

SCHOOLHOUSE

Otto 8" Flush Mount: Stepped Shade

Application: Flush Mount

Product Origin: Processed and assembled in Portland, Oregon using ethically-sourced domestic and global components.

UL Listed: Yes

Max Wattage: 60 W

Voltage: 120/220 V

Dimensions:

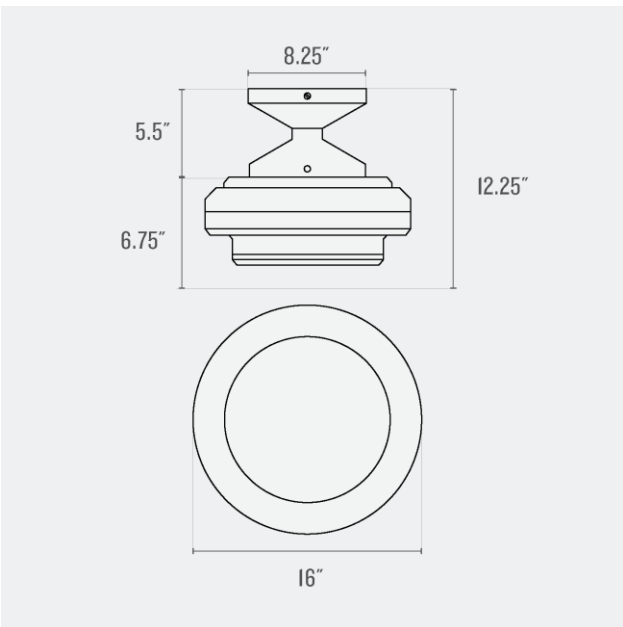
Overall: 12.25" H x 16" W x 16" D

Shade: 6.75" H x 16" W x 16" D

Canopy: 5.5" H x 8.25" W x 8.25" D

Fitter Size: 8"

One year guarantee



SCHOOLHOUSE

Fixture Option(s)



Laurel-Gloss
(LR-G)



Persimmon-Gloss
(PS-G)



Shell White-Gloss
(SWT-G)



Bellini-Gloss
(BN-G)



Butterscotch-Gloss



Chamomile-Gloss
(CE-G)



Natural Brass
(NB)



Black-Gloss
(BK-G)



Alder-Gloss
(AGR-G)



Juniper-Gloss
(JPR-G)



Pool-Gloss
(PL-G)



Pebble-Gloss
(PEB-G)



Lichen-Gloss
(LN-G)

Shade Option(s)



Clear Glass
(CL)



Opal Glass
(OP)

SCHOOLHOUSE

Otto 8" Flush Mount: Acorn Shade



Application: Flush Mount

Product Origin: Processed and assembled in Portland, Oregon using ethically-sourced domestic and global components.

UL Listed: Yes

Max Wattage: 60 W

Voltage: 120/220 V

Dimensions:

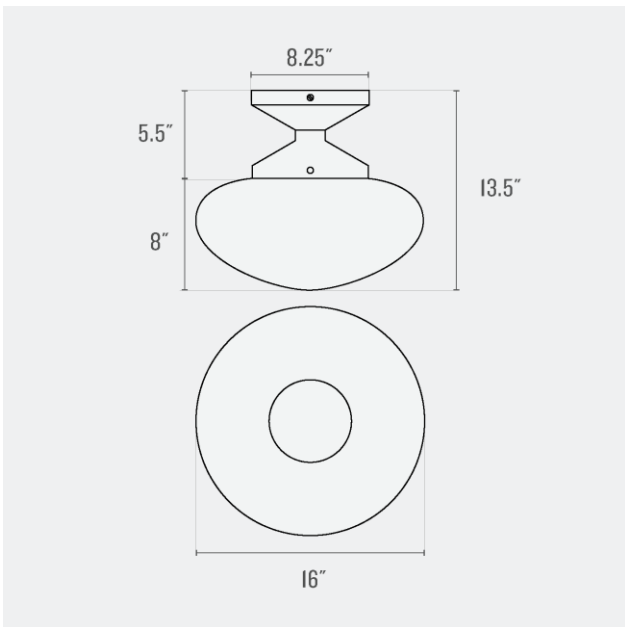
Overall: 13.5" H x 16" W x 16" D

Shade: 8" H x 16" W x 16" D

Canopy: 5.5" H x 8.25" W x 8.25" D

Fitter Size: 8"

One year guarantee



SCHOOLHOUSE

Fixture Option(s)



Natural Brass
(NB)



Laurel-Gloss
(LR-G)



Juniper-Gloss
(JPR-G)



Bellini-Gloss
(BN-G)



Shell White-Gloss
(SWT-G)



Butterscotch-Gloss



Lichen-Gloss
(LN-G)



Pebble-Gloss
(PEB-G)



Pool-Gloss
(PL-G)



Alder-Gloss
(AGR-G)



Chamomile-Gloss
(CE-G)



Black-Gloss
(BK-G)



Persimmon-Gloss
(PS-G)

Shade Option(s)



Opal Glass
(OP)



Clear Glass
(CL)

SCHOOLHOUSE

Otto 8" Flush Mount: Beacon Shade

Application: Flush Mount

Product Origin: Processed and assembled in Portland, Oregon using ethically-sourced domestic and global components.

UL Listed: Yes

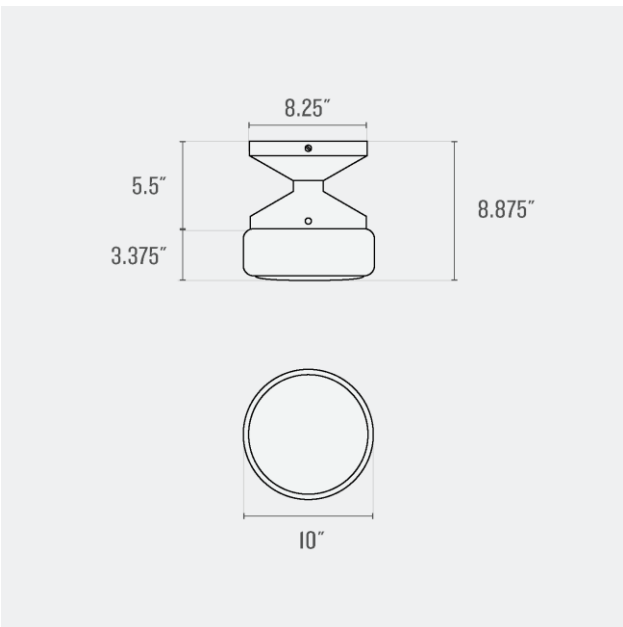
Max Wattage: 60 W

Voltage: 120/220 V

Dimensions:

Overall: 8.875" H x 10" W x 10" D
Shade: 3.375" H x 10" W x 10" D
Canopy: 5.5" H x 8.25" W x 8.25" D
Fitter Size: 8"

One year guarantee



SCHOOLHOUSE

Fixture Option(s)



Black-Gloss
(BK-G)



Pool-Gloss
(PL-G)



Alder-Gloss
(AGR-G)



Bellini-Gloss
(BN-G)



Pebble-Gloss
(PEB-G)



Natural Brass
(NB)



Laurel-Gloss
(LR-G)



Chamomile-Gloss
(CE-G)



Juniper-Gloss
(JPR-G)



Shell White-Gloss
(SWT-G)



Lichen-Gloss
(LN-G)



Persimmon-Gloss
(PS-G)



Butterscotch-Gloss

Shade Option(s)



Opal Glass
(OP)