

# SCHOOLHOUSE

---

## Otto 4" Globe Shade

**Application:** Flush Mount

**Product Origin:** Processed and assembled in Portland, Oregon using ethically-sourced domestic and global components.

**UL Listed:** Yes

**Max Wattage:** 60 W

**Voltage:** 120/220 V

**Dimensions:**

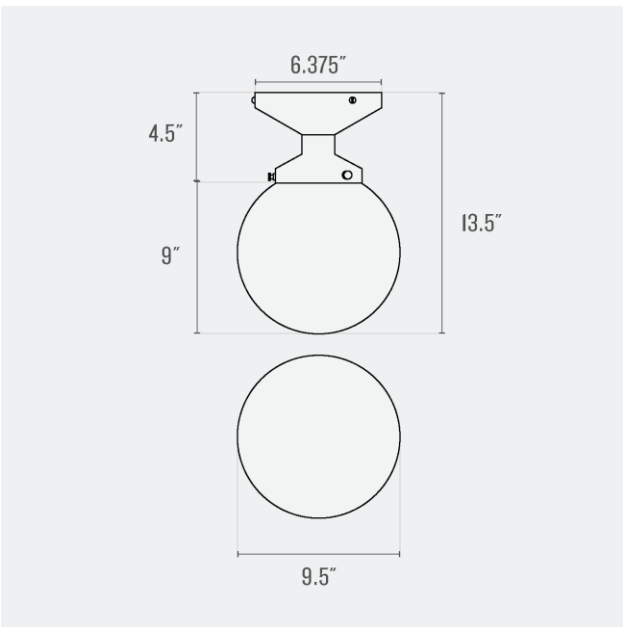
Overall: 13.5" H x 9.5" W x 9.5" D

Shade: 9" H x 9.5" W x 9.5" D

Canopy: 4.5" H x 6.375" W x 6.375" D

Fitter Size: 4"

One year guarantee



# SCHOOLHOUSE

## Fixture Option(s)



Pebble-Gloss  
(PEB-G)



Lichen-Gloss  
(LN-G)



Bellini-Gloss  
(BN-G)



Butterscotch-Gloss



Pool-Gloss  
(PL-G)



Persimmon-Gloss  
(PS-G)



Alder-Gloss  
(AGR-G)



Chamomile-Gloss  
(CE-G)



Black-Gloss  
(BK-G)



Juniper-Gloss  
(JPR-G)



Shell White-Gloss  
(SWT-G)



Laurel-Gloss  
(LR-G)



Natural Brass  
(NB)

## Shade Option(s)



Clear Glass  
(CL)



Opal Glass  
(OP)

# SCHOOLHOUSE

## Otto 4" Fluted Globe Shade



**Application:** Flush Mount

**Product Origin:** Processed and assembled in Portland, Oregon using ethically-sourced domestic and global components.

**UL Listed:** Yes

**Max Wattage:** 60 W

**Voltage:** 120/220 V

**Dimensions:**

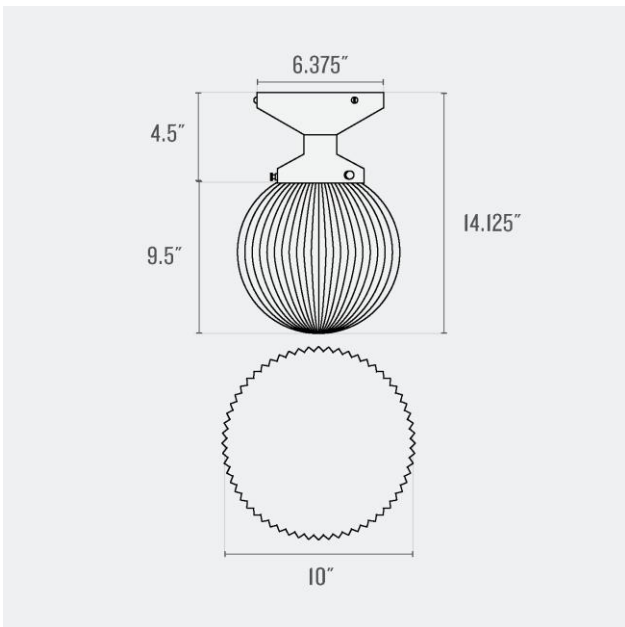
Overall: 14.125" H x 10" W x 10" D

Shade: 9.5" H x 10" W x 10" D

Canopy: 4.5" H x 6.375" W x 6.375" D

Fitter Size: 4"

One year guarantee



# SCHOOLHOUSE

---

## Fixture Option(s)



Black-Gloss  
(BK-G)



Shell White-Gloss  
(SWT-G)



Chamomile-Gloss  
(CE-G)



Butterscotch-Gloss



Persimmon-Gloss  
(PS-G)



Pebble-Gloss  
(PEB-G)



Natural Brass  
(NB)



Juniper-Gloss  
(JPR-G)



Pool-Gloss  
(PL-G)



Bellini-Gloss  
(BN-G)



Laurel-Gloss  
(LR-G)



Lichen-Gloss  
(LN-G)



Alder-Gloss  
(AGR-G)

## Shade Option(s)



Opal Glass  
(OP)



Clear Glass  
(CL)

# SCHOOLHOUSE

## Otto 4" Drum Shade



**Application:** Flush Mount

**Product Origin:** Processed and assembled in Portland, Oregon using ethically-sourced domestic and global components.

**UL Listed:** Yes

**Max Wattage:** 60 W

**Voltage:** 120/220 V

**Dimensions:**

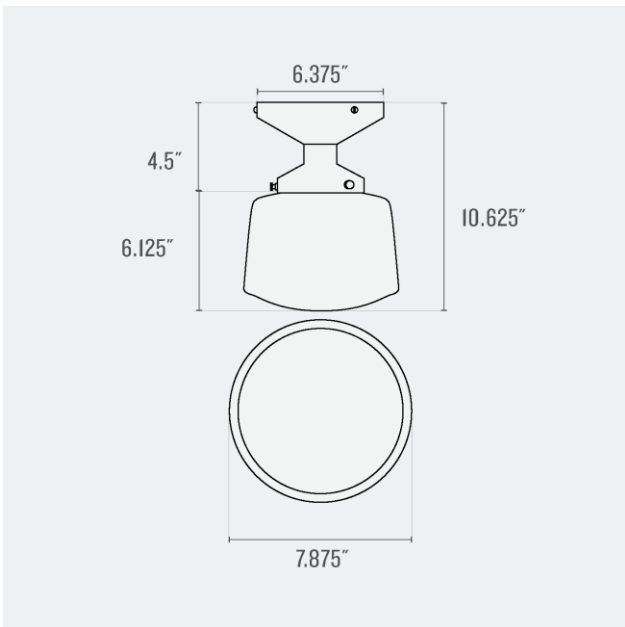
Overall: 10.625" H x 7.875" W x 7.875" D

Shade: 6.125" H x 7.875" W x 7.875" D

Canopy: 4.5" H x 6.375" W x 6.375" D

Fitter Size: 4"

One year guarantee



# SCHOOLHOUSE

---

## Fixture Option(s)



Pool-Gloss  
(PL-G)



Shell White-Gloss  
(SWT-G)



Persimmon-Gloss  
(PS-G)



Juniper-Gloss  
(JPR-G)



Alder-Gloss  
(AGR-G)



Black-Gloss  
(BK-G)



Chamomile-Gloss  
(CE-G)



Pebble-Gloss  
(PEB-G)



Bellini-Gloss  
(BN-G)



Butterscotch-Gloss



Laurel-Gloss  
(LR-G)



Lichen-Gloss  
(LN-G)



Natural Brass  
(NB)

## Shade Option(s)



Opal Glass  
(OP)



Clear Glass  
(CL)

# SCHOOLHOUSE

## Otto 4" Ellipse Shade

**Application:** Flush Mount

**Product Origin:** Processed and assembled in Portland, Oregon using ethically-sourced domestic and global components.

**UL Listed:** Yes

**Max Wattage:** 60 W

**Voltage:** 120/220 V

**Dimensions:**

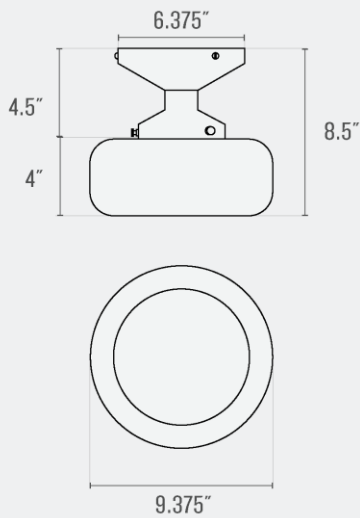
Overall: 8.5" H x 9.375" W x 9.375" D

Shade: 4" H x 9.375" W x 9.375" D

Canopy: 4.5" H x 6.375" W x 6.375" D

Fitter Size: 4"

One year guarantee



# SCHOOLHOUSE

## Fixture Option(s)



Butterscotch-Gloss



Natural Brass (NB)



Pebble-Gloss (PEB-G)



Juniper-Gloss (JPR-G)



Bellini-Gloss (BN-G)



Pool-Gloss (PL-G)



Chamomile-Gloss (CE-G)



Black-Gloss (BK-G)



Alder-Gloss (AGR-G)



Shell White-Gloss (SWT-G)



Laurel-Gloss (LR-G)



Persimmon-Gloss (PS-G)



Lichen-Gloss (LN-G)

## Shade Option(s)



Clear Glass (CL)



Opal Glass (OP)



# SCHOOLHOUSE

---

## Otto 4" Acorn Shade

**Application:** Flush Mount

**Product Origin:** Processed and assembled in Portland, Oregon using ethically-sourced domestic and global components.

**UL Listed:** Yes

**Max Wattage:** 60 W

**Voltage:** 120/220 V

**Dimensions:**

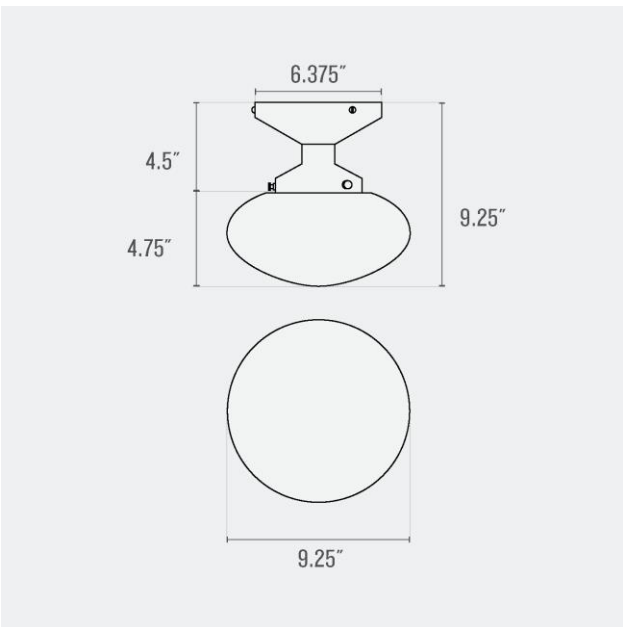
Overall: 9.25" H x 9.25" W x 9.25" D

Shade: 4.75" H x 9.25" W x 9.25" D

Canopy: 4.5" H x 6.375" W x 6.375" D

Fitter Size: 4"

One year guarantee



# SCHOOLHOUSE

---

## Fixture Option(s)



Pool-Gloss  
(PL-G)



Shell White-Gloss  
(SWT-G)



Persimmon-Gloss  
(PS-G)



Juniper-Gloss  
(JPR-G)



Alder-Gloss  
(AGR-G)



Black-Gloss  
(BK-G)



Chamomile-Gloss  
(CE-G)



Pebble-Gloss  
(PEB-G)



Bellini-Gloss  
(BN-G)



Butterscotch-Gloss



Laurel-Gloss  
(LR-G)



Lichen-Gloss  
(LN-G)



Natural Brass  
(NB)

## Shade Option(s)



Opal Glass  
(OP)



Clear Glass  
(CL)

# SCHOOLHOUSE

---

## Otto 4" Stepped Shade



**Application:** Flush Mount

**Product Origin:** Processed and assembled in Portland, Oregon using ethically-sourced domestic and global components.

**UL Listed:** Yes

**Max Wattage:** 60 W

**Voltage:** 120/220 V

**Dimensions:**

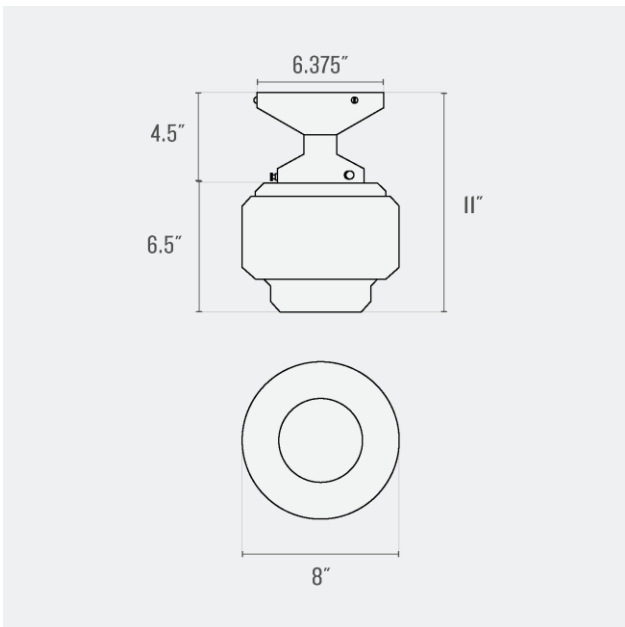
Overall: 11" H x 8" W x 8" D

Shade: 6.5" H x 8" W x 8" D

Canopy: 4.5" H x 6.375" W x 6.375" D

Fitter Size: 4"

One year guarantee



# SCHOOLHOUSE

---

## Fixture Option(s)



Pool-Gloss  
(PL-G)



Shell White-Gloss  
(SWT-G)



Persimmon-Gloss  
(PS-G)



Juniper-Gloss  
(JPR-G)



Alder-Gloss  
(AGR-G)



Black-Gloss  
(BK-G)



Chamomile-Gloss  
(CE-G)



Pebble-Gloss  
(PEB-G)



Bellini-Gloss  
(BN-G)



Butterscotch-Gloss



Laurel-Gloss  
(LR-G)



Lichen-Gloss  
(LN-G)



Natural Brass  
(NB)

## Shade Option(s)



Opal Glass  
(OP)



Clear Glass  
(CL)