

# SCHOOLHOUSE

## Otto 2.25" Rod Pendant: Fluted Globe Shade

**Application:** Pendant

**Product Origin:** Processed and assembled in Portland, Oregon using ethically-sourced domestic and global components.

**UL Listed:** Yes

**Max Wattage:** 60 W

**Voltage:** 120/220 V

**Dimensions:**

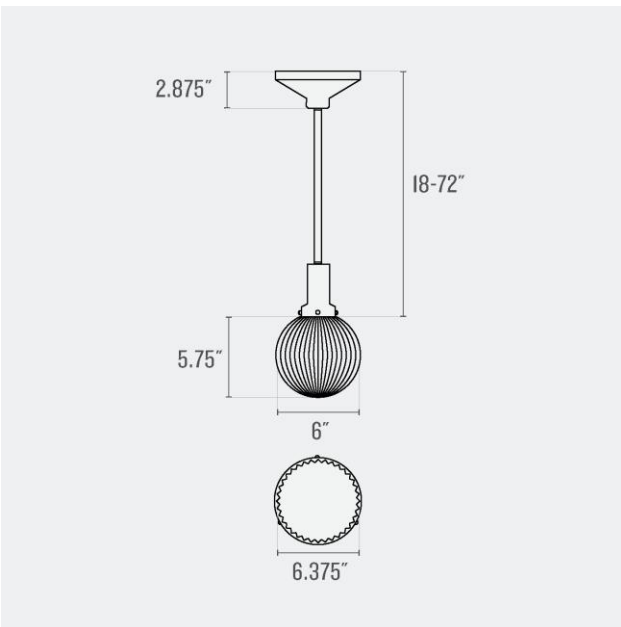
Choice of Length: 18 - 72"

Overall: 6.375" W x 6.375" D

Shade: 5.75" H x 6" W x 6" D

Canopy: 2.875" H x 6.375" W x 6.375" D

One year guarantee



# SCHOOLHOUSE

---

## Fixture Option(s)



Natural Brass  
(NB)



Juniper-Gloss  
(JPR-G)



Chamomile-Gloss  
(CE-G)



Bellini-Gloss  
(BN-G)



Pool-Gloss  
(PL-G)



Persimmon-Gloss  
(PS-G)



Black-Gloss  
(BK-G)



Laurel-Gloss  
(LR-G)



Pebble-Gloss  
(PEB-G)



Shell White-Gloss  
(SWT-G)



Alder-Gloss  
(AGR-G)



Butterscotch-Gloss



Lichen-Gloss  
(LN-G)

## Shade Option(s)



Clear Glass  
(CL)



Opal Glass  
(OP)

# SCHOOLHOUSE

## Otto 2.25" Rod Pendant: Acorn Shade

**Application:** Pendant

**Product Origin:** Processed and assembled in Portland, Oregon using ethically-sourced domestic and global components.

**UL Listed:** Yes

**Max Wattage:** 60 W

**Voltage:** 120/220 V

**Dimensions:**

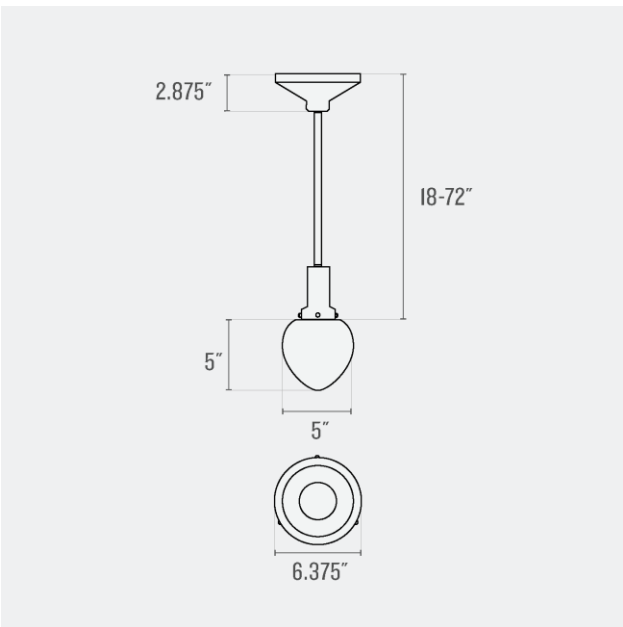
Choice of Length: 18 - 72"

Overall: 6.375" W x 6.375" D

Shade: 5" H x 5" W x 5" D

Canopy: 2.875" H x 6.375" W x 6.375" D

One year guarantee



# SCHOOLHOUSE

## Fixture Option(s)



Butterscotch-Gloss



Natural Brass (NB)



Juniper-Gloss (JPR-G)



Pebble-Gloss (PEB-G)



Chamomile-Gloss (CE-G)



Shell White-Gloss (SWT-G)



Black-Gloss (BK-G)



Laurel-Gloss (LR-G)



Alder-Gloss (AGR-G)



Pool-Gloss (PL-G)



Lichen-Gloss (LN-G)



Persimmon-Gloss (PS-G)



Bellini-Gloss (BN-G)

## Shade Option(s)



Clear Glass (CL)



Opal Glass (OP)

# SCHOOLHOUSE

## Otto 2.25" Rod Pendant: Stepped Shade

**Application:** Pendant

**Product Origin:** Processed and assembled in Portland, Oregon using ethically-sourced domestic and global components.

**UL Listed:** Yes

**Max Wattage:** 60 W

**Voltage:** 120/220 V

**Dimensions:**

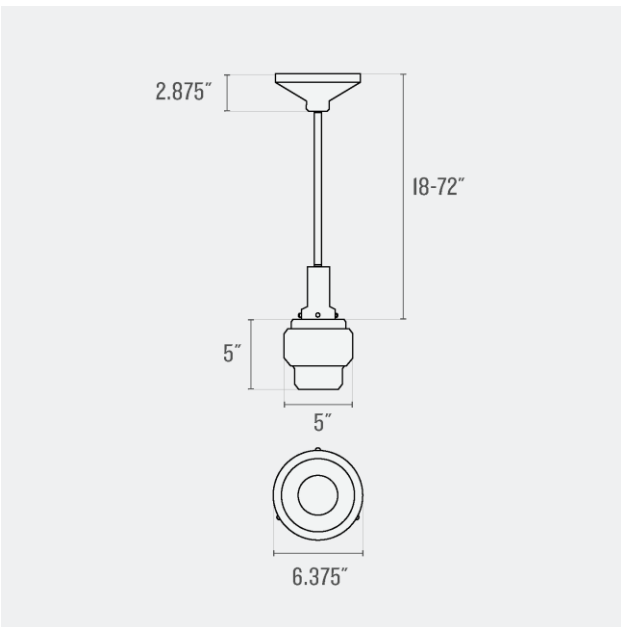
Choice of Length: 18 - 72"

Overall: 6.375" W x 6.375" D

Shade: 5" H x 5" W x 5" D

Canopy: 2.875" H x 6.375" W x 6.375" D

One year guarantee



# SCHOOLHOUSE

## Fixture Option(s)



Shell White-Gloss  
(SWT-G)



Pool-Gloss  
(PL-G)



Chamomile-Gloss  
(CE-G)



Black-Gloss  
(BK-G)



Pebble-Gloss  
(PEB-G)



Persimmon-Gloss  
(PS-G)



Juniper-Gloss  
(JPR-G)



Alder-Gloss  
(AGR-G)



Butterscotch-Gloss



Lichen-Gloss  
(LN-G)



Laurel-Gloss  
(LR-G)



Natural Brass  
(NB)



Bellini-Gloss  
(BN-G)

## Shade Option(s)



Opal Glass  
(OP)



Clear Glass  
(CL)

# SCHOOLHOUSE

## Otto 2.25" Rod Pendant: Closed Globe Shade

**Application:** Pendant

**Product Origin:** Processed and assembled in Portland, Oregon using ethically-sourced domestic and global components.

**UL Listed:** Yes

**Max Wattage:** 60 W

**Voltage:** 120/220 V

**Dimensions:**

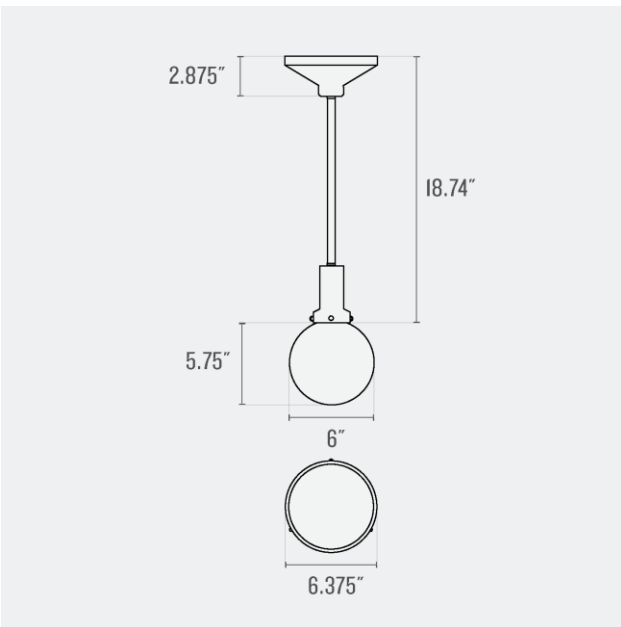
Choice of Length: 18 - 72"

Overall: 6.375" W x 6.375" D

Shade: 5.75" H x 6" W x 6" D

Canopy: 2.875" H x 6.375" W x 6.375" D

One year guarantee



# SCHOOLHOUSE

---

## Fixture Option(s)



Chamomile-Gloss  
(CE-G)



Persimmon-Gloss  
(PS-G)



Butterscotch-Gloss



Black-Gloss  
(BK-G)



Lichen-Gloss  
(LN-G)



Pool-Gloss  
(PL-G)



Laurel-Gloss  
(LR-G)



Natural Brass  
(NB)



Bellini-Gloss  
(BN-G)



Pebble-Gloss  
(PEB-G)



Alder-Gloss  
(AGR-G)



Shell White-Gloss  
(SWT-G)



Juniper-Gloss  
(JPR-G)

## Shade Option(s)



Opal Glass  
(OP)



Clear Glass  
(CL)



# SCHOOLHOUSE

## Otto 2.25" Rod Pendant: Wide Cone Shade

**Application:** Pendant

**Product Origin:** Processed and assembled in Portland, Oregon using ethically-sourced domestic and global components.

**UL Listed:** Yes

**Max Wattage:** 60 W

**Voltage:** 120/220 V

**Dimensions:**

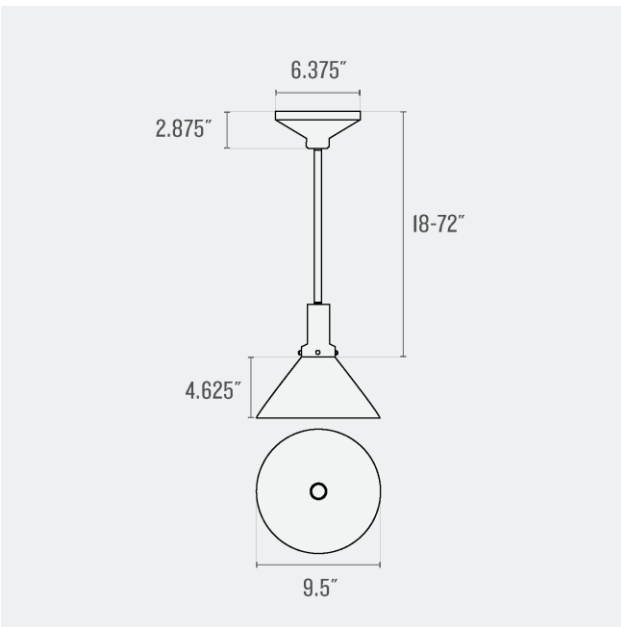
Choice of Length: 18 - 72"

Overall: 9.5" W x 9.5" D

Shade: 4.625" H x 9.5" W x 9.5" D

Canopy: 2.875" H x 6.375" W x 6.375" D

One year guarantee



# SCHOOLHOUSE

---

## Fixture Option(s)



Alder-Gloss  
(AGR-G)



Butterscotch-Gloss



Bellini-Gloss  
(BN-G)



Natural Brass  
(NB)



Lichen-Gloss  
(LN-G)



Chamomile-Gloss  
(CE-G)



Pebble-Gloss  
(PEB-G)



Shell White-Gloss  
(SWT-G)



Persimmon-Gloss  
(PS-G)



Pool-Gloss  
(PL-G)



Laurel-Gloss  
(LR-G)



Black-Gloss  
(BK-G)



Juniper-Gloss  
(JPR-G)

## Shade Option(s)



Opal Glass  
(OP)



Clear Glass  
(CL)

# SCHOOLHOUSE

## Otto 2.25" Rod Pendant: Saucer Shade

**Application:** Pendant

**Product Origin:** Processed and assembled in Portland, Oregon using ethically-sourced domestic and global components.

**UL Listed:** Yes

**Max Wattage:** 60 W

**Voltage:** 120/220 V

**Dimensions:**

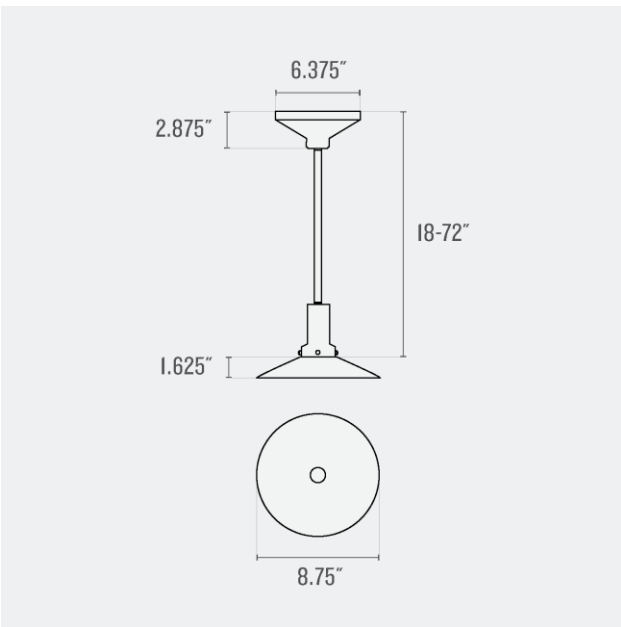
Choice of Length: 18 - 72"

Overall: 8.75" W x 8.75" D

Shade: 1.625" H x 8.75" W x 8.75" D

Canopy: 2.875" H x 6.375" W x 6.375" D

One year guarantee



# SCHOOLHOUSE

---

## Fixture Option(s)



Chamomile-Gloss  
(CE-G)



Pool-Gloss  
(PL-G)



Shell White-Gloss  
(SWT-G)



Natural Brass  
(NB)



Lichen-Gloss  
(LN-G)



Alder-Gloss  
(AGR-G)



Pebble-Gloss  
(PEB-G)



Black-Gloss  
(BK-G)



Juniper-Gloss  
(JPR-G)



Bellini-Gloss  
(BN-G)



Laurel-Gloss  
(LR-G)



Persimmon-Gloss  
(PS-G)



Butterscotch-Gloss

## Shade Option(s)



Opal Glass  
(OP)



Clear Glass  
(CL)