

# SCHOOLHOUSE

## Union Pendant 6"

**Application:** Pendant

**Product Origin:** Processed and assembled in Portland, Oregon using ethically-sourced domestic and global components.

**UL Listed:** Yes

**Max Wattage:** 100 W

**Voltage:** 120/220 V

**Location Rating:** Damp

**Dimensions:**

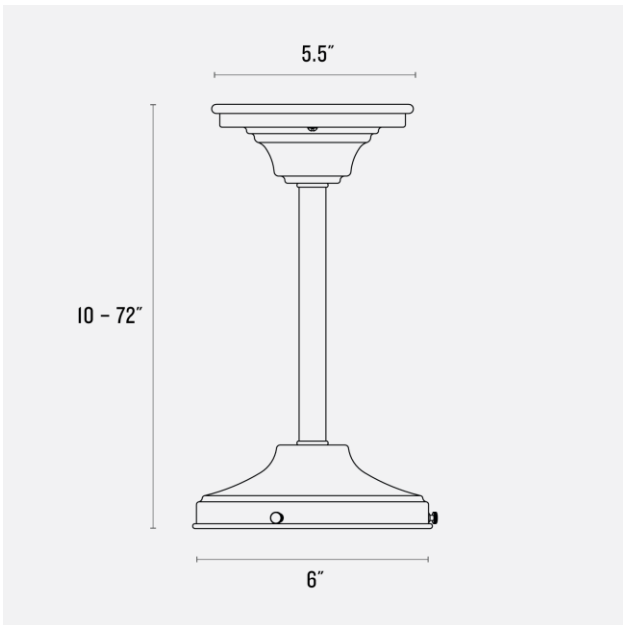
Diameter: 6.5"

Canopy Width: 5.5"

Fitter Size: 6"

**Materials:** Brass

One year guarantee



### Finish Options



Satin Nickel  
(SN)



Polished Nickel  
(PN)



True Black  
(TB)



Natural Brass  
(NB)