

SCHOOLHOUSE

Union Pendant 4"

Application: Pendant

Product Origin: Processed and assembled in Portland, Oregon using ethically-sourced domestic and global components.

UL Listed: Yes

Max Wattage: 100 W

Voltage: 120/220 V

Location Rating: Damp

Dimensions:

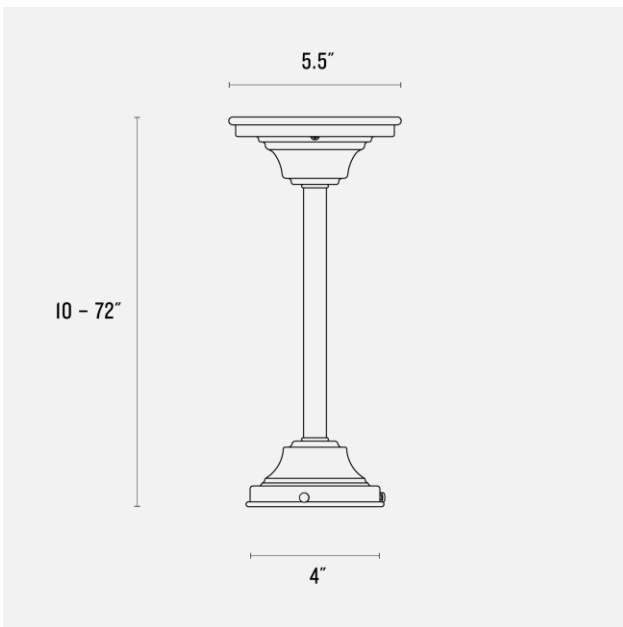
Diameter: 5.5"

Canopy Width: 5.5"

Fitter Size: 4"

Materials: Brass

One year guarantee



Finish Options



Polished Nickel
(PN)



Natural Brass
(NB)



True Black
(TB)



Satin Nickel
(SN)