

SCHOOLHOUSE

Princeton Mid Sconce, Domed Turtle Shade

Application: Wall Sconce

Product Origin: Processed and assembled in Portland, Oregon using ethically-sourced domestic and global components.

UL Listed: Yes

Max Wattage: 40 W

Voltage: 120 / 220 V

Location Rating: Damp

Dimensions:

Overall: 5" - 15.125" H X 5" W X 3.5" - 14.875" D

Shade: 3.38" H X 4.625" W X 5.5" D

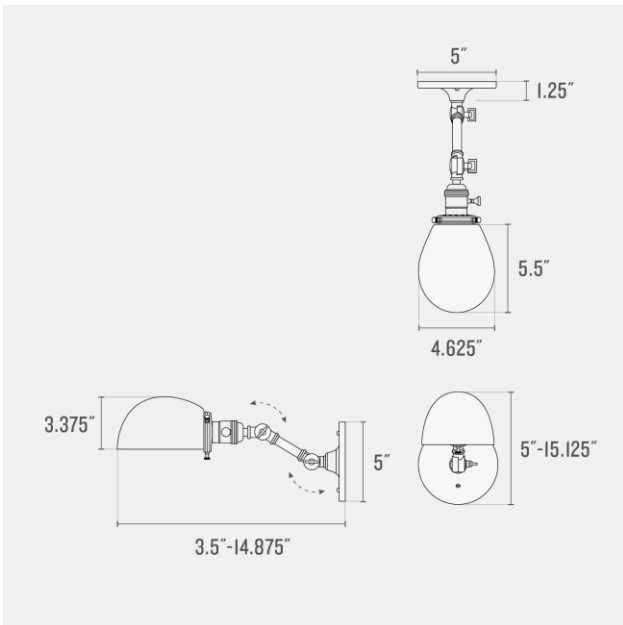
Canopy 5" H X 5" W X 1.25" D

Materials: Brass, Glass

Switch Type: Rotary

Switch Location: On Socket

One year guarantee



Finish Options



True Black
(TB)



Natural Brass
(NB)

Shade Options



Opal Glass
(OP)

SCHOOLHOUSE

Princeton Mid Sconce, Metal Bell Shade



Application: Wall Sconce

Product Origin: Processed and assembled in Portland, Oregon using ethically-sourced domestic and global components.

UL Listed: Yes

Max Wattage: 40 W

Voltage: 120 / 220 V

Location Rating: Damp

Dimensions:

Overall: 7" - 14.75" H X 7" W X 7" - 14" D

Shade: 7" H X 7" W X 4.75" D

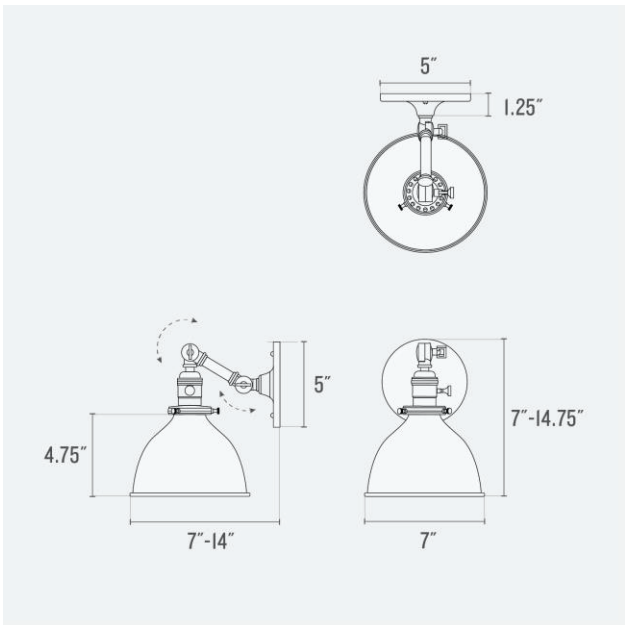
Canopy 5" H X 5" W X 1.25" D

Materials: Brass, Steel

Switch Type: Rotary

Switch Location: On Socket

One year guarantee



Finish Options



Natural Brass
(NB)



True Black
(TB)

Shade Options



White
(WT)



Natural Brass
(NB)



Navy
(NV)



True Black
(TB)



Black, Gloss
(BkG)



Sergeant Green
(SG)



Persimmon
(RD)

SCHOOLHOUSE

Princeton Mid Sconce, Metal Dish Shade



Application: Wall Sconce

Product Origin: Processed and assembled in Portland, Oregon using ethically-sourced domestic and global components.

UL Listed: Yes

Max Wattage: 40 W

Voltage: 120 / 220 V

Location Rating: Damp

Dimensions:

Overall: 10" - 12.25" H X 10" W X 10" - 10.75" D

Shade: 1.5" H X 10" W X 10" D

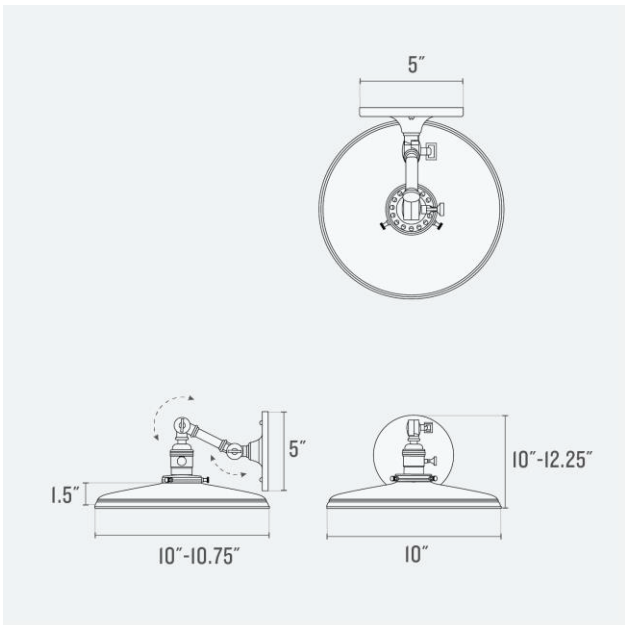
Canopy 5" H X 5" W X 1.25" D

Materials: Brass, Steel

Switch Type: Rotary

Switch Location: On Socket

One year guarantee



Finish Options



True Black
(TB)



Natural Brass
(NB)

Shade Options



Navy
(NV)



Persimmon
(RD)



Natural Brass
(NB)



True Black
(TB)



White
(WT)



Sergeant Green
(SG)



Black, Gloss
(BkG)

SCHOOLHOUSE

Princeton Mid Sconce, Metal Slim Cone Shade



Application: Wall Sconce

Product Origin: Processed and assembled in Portland, Oregon using ethically-sourced domestic and global components.

UL Listed: Yes

Max Wattage: 40 W

Voltage: 120 / 220 V

Location Rating: Damp

Dimensions:

Overall: 7.25" - 14.875" H X 7.25" W X 7.25" - 14.125" D

Shade: 7.25" H X 7.25" W X 4.8" D

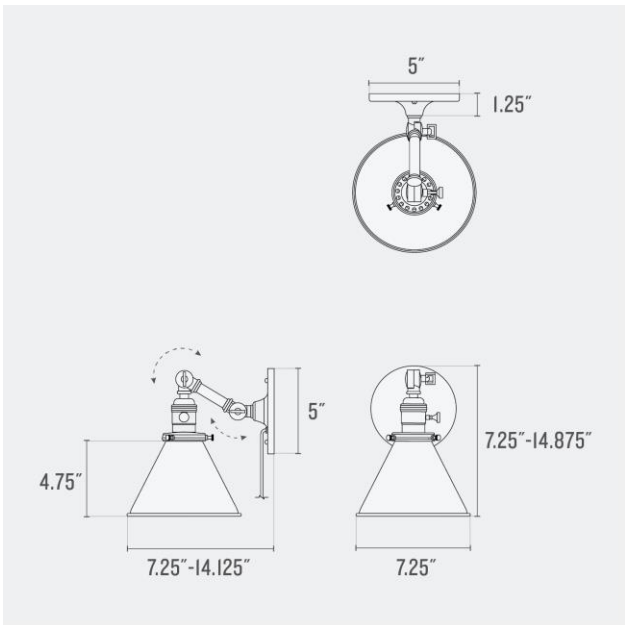
Canopy 5" H X 5" W X 1.25" D

Materials: Brass

Switch Type: Rotary

Switch Location: On Socket

One year guarantee



Finish Options



Natural Brass
(NB)



True Black
(TB)

Shade Options



True Black
(TB)



Natural Brass
(NB)

SCHOOLHOUSE

Princeton Mid Sconce, Open Globe Shade



Application: Wall Sconce

Product Origin: Processed and assembled in Portland, Oregon using ethically-sourced domestic and global components.

UL Listed: Yes

Max Wattage: 40 W

Voltage: 120 / 220 V

Location Rating: Damp

Dimensions:

Overall: 8" - 16.625" H X 8" W X 8" - 16" D

Shade: 8" H X 8" W X 6.75" D

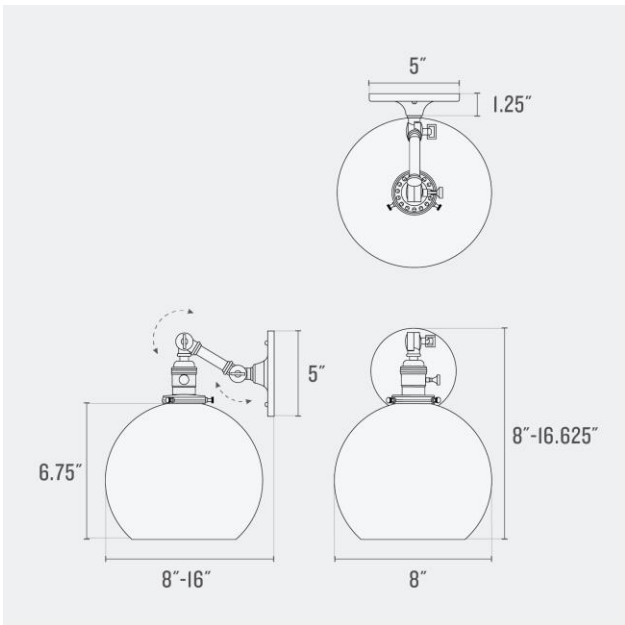
Canopy 5" H X 5" W X 1.25" D

Materials: Brass, Glass

Switch Type: Rotary

Switch Location: On Socket

One year guarantee



Finish Options



Natural Brass
(NB)



True Black
(TB)

Shade Options



Opal Glass
(OP)



Clear Glass
(CL)

SCHOOLHOUSE

Princeton Mid Sconce, Saucer Shade

Application: Wall Sconce

Product Origin: Processed and assembled in Portland, Oregon using ethically-sourced domestic and global components.

UL Listed: Yes

Max Wattage: 40 W

Voltage: 120 / 220 V

Location Rating: Damp

Dimensions:

Overall: 8.75" - 12.125" H X 8.75" W X 8.75" - 11" D

Shade: 8.75" H X 8.75" W X 1.625" D

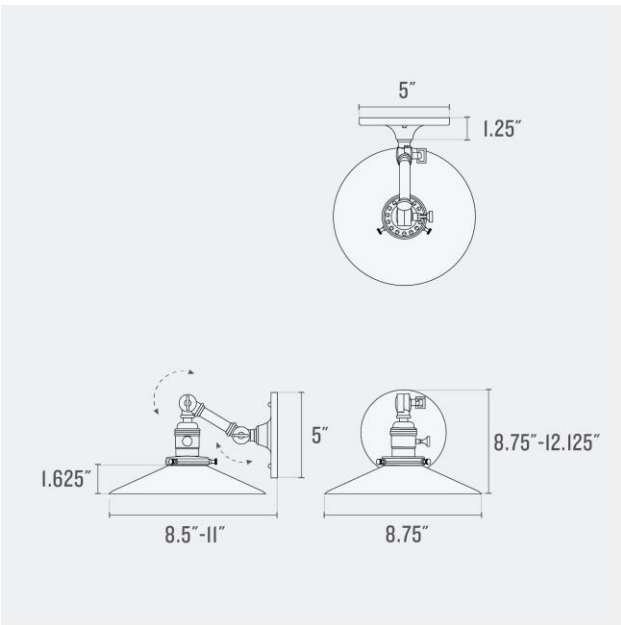
Canopy 5" H X 5" W X 1.25" D

Materials: Brass, Glass

Switch Type: Rotary

Switch Location: On Socket

One year guarantee



Finish Options



Natural Brass
(NB)



True Black
(TB)

Shade Options



Opal Glass
(OP)



Clear Glass
(CL)

SCHOOLHOUSE

Princeton Mid Sconce, Slim Cone Shade



Application: Wall Sconce

Product Origin: Processed and assembled in Portland, Oregon using ethically-sourced domestic and global components.

UL Listed: Yes

Max Wattage: 40 W

Voltage: 120 / 220 V

Location Rating: Damp

Dimensions:

Overall: 6.625" H X 6.625" W X 6.625" - 14" D

Shade: 6.625" H X 6.625" W X 4.625" D

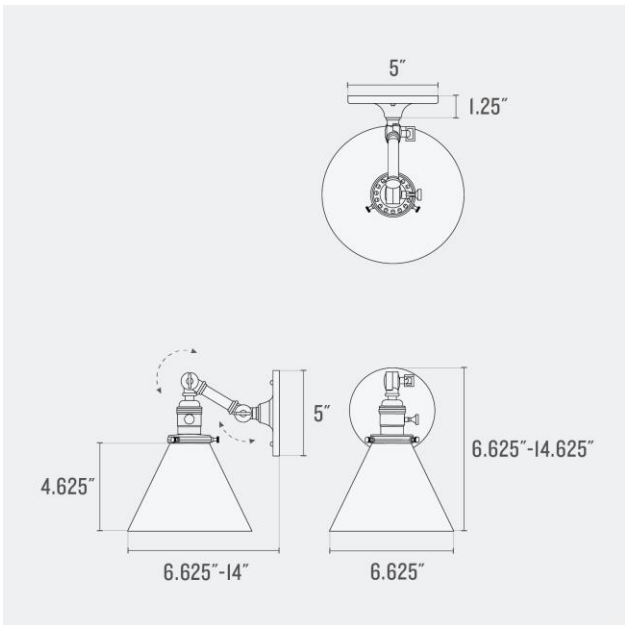
Canopy 5" H X 5" W X 1.25" D

Materials: Brass, Glass

Switch Type: Rotary

Switch Location: On Socket

One year guarantee



Finish Options



True Black
(TB)



Natural Brass
(NB)

Shade Options



Clear Glass
(CL)



Opal Glass
(OP)

SCHOOLHOUSE

Princeton Mid Sconce, Straight Bell Shade

Application: Wall Sconce

Product Origin: Processed and assembled in Portland, Oregon using ethically-sourced domestic and global components.

UL Listed: Yes

Max Wattage: 40 W

Voltage: 120 / 220 V

Location Rating: Damp

Dimensions:

Overall: 5" - 14.375" H X 5" W X 4.375" - 14" D

Shade: 4.375" H X 4.375" W X 4.625" D

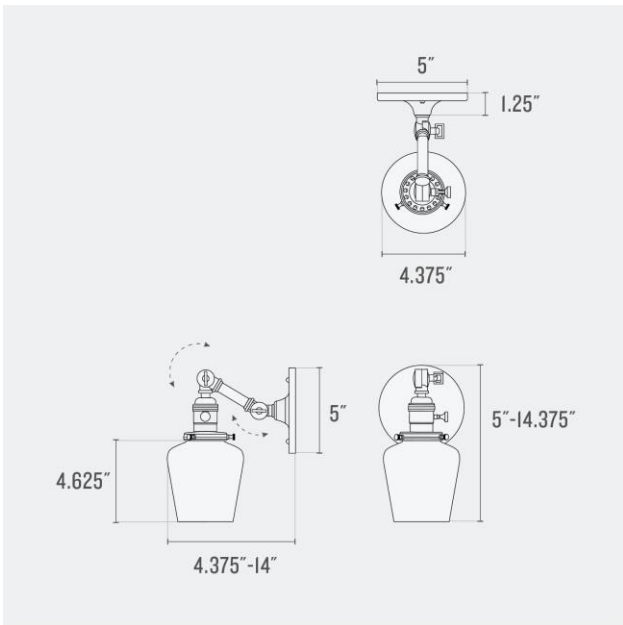
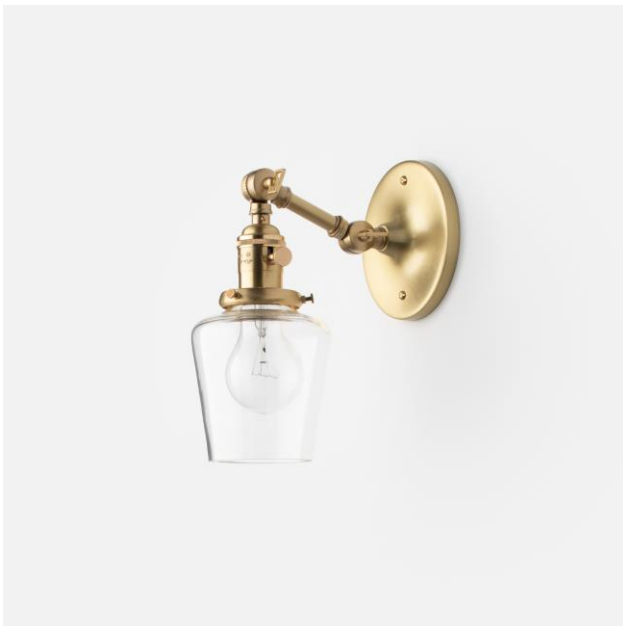
Canopy 5" H X 5" W X 1.25" D

Materials: Brass, Glass

Switch Type: Rotary

Switch Location: On Socket

One year guarantee



Finish Options



True Black
(TB)



Natural Brass
(NB)

Shade Options



Opal Glass
(OP)



Clear Glass
(CL)

SCHOOLHOUSE

Princeton Mid Sconce, Wide Cone Shade

Application: Wall Sconce

Product Origin: Processed and assembled in Portland, Oregon using ethically-sourced domestic and global components.

UL Listed: Yes

Max Wattage: 40 W

Voltage: 120 / 220 V

Location Rating: Damp

Dimensions:

Overall: 9.5" - 15.5" H X 9.5" W X 9.375" - 14.5" D

Shade: 9.5" H X 9.5" W X 5" D

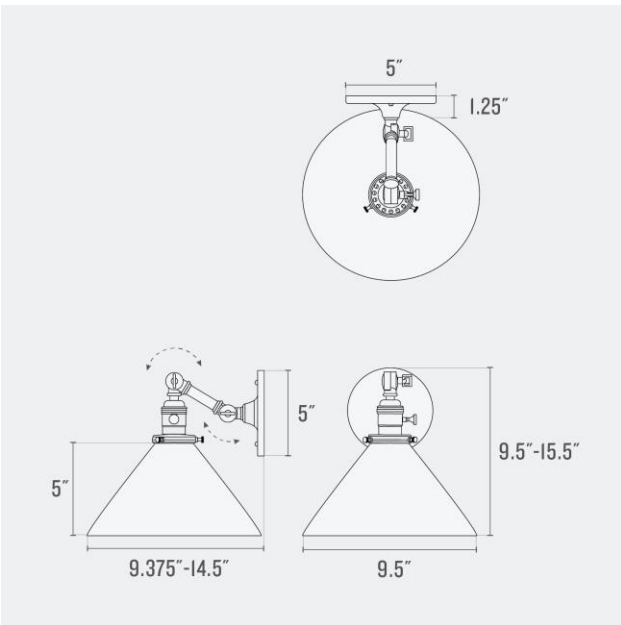
Canopy 5" H X 5" W X 1.25" D

Materials: Brass, Glass

Switch Type: Rotary

Switch Location: On Socket

One year guarantee



Finish Options



True Black
(TB)



Natural Brass
(NB)

Shade Options



Clear Glass
(CL)



Opal Glass
(OP)