

SCHOOLHOUSE

Princeton Mid Plug-In, Domed Turtle Shade



Application: Wall Sconce

Product Origin: Processed and assembled in Portland, Oregon using ethically-sourced domestic and global components.

UL Listed: Yes

Max Wattage: 40 W

Voltage: 120 / 220 V

Location Rating: Damp

Dimensions:

Overall: 5" - 15.125" H X 5" W X 3.5" - 14.875" D

Shade: 3.38" H X 4.625" W X 5.5" D

Canopy 5" H X 5" W X 1.25" D

Materials: Brass, Glass

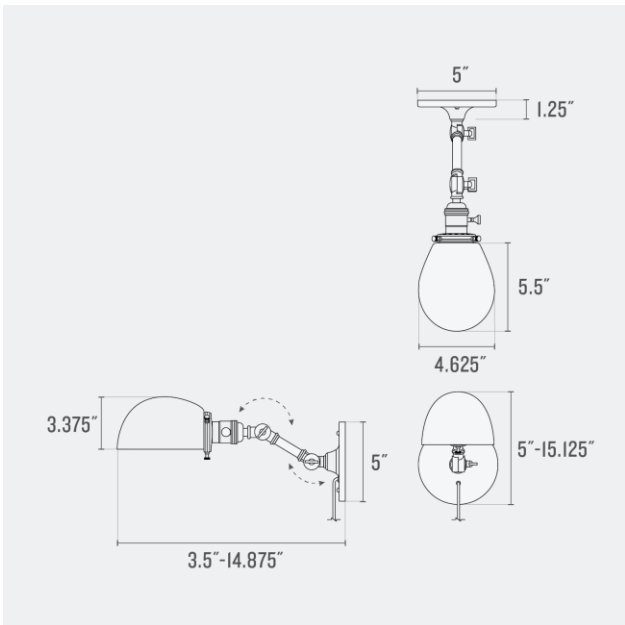
Details: True Black Finish Includes Black Cord
Natural Brass Finish Includes Khaki Cord

Cord Length: 8 Feet

Switch Type: Rotary

Switch Location: On Socket

One year guarantee



Finish Options



True Black
(TB)



Natural Brass
(NB)

Shade Options



Opal Glass
(OP)

SCHOOLHOUSE

Princeton Mid Plug-In, Metal Bell Shade



Application: Wall Sconce

Product Origin: Processed and assembled in Portland, Oregon using ethically-sourced domestic and global components.

UL Listed: Yes

Max Wattage: 40 W

Voltage: 120 / 220 V

Location Rating: Damp

Dimensions:

Overall: 7" - 14.75" H X 7" W X 7" - 14" D

Shade: 7" H X 7" W X 4.75" D

Canopy 5" H X 5" W X 1.25" D

Materials: Brass, Steel

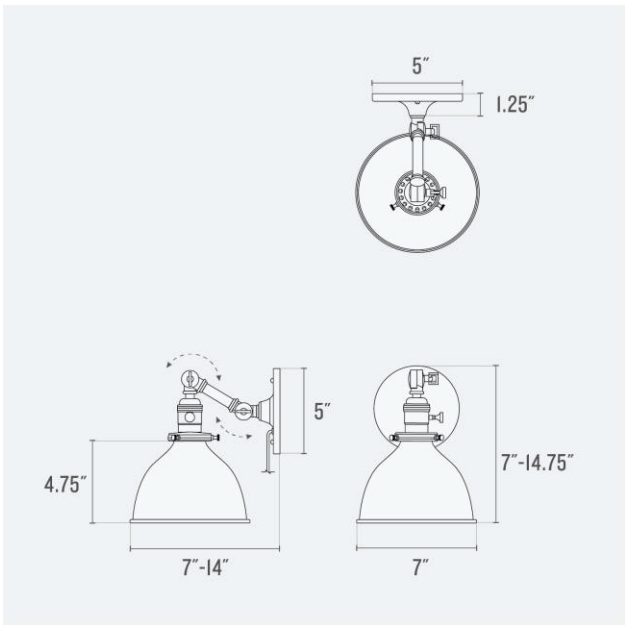
Details: True Black Finish Includes Black Cord
Natural Brass Finish Includes Khaki Cord

Cord Length: 8 Feet

Switch Type: Rotary

Switch Location: On Socket

One year guarantee



Finish Options



True Black (TB)



Natural Brass (NB)

Shade Options



White (WT)



Navy (NV)



Natural Brass (NB)



True Black (TB)



Black, Gloss (BkG)



Sergeant Green (SG)



Persimmon (RD)

SCHOOLHOUSE

Princeton Mid Plug-In, Metal Dish Shade



Application: Wall Sconce

Product Origin: Processed and assembled in Portland, Oregon using ethically-sourced domestic and global components.

UL Listed: Yes

Max Wattage: 40 W

Voltage: 120 / 220 V

Location Rating: Damp

Dimensions:

Overall: 10" - 12.25" H X 10" W X 10" - 10.75" D

Shade: 1.5" H X 10" W X 10" D

Canopy 5" H X 5" W X 1.25" D

Materials: Brass, Steel

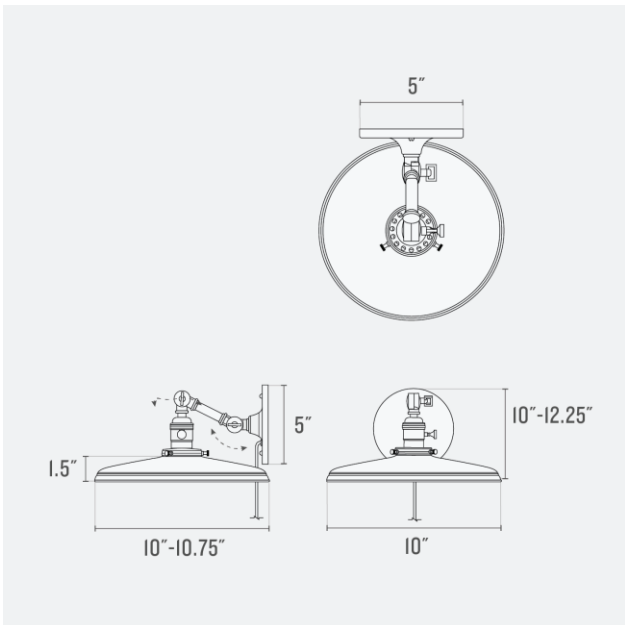
Details: True Black Finish Includes Black Cord
Natural Brass Finish Includes Khaki Cord

Cord Length: 8 Feet

Switch Type: Rotary

Switch Location: On Socket

One year guarantee



Finish Options



True Black (TB)



Natural Brass (NB)

Shade Options



Navy (NV)



Persimmon (RD)



Sergeant Green (SG)



True Black (TB)



Natural Brass (NB)



Black, Gloss (BkG)



White (WT)

SCHOOLHOUSE

Princeton Mid Plug-In, Metal Slim Cone Shade



Application: Wall Sconce

Product Origin: Processed and assembled in Portland, Oregon using ethically-sourced domestic and global components.

UL Listed: Yes

Max Wattage: 40 W

Voltage: 120 / 220 V

Location Rating: Damp

Dimensions:

Overall: 7.25" - 14.875" H X 7.25" W X 7.25" - 14.125" D

Shade: 7.25" H X 7.25" W X 4.8" D

Canopy 5" H X 5" W X 1.25" D

Materials: Brass

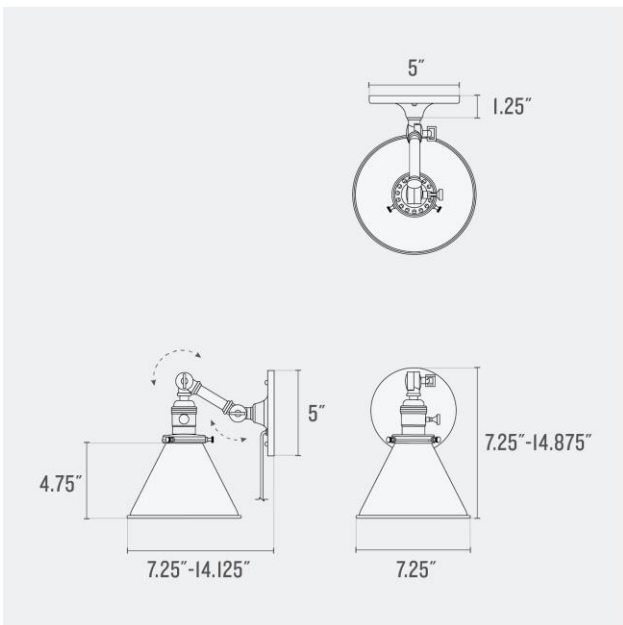
Details: True Black Finish Includes Black Cord
Natural Brass Finish Includes Khaki Cord

Cord Length: 8 Feet

Switch Type: Rotary

Switch Location: On Socket

One year guarantee



Finish Options



Natural Brass
(NB)



True Black
(TB)

Shade Options



True Black
(TB)



Natural Brass
(NB)

SCHOOLHOUSE

Princeton Mid Plug-In, Open Globe Shade



Application: Wall Sconce

Product Origin: Processed and assembled in Portland, Oregon using ethically-sourced domestic and global components.

UL Listed: Yes

Max Wattage: 40 W

Voltage: 120 / 220 V

Location Rating: Damp

Dimensions:

Overall: 8" - 16.625" H X 8" W X 8" - 16" D

Shade: 8" H X 8" W X 6.75" D

Canopy 5" H X 5" W X 1.25" D

Materials: Brass, Glass

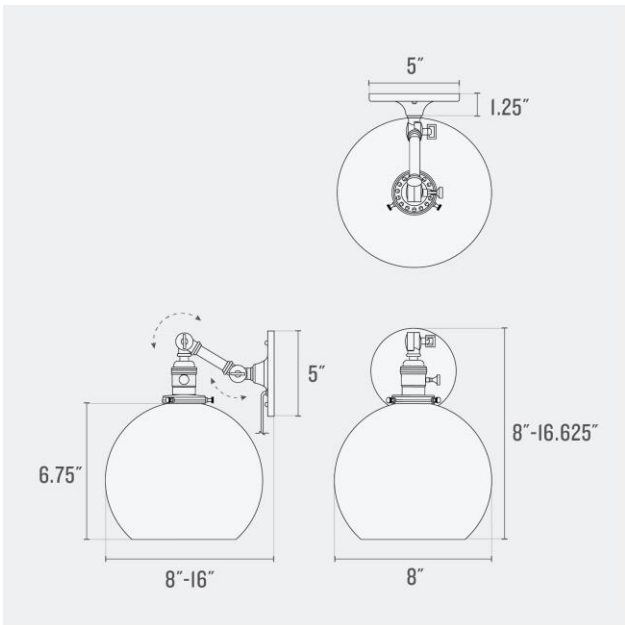
Details: True Black Finish Includes Black Cord
Natural Brass Finish Includes Khaki Cord

Cord Length: 8 Feet

Switch Type: Rotary

Switch Location: On Socket

One year guarantee



Finish Options



True Black
(TB)



Natural Brass
(NB)

Shade Options



Clear Glass
(CL)



Opal Glass
(OP)

SCHOOLHOUSE

Princeton Mid Plug-In, Saucer Shade



Application: Wall Sconce

Product Origin: Processed and assembled in Portland, Oregon using ethically-sourced domestic and global components.

UL Listed: Yes

Max Wattage: 40 W

Voltage: 120 / 220 V

Location Rating: Damp

Dimensions:

Overall: 8.75" - 12.125" H X 8.75" W X 8.5" - 11" D

Shade: 8.75" H X 8.75" W X 1.625" D

Canopy 5" H X 5" W X 1.25" D

Materials: Brass, Glass

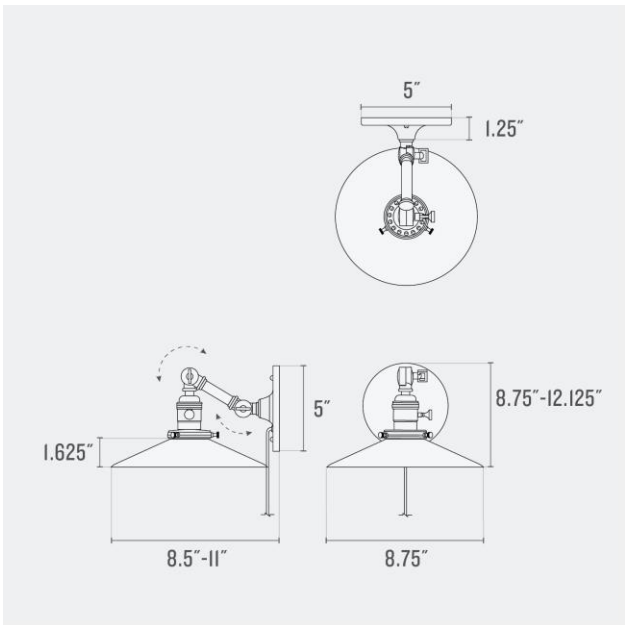
Details: True Black Finish Includes Black Cord
Natural Brass Finish Includes Khaki Cord

Cord Length: 8 Feet

Switch Type: Rotary

Switch Location: On Socket

One year guarantee



Finish Options



Natural Brass
(NB)



True Black
(TB)

Shade Options



Opal Glass
(OP)



Clear Glass
(CL)

SCHOOLHOUSE

Princeton Mid Plug-In, Slim Cone Shade



Application: Wall Sconce

Product Origin: Processed and assembled in Portland, Oregon using ethically-sourced domestic and global components.

UL Listed: Yes

Max Wattage: 40 W

Voltage: 120 / 220 V

Location Rating: Damp

Dimensions:

Overall: 6.625" - 14.625" H X 6.625" W X 6.625" - 14" D

Shade: 6.625" H X 6.625" W X 4.625" D

Canopy 5" H X 5" W X 1.25" D

Materials: Brass, Glass

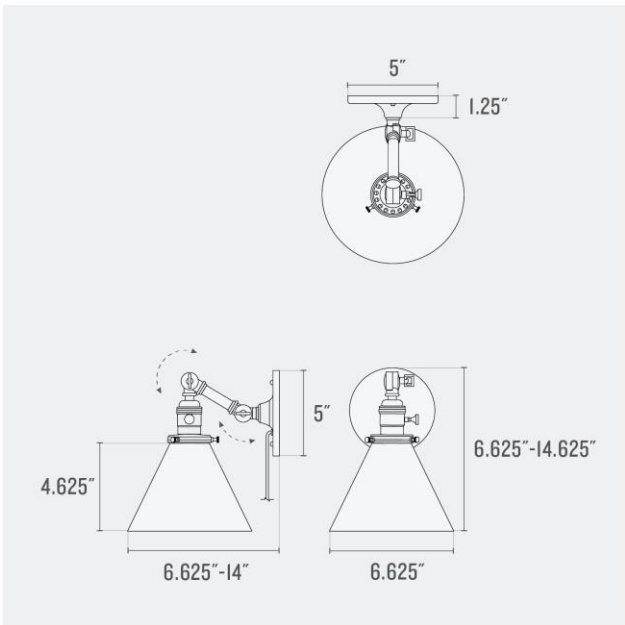
Details: True Black Finish Includes Black Cord
Natural Brass Finish Includes Khaki Cord

Cord Length: 8 Feet

Switch Type: Rotary

Switch Location: On Socket

One year guarantee



Finish Options



Natural Brass
(NB)



True Black
(TB)

Shade Options



Clear Glass
(CL)



Opal Glass
(OP)

SCHOOLHOUSE

Princeton Mid Plug-In, Straight Bell Shade



Application: Wall Sconce

Product Origin: Processed and assembled in Portland, Oregon using ethically-sourced domestic and global components.

UL Listed: Yes

Max Wattage: 40 W

Voltage: 120 / 220 V

Location Rating: Damp

Dimensions:

Overall: 5" - 14.375" H X 5" W X 4.375" - 14" D

Shade: 4.375" H X 4.375" W X 4.625" D

Canopy 5" H X 5" W X 1.25" D

Materials: Brass, Glass

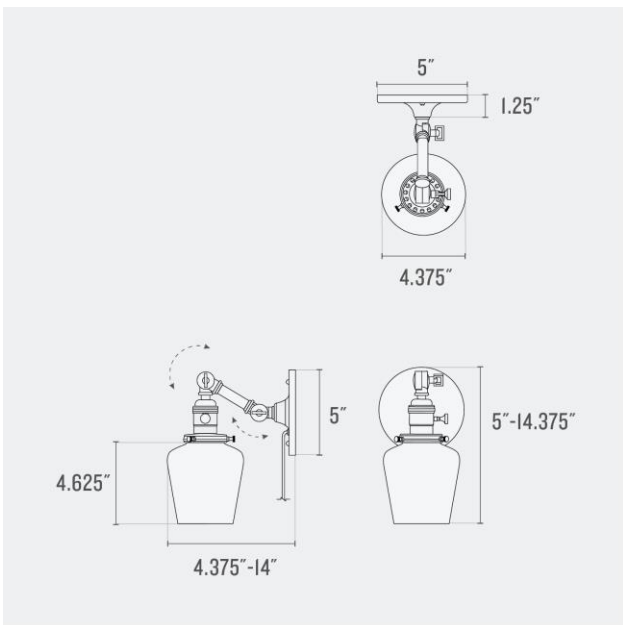
Details: True Black Finish Includes Black Cord
Natural Brass Finish Includes Khaki Cord

Cord Length: 8 Feet

Switch Type: Rotary

Switch Location: On Socket

One year guarantee



Finish Options



True Black
(TB)



Natural Brass
(NB)

Shade Options



Opal Glass
(OP)



Clear Glass
(CL)

SCHOOLHOUSE

Princeton Mid Plug-In, Wide Cone Shade



Application: Wall Sconce

Product Origin: Processed and assembled in Portland, Oregon using ethically-sourced domestic and global components.

UL Listed: Yes

Max Wattage: 40 W

Voltage: 120 / 220 V

Location Rating: Damp

Dimensions:

Overall: 9.5" - 15.5" H X 9.5" W X 9.375" - 14.5" D

Shade: 9.5" H X 9.5" W X 5" D

Canopy 5" H X 5" W X 1.25" D

Materials: Brass, Glass

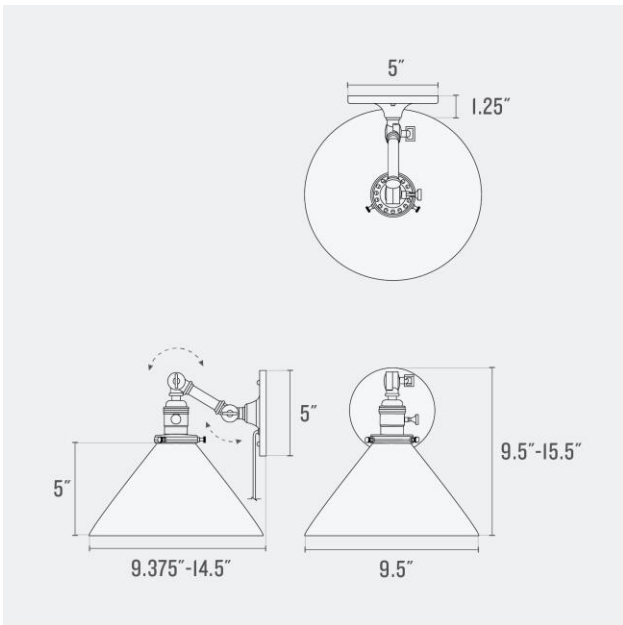
Details: True Black Finish Includes Black Cord
Natural Brass Finish Includes Khaki Cord

Cord Length: 8 Feet

Switch Type: Rotary

Switch Location: On Socket

One year guarantee



Finish Options



Natural Brass
(NB)



True Black
(TB)

Shade Options



Opal Glass
(OP)



Clear Glass
(CL)