

SCHOOLHOUSE

Newbury 4", Ellipse Shade

Application: Surface Mount

Product Origin: Processed and assembled in Portland, Oregon using ethically-sourced domestic and global components.

UL Listed: Yes

Max Wattage: 100 W

Voltage: 120/220 V

Location Rating: Damp

Dimensions:

Overall: 8.5" H x 9.25" W x 9.25" D

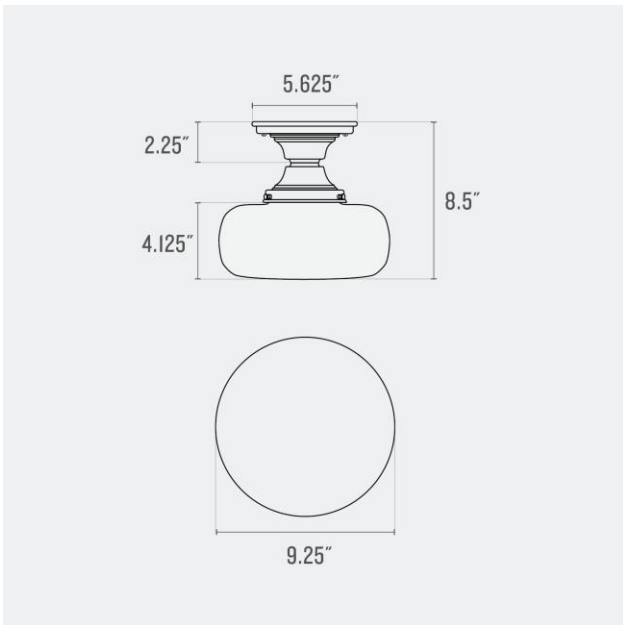
Shade: 4.125" H x 9.25" W x 9.25" D

Canopy: 2.25" H x 5.625" W x 5.625" D

Fitter Size: 4"

Materials: Brass, Glass

One year guarantee



Finish Option(s)



Satin Nickel
(SN)



Natural Brass
(NB)



True Black
(TB)



Opal Glass
(OP)



Clear Glass
(CL)

Shade Option(s)



Polished Nickel
(PN)

SCHOOLHOUSE

Newbury 4", Globe Shade



Application: Surface Mount

Product Origin: Processed and assembled in Portland, Oregon using ethically-sourced domestic and global components.

UL Listed: Yes

Max Wattage: 100 W

Voltage: 120/220 V

Location Rating: Damp

Dimensions:

Overall: 13.375" H x 9.5" W x 9.5" D

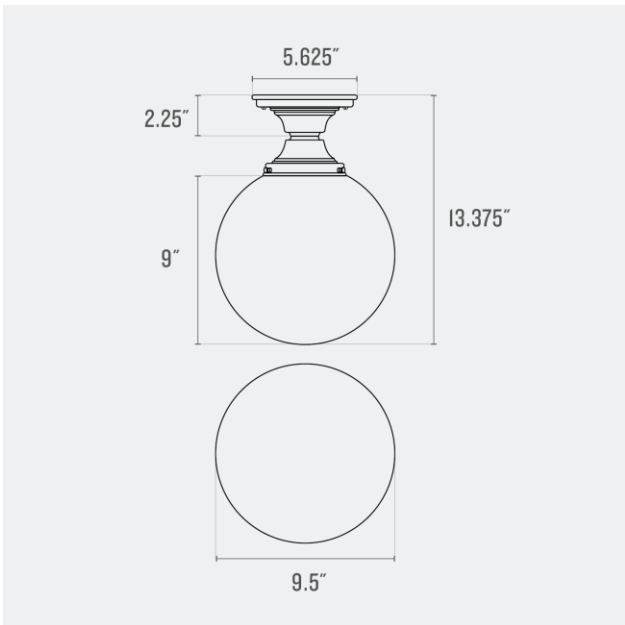
Shade: 9" H x 9.5" W x 9.5" D

Canopy: 2.25" H x 5.625" W x 5.625" D

Fitter Size: 4"

Materials: Brass, Glass

One year guarantee



Finish Option(s)



Polished Nickel
(PN)



Satin Nickel
(SN)



Natural Brass
(NB)

Shade Option(s)



Clear Glass
(CL)



Opal Glass
(OP)



True Black
(TB)

SCHOOLHOUSE

Newbury 4", Jar Shade

Application: Surface Mount

Product Origin: Processed and assembled in Portland, Oregon using ethically-sourced domestic and global components.

UL Listed: Yes

Max Wattage: 100 W

Voltage: 120/220 V

Location Rating: Damp

Dimensions:

Overall: 12.625" H x 6" W x 6" D

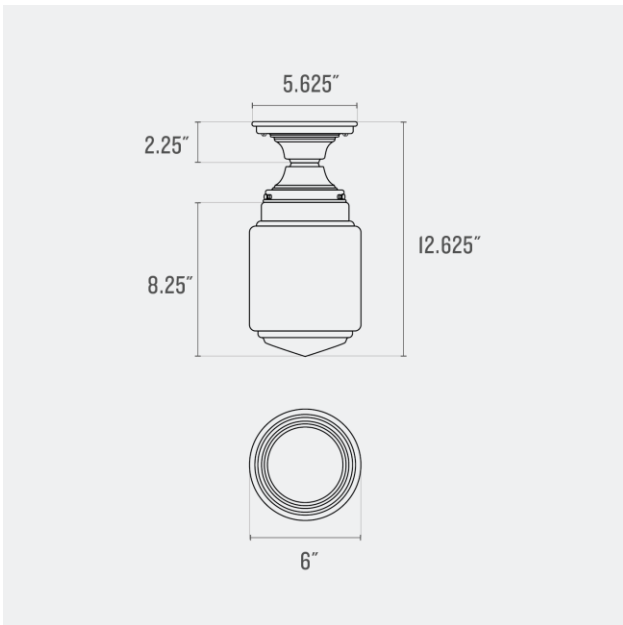
Shade: 8.25" H x 6" W x 6" D

Canopy: 2.25" H x 5.625" W x 5.625" D

Fitter Size: 4"

Materials: Brass, Glass

One year guarantee



Finish Option(s)



Polished Nickel
(PN)



Natural Brass
(NB)



True Black
(TB)

Shade Option(s)



Opal Glass
(OP)



Clear Glass
(CL)



Satin Nickel
(SN)

SCHOOLHOUSE

Newbury 4", Ogee Shade



Application: Surface Mount

Product Origin: Processed and assembled in Portland, Oregon using ethically-sourced domestic and global components.

UL Listed: Yes

Max Wattage: 100 W

Voltage: 120/220 V

Location Rating: Damp

Dimensions:

Overall: 10.75" H x 9.125" W x 9.125" D

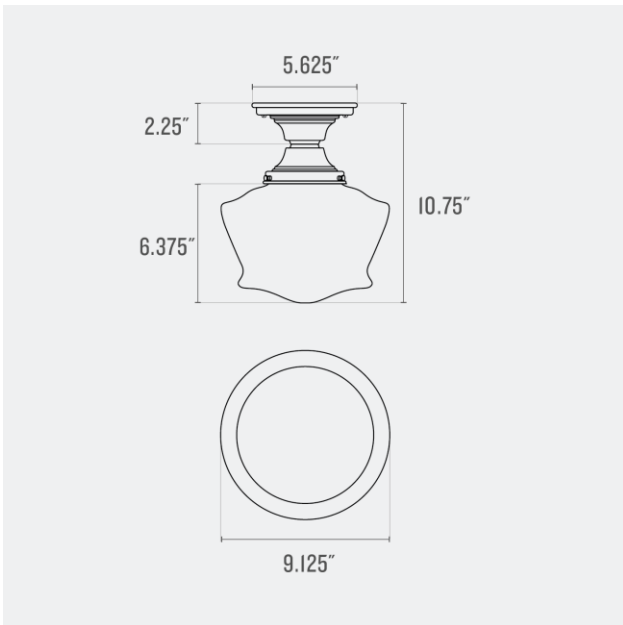
Shade: 6.375" H x 9.125" W x 9.125" D

Canopy: 2.25" H x 5.625" W x 5.625" D

Fitter Size: 4"

Materials: Brass, Glass

One year guarantee



Finish Option(s)



Satin Nickel
(SN)



Natural Brass
(NB)



True Black
(TB)



Opal Glass
(OP)



Gray Bands
(GB)

Shade Option(s)



Polished Nickel
(PN)

SCHOOLHOUSE

Newbury 4", 12" Traditional Schoolhouse Shade

Application: Surface Mount

Product Origin: Processed and assembled in Portland, Oregon using ethically-sourced domestic and global components.

UL Listed: Yes

Max Wattage: 100 W

Voltage: 120/220 V

Location Rating: Damp

Dimensions:

Overall: 11.5" H x 11.875" W x 11.875" D

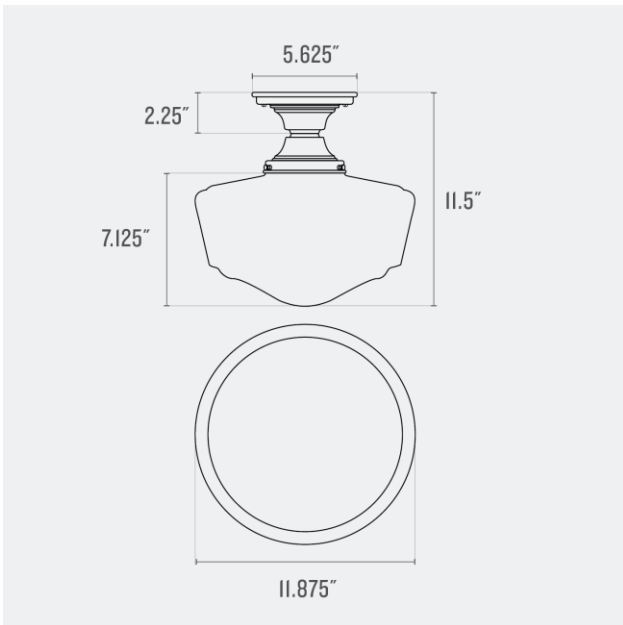
Shade: 7.125" H x 11.875" W x 11.875" D

Canopy: 2.25" H x 5.625" W x 5.625" D

Fitter Size: 4"

Materials: Brass, Glass

One year guarantee



Finish Option(s)



Natural Brass
(NB)



Polished Nickel
(PN)



Satin Nickel
(SN)



Opal Glass
(OP)



Black Pinstripe
(BPS)

Shade Option(s)



True Black
(TB)

SCHOOLHOUSE

Newbury 4", 10" Belt Shade



Application: Surface Mount

Product Origin: Processed and assembled in Portland, Oregon using ethically-sourced domestic and global components.

UL Listed: Yes

Max Wattage: 100 W

Voltage: 120/220 V

Location Rating: Damp

Dimensions:

Overall: 9.75" H x 9.625" W x 9.625" D

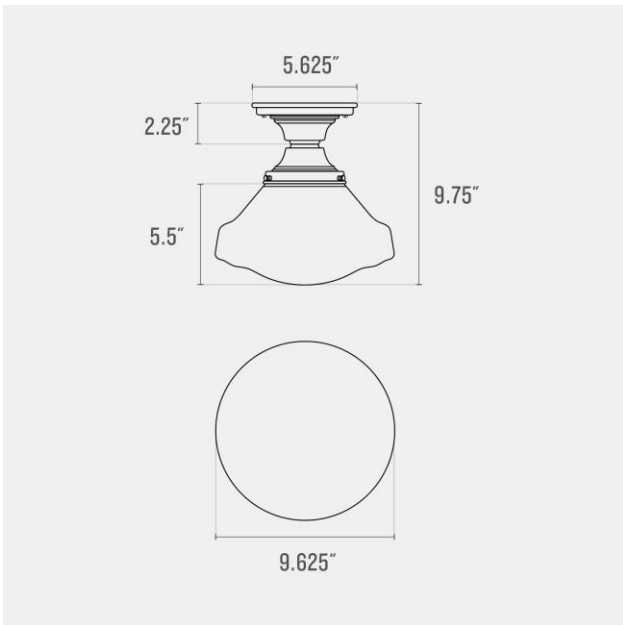
Shade: 5.5" H x 9.625" W x 9.625" D

Canopy: 2.25" H x 5.625" W x 5.625" D

Fitter Size: 4"

Materials: Brass, Glass

One year guarantee



Finish Option(s)



True Black
(TB)



Natural Brass
(NB)



Satin Nickel
(SN)



Opal Glass
(OP)



Polished Nickel
(PN)

Shade Option(s)

SCHOOLHOUSE

Newbury 4", Drum Shade

Application: Surface Mount

Product Origin: Processed and assembled in Portland, Oregon using ethically-sourced domestic and global components.

UL Listed: Yes

Max Wattage: 100 W

Voltage: 120/220 V

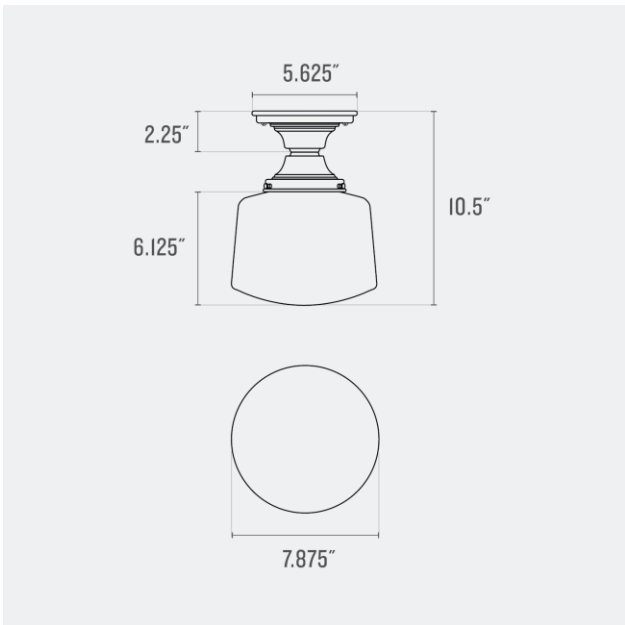
Location Rating: Damp

Dimensions:

Overall: 10.5" H x 7.875" W x 7.875" D
Shade: 6.125" H x 7.875" W x 7.875" D
Canopy: 2.25" H x 5.625" W x 5.625" D
Fitter Size: 4"

Materials: Brass, Glass

One year guarantee



Finish Option(s)



True Black
(TB)



Polished Nickel
(PN)



Natural Brass
(NB)



Black Pinstripe
(BPS)



Opal Glass
(OP)



Multicolor
(MULT)



Clear Glass
(CL)



Gray Bands
(GB)



Satin Nickel
(SN)

Shade Option(s)

SCHOOLHOUSE

Newbury 4", 8" Belt Shade

Application: Surface Mount

Product Origin: Processed and assembled in Portland, Oregon using ethically-sourced domestic and global components.

UL Listed: Yes

Max Wattage: 100 W

Voltage: 120/220 V

Location Rating: Damp

Dimensions:

Overall: 8.625" H x 7.75" W x 7.75" D

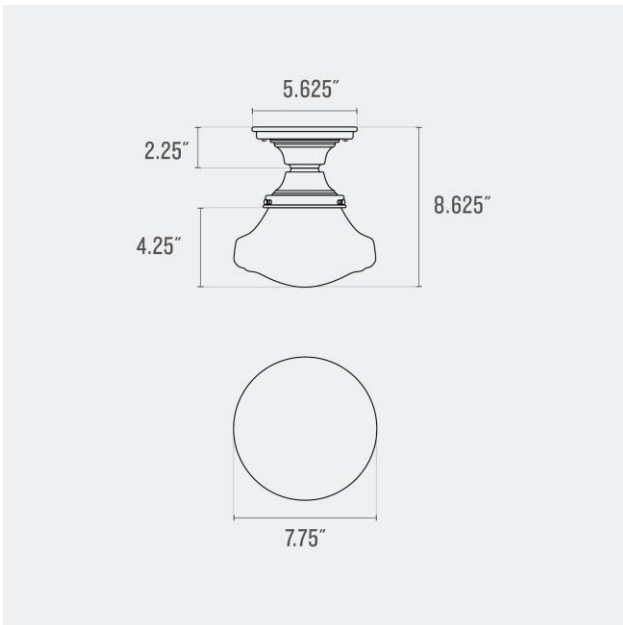
Shade: 4.25" H x 7.75" W x 7.75" D

Canopy: 2.25" H x 5.625" W x 5.625" D

Fitter Size: 4"

Materials: Brass, Glass

One year guarantee



Finish Option(s)



True Black
(TB)



Satin Nickel
(SN)



Natural Brass
(NB)



Opal Glass
(OP)



Polished Nickel
(PN)

Shade Option(s)

SCHOOLHOUSE

Newbury 4", 10" Traditional Schoolhouse Shade

Application: Surface Mount

Product Origin: Processed and assembled in Portland, Oregon using ethically-sourced domestic and global components.

UL Listed: Yes

Max Wattage: 100 W

Voltage: 120/220 V

Location Rating: Damp

Dimensions:

Overall: 10.125" H x 10" W x 10" D

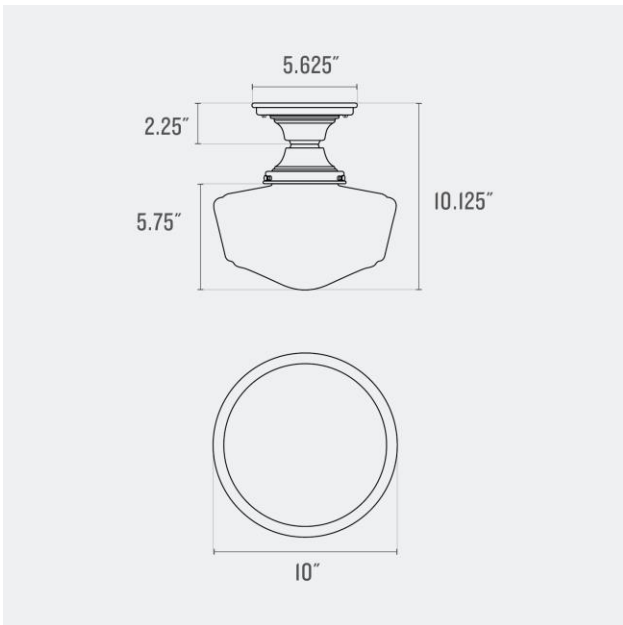
Shade: 5.75" H x 10" W x 10" D

Canopy: 2.25" H x 5.625" W x 5.625" D

Fitter Size: 4"

Materials: Brass, Glass

One year guarantee



Finish Option(s)



Polished Nickel
(PN)



True Black
(TB)



Satin Nickel
(SN)



Opal Glass
(OP)



Black Pinstripe
(BPS)



Natural Brass
(NB)

Shade Option(s)