

# SCHOOLHOUSE

## Fran 4", 8" Belt Shade



**Application:** Flush Mount

**Product Origin:** Processed and assembled in Portland, Oregon using ethically-sourced domestic and global components.

**UL Listed:** Yes

**Max Wattage:** 100 W

**Voltage:** 120/220 V

**Location Rating:** Damp

**Dimensions:**

Overall: 6.5" H x 8.375" W x 8.375" D

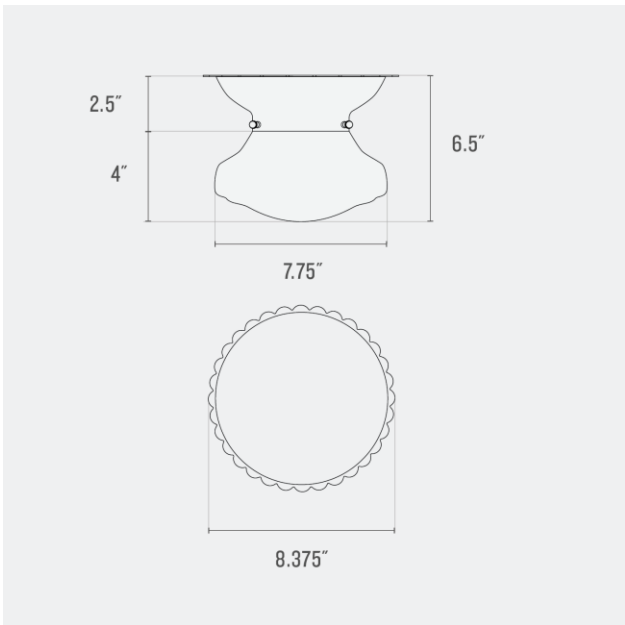
Shade: 4" H x 7.75" W x 7.75" D

Canopy: 2.5" H x 8.375" W x 8.375" D

Fitter Size: 4"

**Materials:** Brass, Glass, Steel

One year guarantee



# SCHOOLHOUSE

---

## Fixture Option(s)



Juniper-Satin  
(JPR-S)



Bellini-Satin  
(BN-S)



Lichen-Satin  
(LN-S)



Black-Satin  
(BK-S)



Industrial  
Yellow-Satin  
(INY-S)



Azalea-Satin  
(AZ-S)



Ecu-Satin  
(EC-S)



Shell White-  
Satin  
(SWT-S)



Persimmon-  
Satin  
(PS-S)



Paprika-Satin  
(PPA-S)



Laurel-Satin  
(LR-S)



Natural Brass  
(NB)



Pebble-Satin  
(PEB-S)



Pool-Satin  
(PL-S)



Alder-Satin  
(AGR-S)



Dune-Satin  
(DU-S)



Butterscotch-  
Satin  
(BU-S)



Chamomile-  
Satin  
(CE-S)

## Shade Option(s)



Opal Glass  
(OP)

# SCHOOLHOUSE

## Fran 4", Drum Shade



**Application:** Flush Mount

**Product Origin:** Processed and assembled in Portland, Oregon using ethically-sourced domestic and global components.

**UL Listed:** Yes

**Max Wattage:** 100 W

**Voltage:** 120/220 V

**Location Rating:** Damp

**Dimensions:**

Overall: 8.5" H x 8.375" W x 8.375" D

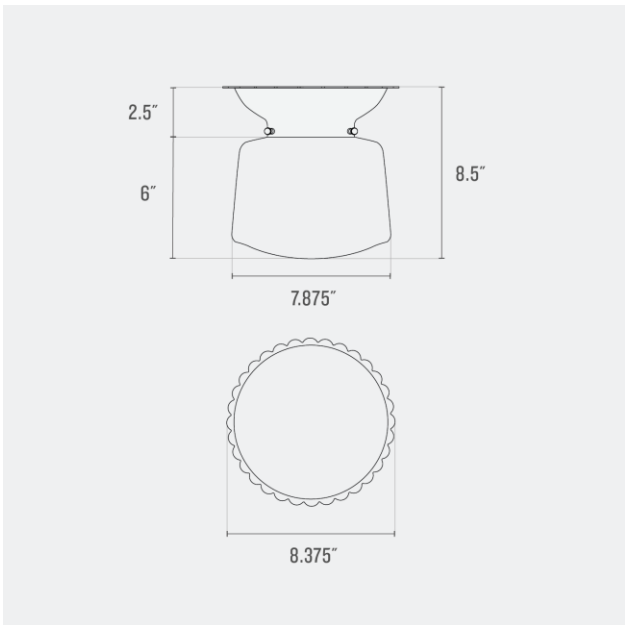
Shade: 6" H x 7.875" W x 7.875" D

Canopy: 2.5" H x 8.375" W x 8.375" D

Fitter Size: 4"

**Materials:** Brass, Glass, Steel

One year guarantee



# SCHOOLHOUSE

---

## Fixture Option(s)



Natural Brass  
(NB)



Azalea-Satin  
(AZ-S)



Persimmon-Satin  
(PS-S)



Black-Satin  
(BK-S)



Alder-Satin  
(AGR-S)



Bellini-Satin  
(BN-S)



Pebble-Satin  
(PEB-S)



Butterscotch-Satin  
(BU-S)



Juniper-Satin  
(JPR-S)



Laurel-Satin  
(LR-S)



Shell White-Satin  
(SWT-S)



Chamomile-Satin  
(CE-S)



Ecru-Satin  
(EC-S)



Paprika-Satin  
(PPA-S)



Pool-Satin  
(PL-S)



Dune-Satin  
(DU-S)



Industrial Yellow-Satin  
(INY-S)



Lichen-Satin  
(LN-S)

## Shade Option(s)



Multicolor  
(MULT)



Gray Bands  
(GB)



Opal Glass  
(OP)



Clear Glass  
(CL)



Black Pinstripe  
(BPS)

# SCHOOLHOUSE

## Fran 4", Ellipse Shade

**Application:** Flush Mount

**Product Origin:** Processed and assembled in Portland, Oregon using ethically-sourced domestic and global components.

**UL Listed:** Yes

**Max Wattage:** 100 W

**Voltage:** 120/220 V

**Location Rating:** Damp

**Dimensions:**

Overall: 6.5" H x 9.25" W x 9.25" D

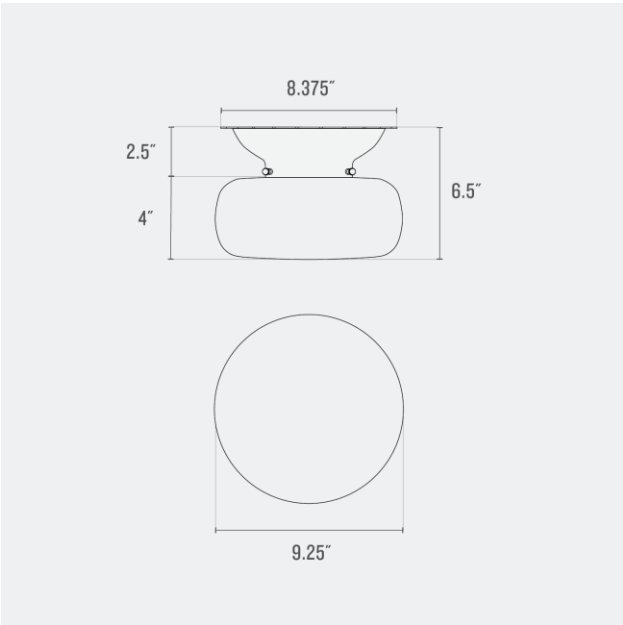
Shade: 4" H x 9.25" W x 9.25" D

Canopy: 2.5" H x 8.375" W x 8.375" D

Fitter Size: 4"

**Materials:** Brass, Glass, Steel

One year guarantee



# SCHOOLHOUSE

## Fixture Option(s)



Chamomile-Satin  
(CE-S)



Lichen-Satin  
(LN-S)



Black-Satin  
(BK-S)



Pebble-Satin  
(PEB-S)



Ecrú-Satin  
(EC-S)



Industrial  
Yellow-Satin  
(INY-S)



Persimmon-  
Satin  
(PS-S)



Alder-Satin  
(AGR-S)



Paprika-Satin  
(PPA-S)



Bellini-Satin  
(BN-S)



Butterscotch-  
Satin  
(BU-S)



Laurel-Satin  
(LR-S)



Dune-Satin  
(DU-S)



Juniper-Satin  
(JPR-S)



Natural Brass  
(NB)



Pool-Satin  
(PL-S)



Azalea-Satin  
(AZ-S)



Shell White-  
Satin  
(SWT-S)

## Shade Option(s)



Clear Glass  
(CL)



Opal Glass  
(OP)

# SCHOOLHOUSE

## Fran 4", Globe Shade



**Application:** Flush Mount

**Product Origin:** Processed and assembled in Portland, Oregon using ethically-sourced domestic and global components.

**UL Listed:** Yes

**Max Wattage:** 100 W

**Voltage:** 120/220 V

**Location Rating:** Damp

**Dimensions:**

Overall: 11.625" H x 9.5" W x 9.5" D

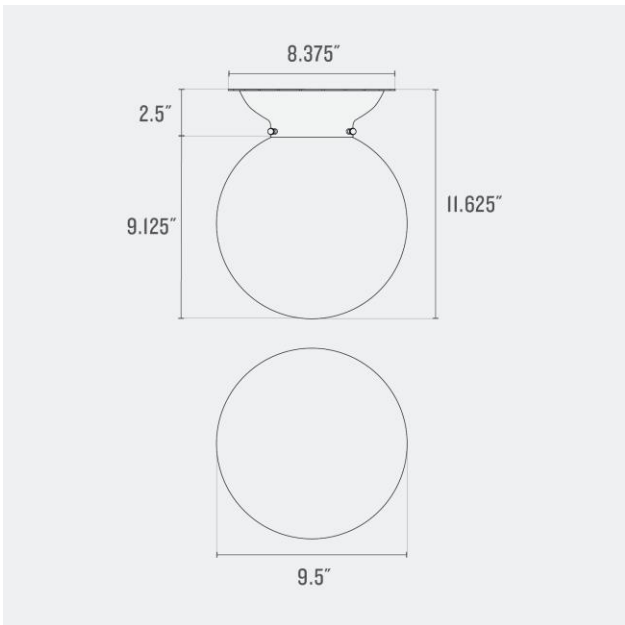
Shade: 9.125" H x 9.5" W x 9.5" D

Canopy: 2.5" H x 8.375" W x 8.375" D

Fitter Size: 4"

**Materials:** Brass, Glass, Steel

One year guarantee



# SCHOOLHOUSE

---

## Fixture Option(s)



Bellini-Satin  
(BN-S)



Pool-Satin  
(PL-S)



Shell White-Satin  
(SWT-S)



Natural Brass  
(NB)



Lichen-Satin  
(LN-S)



Pebble-Satin  
(PEB-S)



Black-Satin  
(BK-S)



Alder-Satin  
(AGR-S)



Chamomile-Satin  
(CE-S)



Butterscotch-Satin  
(BU-S)



Ecru-Satin  
(EC-S)



Azalea-Satin  
(AZ-S)



Dune-Satin  
(DU-S)



Juniper-Satin  
(JPR-S)



Industrial  
Yellow-Satin  
(INY-S)



Persimmon-Satin  
(PS-S)



Laurel-Satin  
(LR-S)



Paprika-Satin  
(PPA-S)

## Shade Option(s)



Opal Glass  
(OP)



Clear Glass  
(CL)



# SCHOOLHOUSE

---

## Fran 4", Jar Shade

**Application:** Flush Mount

**Product Origin:** Processed and assembled in Portland, Oregon using ethically-sourced domestic and global components.

**UL Listed:** Yes

**Max Wattage:** 100 W

**Voltage:** 120/220 V

**Location Rating:** Damp

**Dimensions:**

Overall: 10.75" H x 8.375" W x 8.375" D

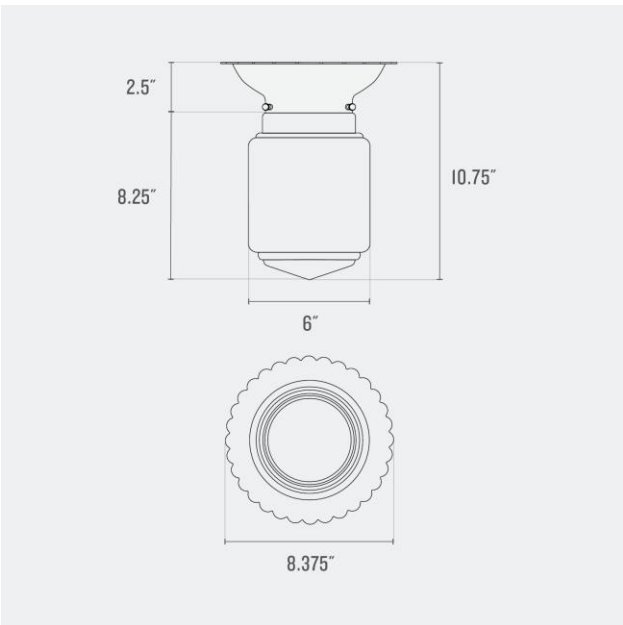
Shade: 8.25" H x 6" W x 6" D

Canopy: 2.5" H x 8.375" W x 8.375" D

Fitter Size: 4"

**Materials:** Brass, Glass, Steel

One year guarantee



# SCHOOLHOUSE

---

## Fixture Option(s)



Bellini-Satin  
(BN-S)



Persimmon-Satin  
(PS-S)



Lichen-Satin  
(LN-S)



Pool-Satin  
(PL-S)



Shell White-Satin  
(SWT-S)



Black-Satin  
(BK-S)



Chamomile-Satin  
(CE-S)



Industrial Yellow-Satin  
(INY-S)



Dune-Satin  
(DU-S)



Azalea-Satin  
(AZ-S)



Ecru-Satin  
(EC-S)



Juniper-Satin  
(JPR-S)



Paprika-Satin  
(PPA-S)



Natural Brass  
(NB)



Laurel-Satin  
(LR-S)



Pebble-Satin  
(PEB-S)



Butterscotch-Satin  
(BU-S)



Alder-Satin  
(AGR-S)

## Shade Option(s)



Opal Glass  
(OP)



Clear Glass  
(CL)

# SCHOOLHOUSE

## Fran 4", Ogee Shade

**Application:** Flush Mount

**Product Origin:** Processed and assembled in Portland, Oregon using ethically-sourced domestic and global components.

**UL Listed:** Yes

**Max Wattage:** 100 W

**Voltage:** 120/220 V

**Location Rating:** Damp

**Dimensions:**

Overall: 8.875" H x 9.125" W x 9.125" D

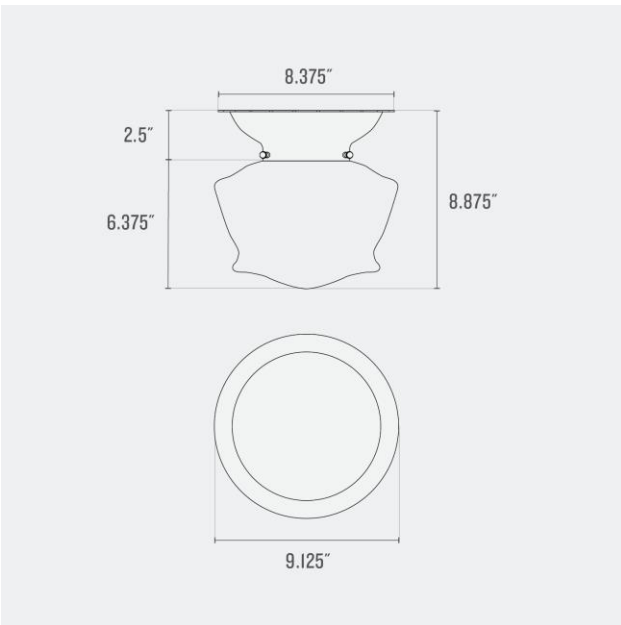
Shade: 6.375" H x 9.125" W x 9.125" D

Canopy: 2.5" H x 8.375" W x 8.375" D

Fitter Size: 4"

**Materials:** Brass, Glass, Steel

One year guarantee



# SCHOOLHOUSE

---

## Fixture Option(s)



Chamomile-Satin  
(CE-S)



Bellini-Satin  
(BN-S)



Butterscotch-Satin  
(BU-S)



Dune-Satin  
(DU-S)



Alder-Satin  
(AGR-S)



Pool-Satin  
(PL-S)



Ecru-Satin  
(EC-S)



Persimmon-Satin  
(PS-S)



Lichen-Satin  
(LN-S)



Industrial  
Yellow-Satin  
(INY-S)



Laurel-Satin  
(LR-S)



Natural Brass  
(NB)



Shell White-Satin  
(SWT-S)



Azalea-Satin  
(AZ-S)



Paprika-Satin  
(PPA-S)



Juniper-Satin  
(JPR-S)



Black-Satin  
(BK-S)



Pebble-Satin  
(PEB-S)

## Shade Option(s)



Opal Glass  
(OP)



Gray Bands  
(GB)

# SCHOOLHOUSE

## Fran 4", 10" Traditional Schoolhouse Shade

**Application:** Flush Mount

**Product Origin:** Processed and assembled in Portland, Oregon using ethically-sourced domestic and global components.

**UL Listed:** Yes

**Max Wattage:** 100 W

**Voltage:** 120/220 V

**Location Rating:** Damp

**Dimensions:**

Overall: 8.125" H x 10" W x 10" D

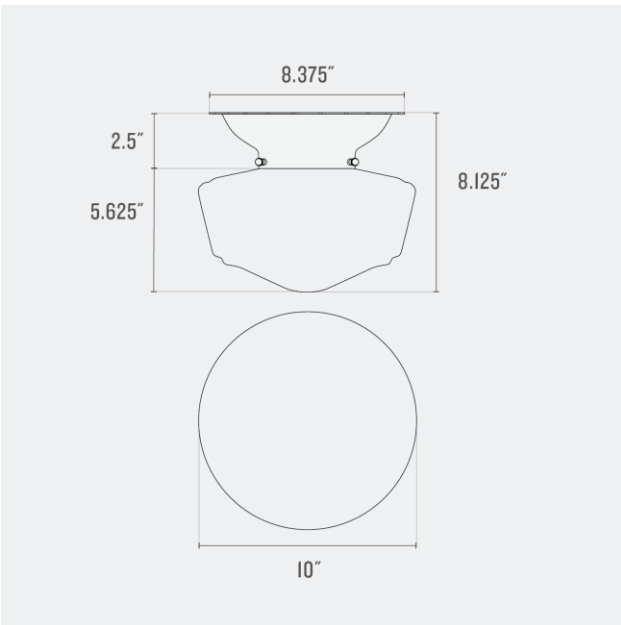
Shade: 5.625" H x 10" W x 10" D

Canopy: 2.5" H x 8.375" W x 8.375" D

Fitter Size: 4"

**Materials:** Brass, Glass, Steel

One year guarantee



# SCHOOLHOUSE

---

## Fixture Option(s)



Shell White-Satin  
(SWT-S)



Natural Brass  
(NB)



Lichen-Satin  
(LN-S)



Laurel-Satin  
(LR-S)



Pool-Satin  
(PL-S)



Bellini-Satin  
(BN-S)



Industrial  
Yellow-Satin  
(INY-S)



Persimmon-  
Satin  
(PS-S)



Dune-Satin  
(DU-S)



Juniper-Satin  
(JPR-S)



Paprika-Satin  
(PPA-S)



Chamomile-  
Satin  
(CE-S)



Pebble-Satin  
(PEB-S)



Azalea-Satin  
(AZ-S)



Black-Satin  
(BK-S)



Ecrú-Satin  
(EC-S)



Alder-Satin  
(AGR-S)



Butterscotch-  
Satin  
(BU-S)

## Shade Option(s)



Opal Glass  
(OP)



Black Pinstripe  
(BPS)

# SCHOOLHOUSE

## Fran 4", 10" Belt Shade

**Application:** Flush Mount

**Product Origin:** Processed and assembled in Portland, Oregon using ethically-sourced domestic and global components.

**UL Listed:** Yes

**Max Wattage:** 100 W

**Voltage:** 120/220 V

**Location Rating:** Damp

**Dimensions:**

Overall: 8" H x 8.375" W x 9.625" D

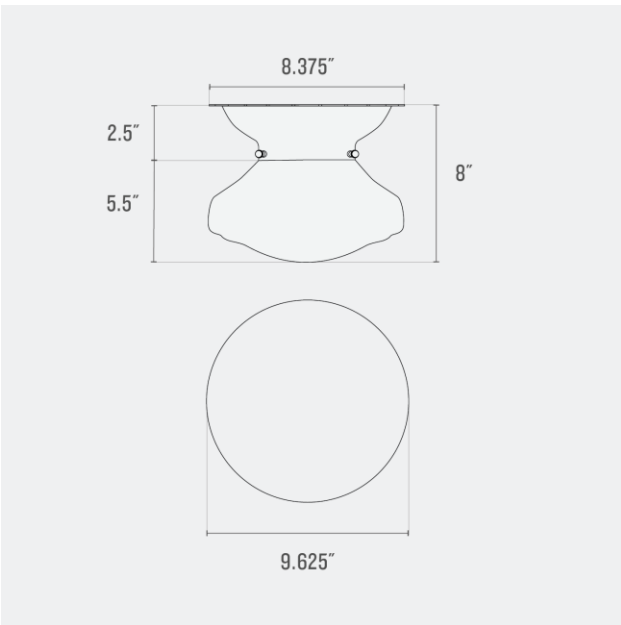
Shade: 5.5" H x 9.625" W x 9.625" D

Canopy: 2.5" H x 8.375" W x 8.375" D

Fitter Size: 4"

**Materials:** Brass, Glass, Steel

One year guarantee



# SCHOOLHOUSE

---

## Fixture Option(s)



Ecrú-Satin  
(EC-S)



Juniper-Satin  
(JPR-S)



Natural Brass  
(NB)



Lichen-Satin  
(LN-S)



Pool-Satin  
(PL-S)



Shell White-Satin  
(SWT-S)



Industrial Yellow-Satin  
(INY-S)



Bellini-Satin  
(BN-S)



Butterscotch-Satin  
(BU-S)



Persimmon-Satin  
(PS-S)



Alder-Satin  
(AGR-S)



Azalea-Satin  
(AZ-S)



Black-Satin  
(BK-S)



Pebble-Satin  
(PEB-S)



Dune-Satin  
(DU-S)



Chamomile-Satin  
(CE-S)



Paprika-Satin  
(PPA-S)



Laurel-Satin  
(LR-S)

## Shade Option(s)



Opal Glass  
(OP)



# SCHOOLHOUSE

## Fran 4", 12" Traditional Schoolhouse Shade

**Application:** Flush Mount

**Product Origin:** Processed and assembled in Portland, Oregon using ethically-sourced domestic and global components.

**UL Listed:** Yes

**Max Wattage:** 100 W

**Voltage:** 120/220 V

**Location Rating:** Damp

**Dimensions:**

Overall: 9.625" H x 11.875" W x 11.875" D

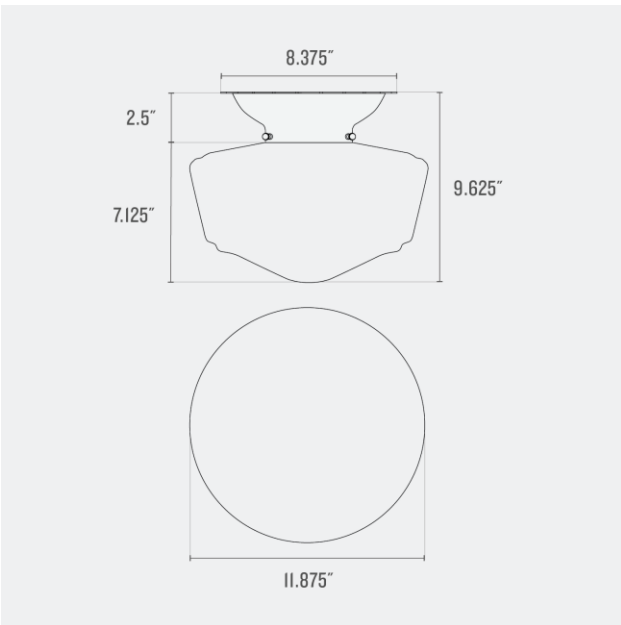
Shade: 7.125" H x 11.875" W x 11.875" D

Canopy: 2.5" H x 8.375" W x 8.375" D

Fitter Size: 4"

**Materials:** Brass, Glass, Steel

One year guarantee



# SCHOOLHOUSE

---

## Fixture Option(s)



Ecrú-Satin  
(EC-S)



Pool-Satin  
(PL-S)



Bellini-Satin  
(BN-S)



Natural Brass  
(NB)



Chamomile-Satin  
(CE-S)



Butterscotch-Satin  
(BU-S)



Lichen-Satin  
(LN-S)



Dune-Satin  
(DU-S)



Black-Satin  
(BK-S)



Industrial  
Yellow-Satin  
(INY-S)



Pebble-Satin  
(PEB-S)



Alder-Satin  
(AGR-S)



Laurel-Satin  
(LR-S)



Paprika-Satin  
(PPA-S)



Persimmon-Satin  
(PS-S)



Juniper-Satin  
(JPR-S)



Shell White-Satin  
(SWT-S)



Azalea-Satin  
(AZ-S)

## Shade Option(s)



Opal Glass  
(OP)



Black Pinstripe  
(BPS)