

# SCHOOLHOUSE

## Cylinder Surface Mount

**Application:** Surface Mount

**Product Origin:** Processed and assembled in Portland, Oregon using ethically-sourced domestic and global components.

**UL Listed:** Yes

**Max Wattage:** 100 W

**Voltage:** 120/220V

**Location Rating:** Damp

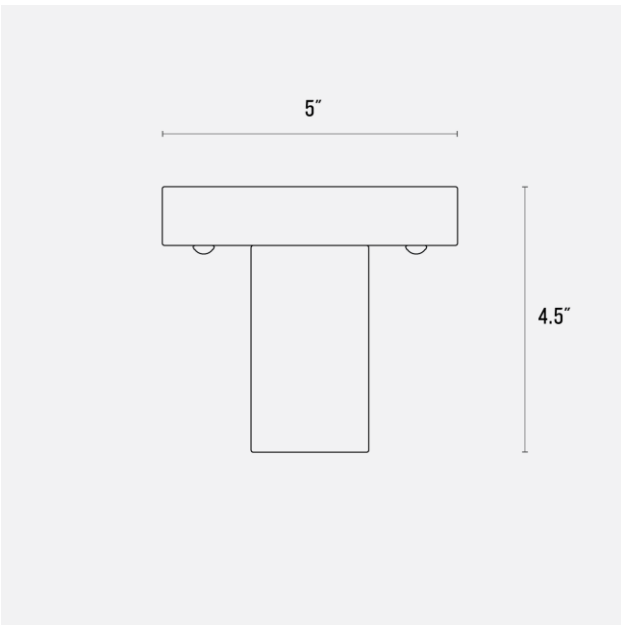
**Dimensions:**

Diameter: 5"

Projection: 4.5"

**Materials:** Brass

One year guarantee



### Finish Options



True Black  
(TB)



Polished Nickel  
(PN)



Natural Brass  
(NB)