

SCHOOLHOUSE

Atwood Sconce

Application: Wall Sconce

Product Origin: Processed and assembled in Portland, Oregon using ethically-sourced domestic and global components.

UL Listed: Yes

Max Wattage: 4.5 W

Voltage: 120 V

Location Rating: Damp

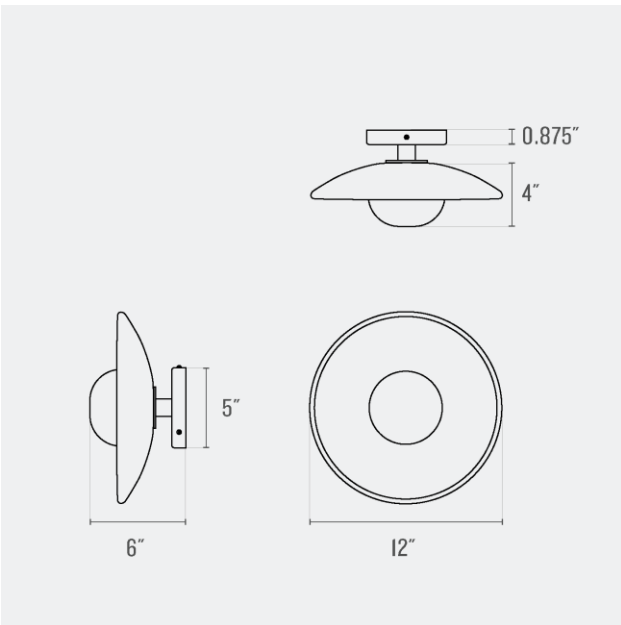
Dimensions:

Overall: 12" H x 12" W x 6" D

Shade: 12" H x 12" W x 4" D

Canopy: 5" H x 5" W x 0.875" D

One year guarantee



Fixture Option(s)



Shell White-Satin
(SWT-S)



Black-Satin
(BK-S)



Natural Brass
(NB)



Black
(BK)



Natural
(NA)

Shade Option(s)