


# SCHOOLHOUSE

## Simone Double Sconce

*Shown in True Black with Edison Marconi Bulbs*

**Application:** Wall Sconce Fixture

**Product origin:** USA

**UL listed:** 

**Wattage:**

Incandescent, Medium Base Socket  
Max wattage: 60W per socket

**Voltage:** 120/220V

**Dimensions:**

Height: 17"

Canopy Width: 5"

Width: 10"

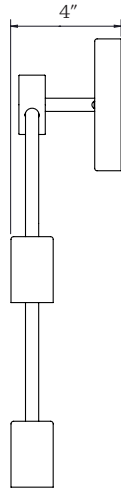
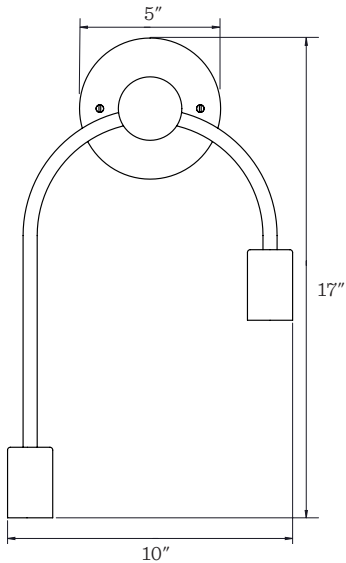
Projection: 4"

**Finish:** TB or NB

**Details:**

- Damp rated
- Requires two light bulbs, sold separately; An asymmetrical combination of G25 and G40 Frosted globe-shaped bulbs are recommended.
- Available in two orientations—Long Left and Long Right to accommodate a bookmatched, mirror-image installation when paired on either side of a bed or vanity mirror. Determine your chosen orientation by imagining you are facing the sconce in its intended installation location. The long arm can be specified either on your right or your left.
- Plug-in version available (not UL)
- Arms are fixed, not adjustable.

One year guarantee.



True Black  
(TB)



Natural Brass  
(NB)