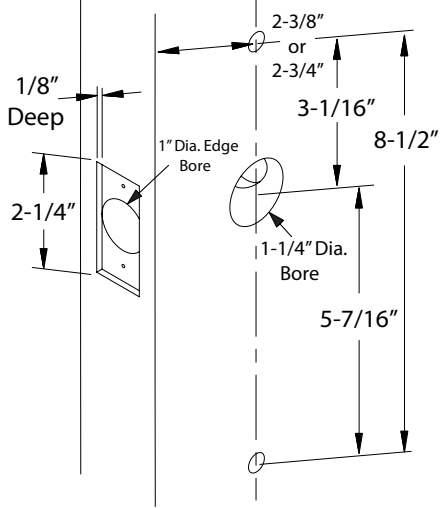


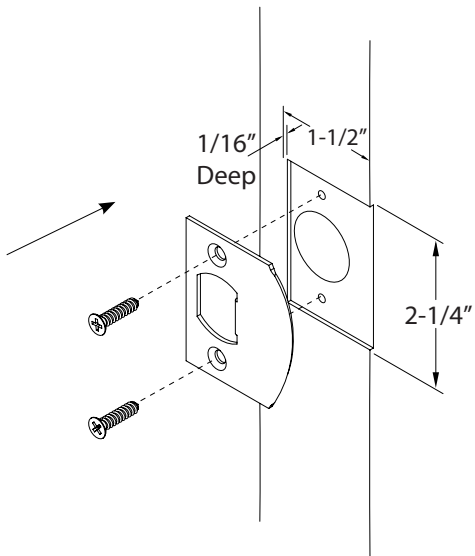
# Installation Guide - Narrow Style Non-Keyed Sideplates

## 1. Door Prep

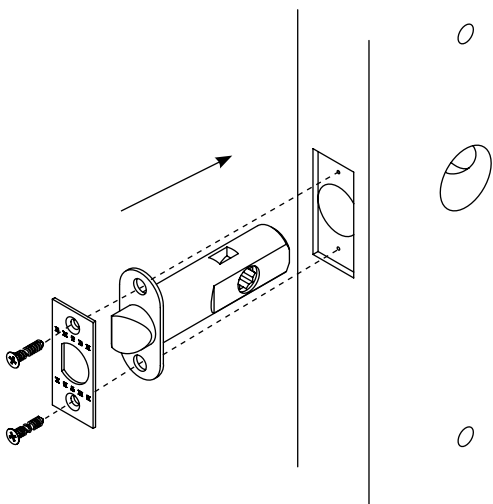


See template for door prep specifications.

## 2. Door Jamb Prep

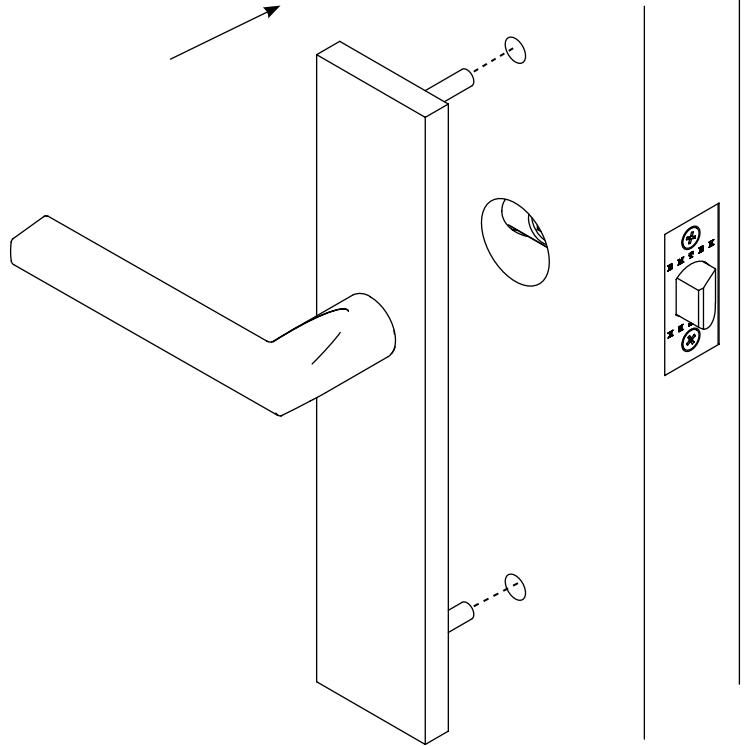


## 3. Install Latch



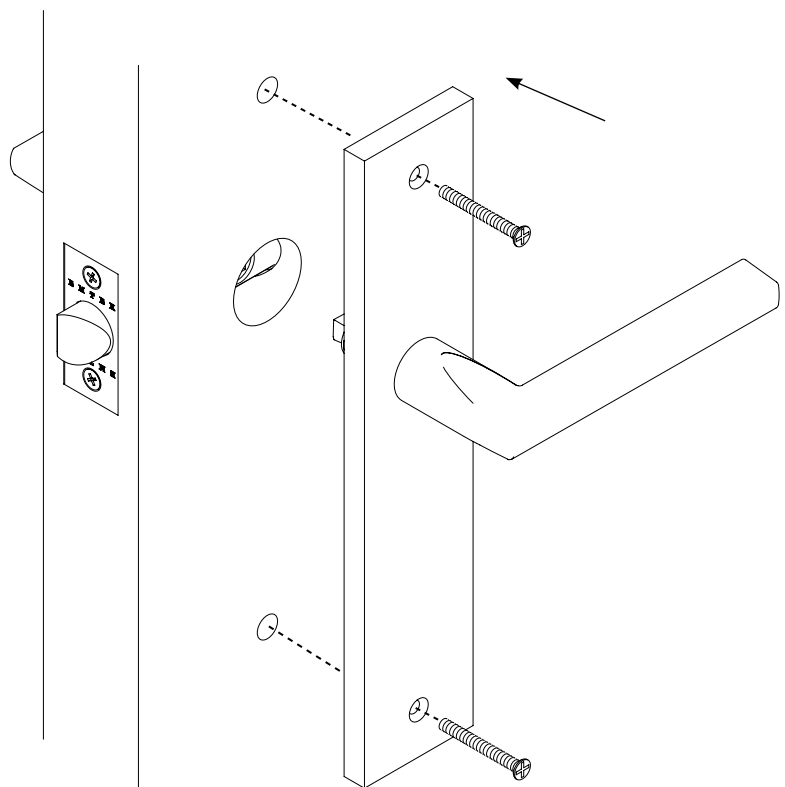
## 4. Outside Installation

Step 1. Position the outside trim through the bore hole.

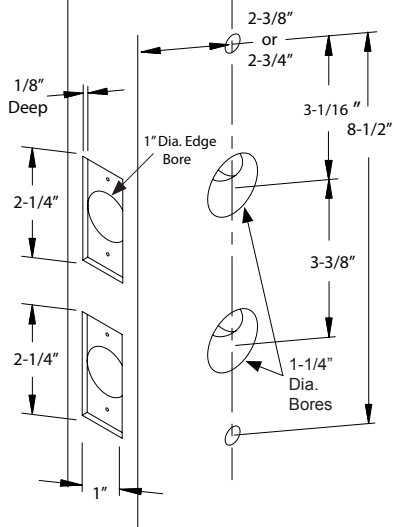


## 5. Inside Installation

Step 2. Fasten Inside Trim using two #8 machine screws (provided).

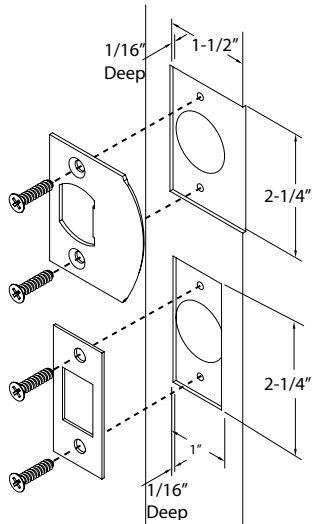


## 1. Door Prep

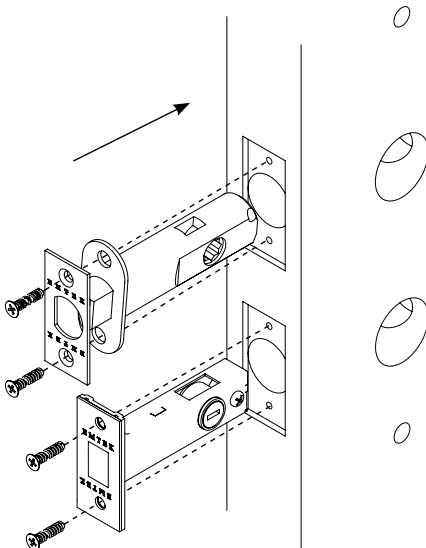


See template for door prep specifications.

## 2. Door Jamb Prep

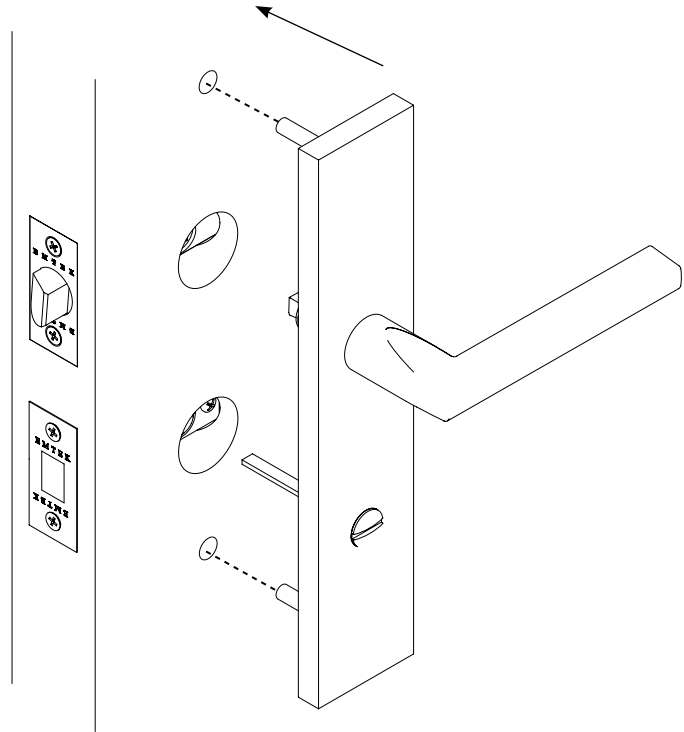


## 3. Install Latch & Dead Bolt



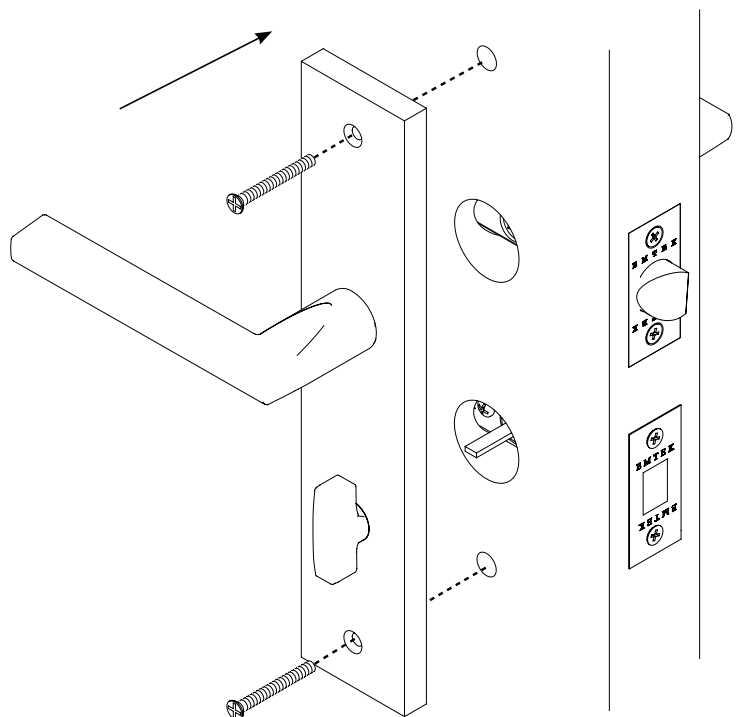
## 4. Outside Installation.

Step 1. Position the outside trim through the bore hole.



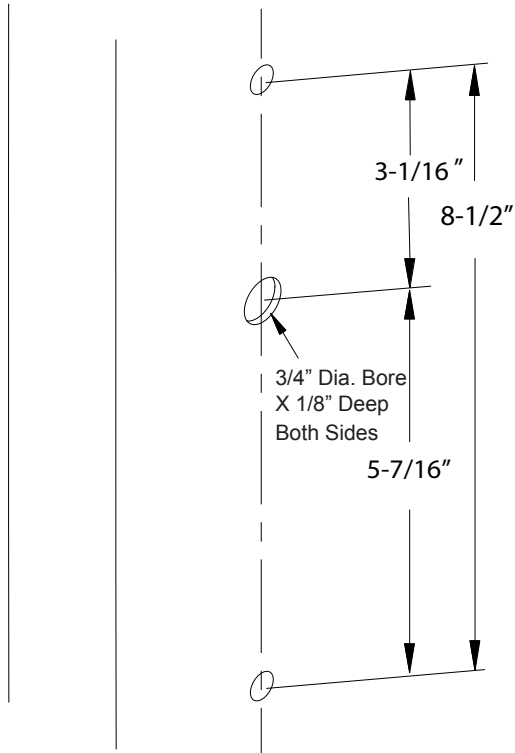
## 5. Inside Installation

Step 2. Fasten Inside Trim using two #8 machine screws (provided).



## Installation Guide - Narrow Style Dummy Sideplates (Pair)

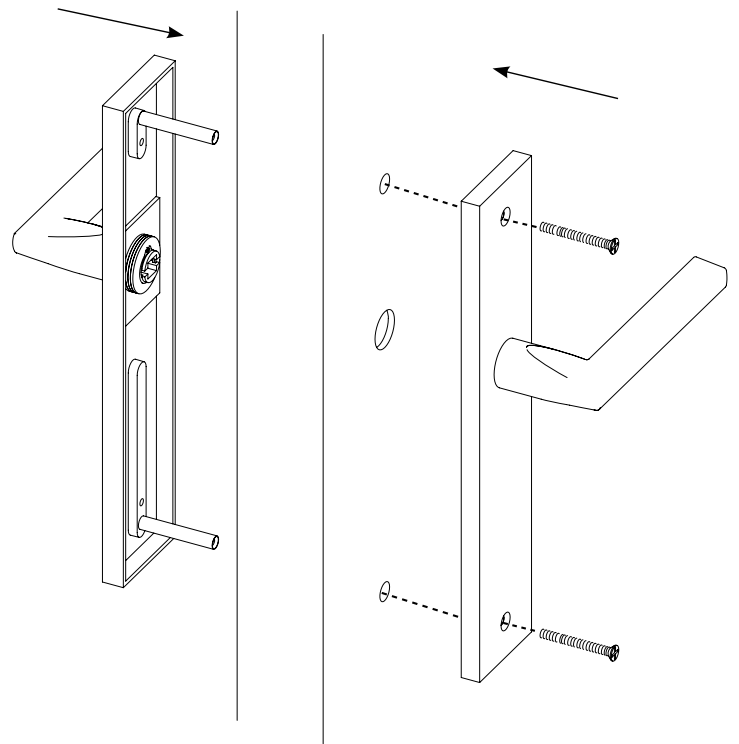
### 1. Door Prep For Pair Dummy



See template for door prep specifications.

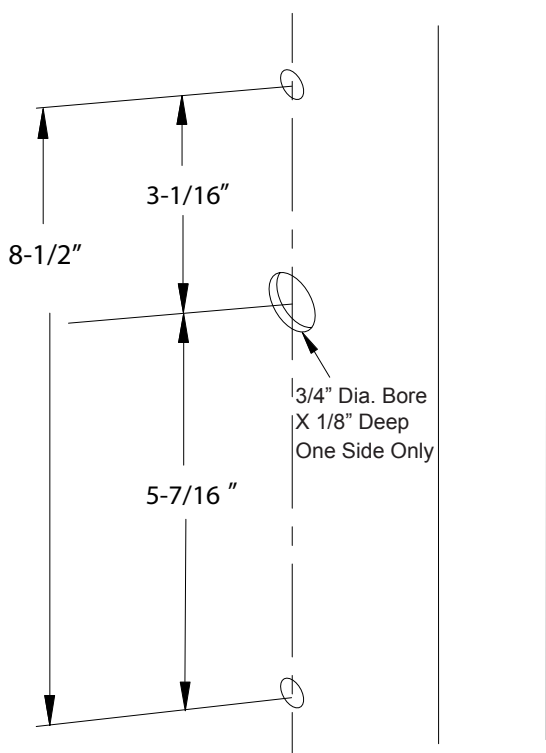
### 2. Pair Dummy Installation

Step 1. Position trim through the bore holes and tighten with #8 machine screws (provided).



## Installation Guide - Narrow Style Dummy Sideplate (Single Sided)

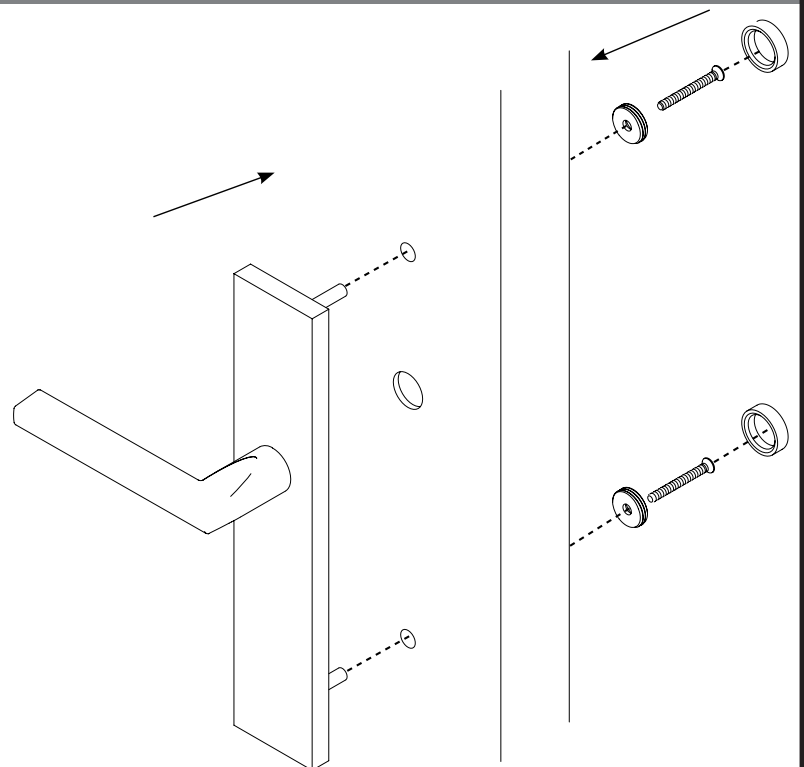
### 1. Door Prep For Single Sided Dummy



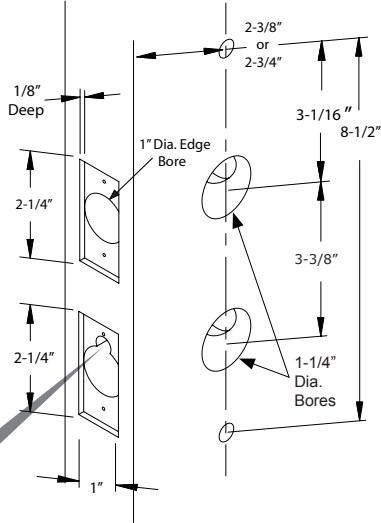
See template for door prep specifications.

### 2. Single Sided Dummy Installation

Step 1. Position trim through the bore holes and tighten with #8 machine screws (provided).



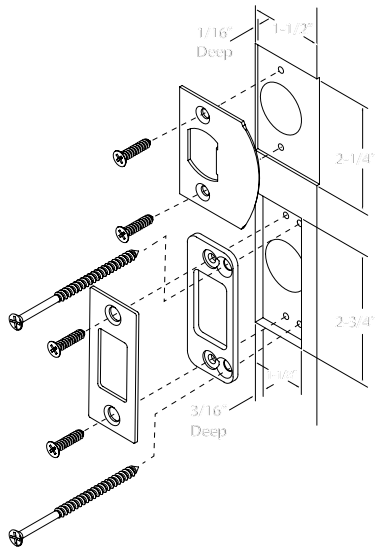
## 1. Door Prep



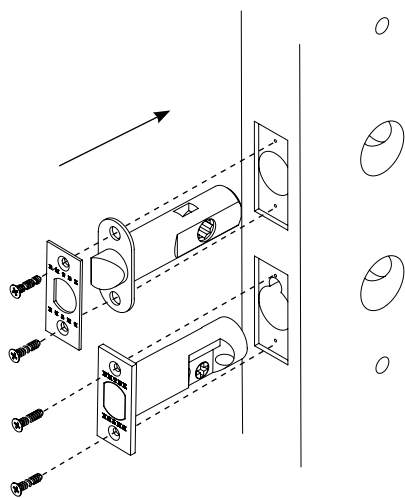
**Important:**  
3/8" to be drilled before 1" bore.

See template for door prep specifications.

## 2. Door Jamb Prep

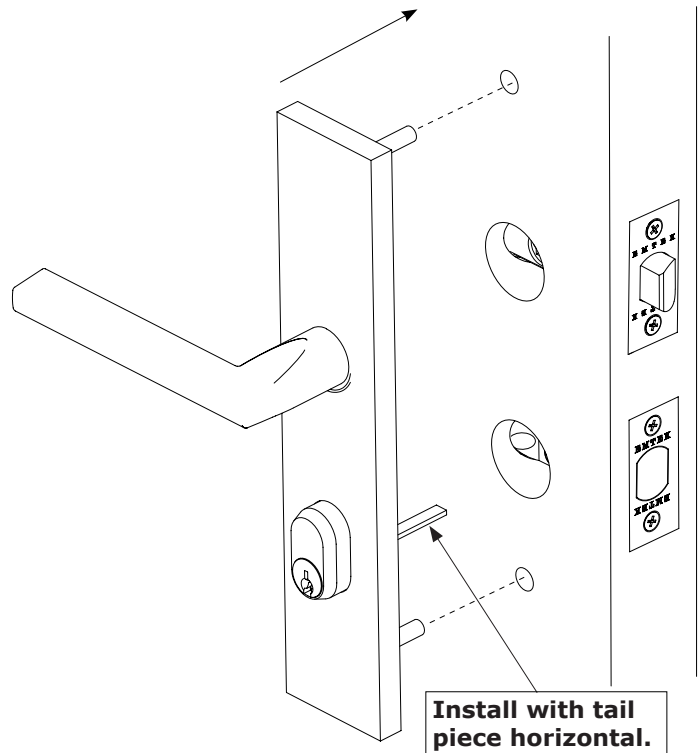


## 3. Install Latch & Deadbolt



## 4. Outside Installation

Step 1. Position the outside trim through the bore hole.



## 5. Inside Installation

Step 2. Fasten Inside Trim using two #8 machine screws (provided).

