



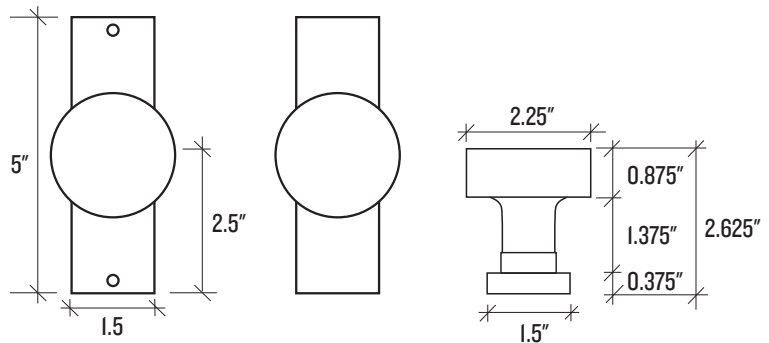
Rome Small Door Set With Cylinder Knob – Passage

Passage sets are non-locking and are primarily used on interior doors.

Made-to-order and custom assembled to your specifications, the Rome Small Door Set with Cylinder Knob is designed and crafted to stand the test of time. Made from solid brass parts and featuring premium finishes and mechanisms, each piece is built by hand to exacting quality standards.

- Made by Emtek, a respected manufacturer with decades of door hardware experience
- Covered by Manufacturer's Lifetime Limited Warranty
- Assembled in the USA of domestic and imported parts
- Ships direct from the manufacturer
- Requires non-standard door preparation and installation.
 - Single narrow 1-1/4" bore hole and 1" edge bore
- Sold as a complete set
- Includes:
 - Latch plate
 - Full-lip strike plate
 - Inside passage half spindle
 - Mounting screws
- This is made to order and non-returnable

Backset	2-3/8" or 2-3/4"
Compatible Door Thickness	1-1/4" - 1-3/4"
Door Prep	Non-Standard; Follow Instructions Carefully
Backplate Dimensions	1.5" W x 5" H
Backplate Thickness	0.375"
Knob Dimensions	2.25" Dia.
Projection	2.625"



Finish Options



Portland Flagship
2181 NW Nicolai Street, Portland, OR 97210
P: 503-230-7113

New York
27 Vestry Street, New York, NY 10013
P: 212-226-6113

Trade Sales
E: Trade@schoolhouse.com
P: 1-844-209-7735



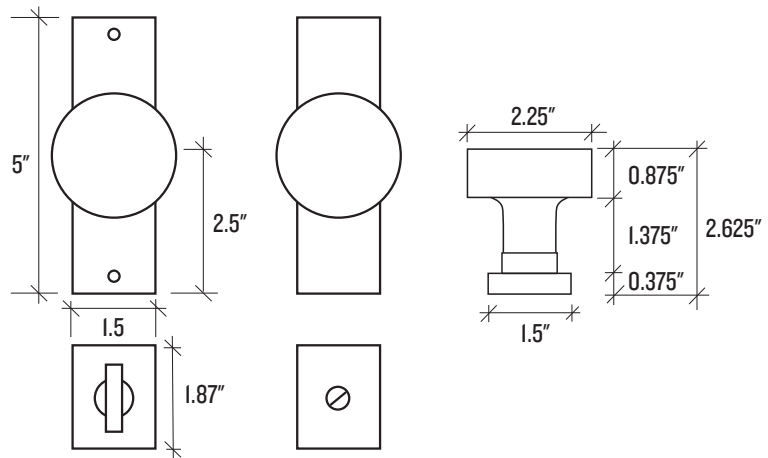
Rome Small Door Set With Cylinder Knob – Privacy

Privacy door sets lock with a thumbturn and are primarily used on bedroom and bathroom doors.

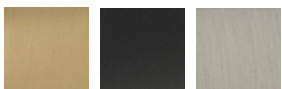
Made-to-order and custom assembled to your specifications, the Rome Small Door Set with Cylinder Knob is designed and crafted to stand the test of time. Made from solid brass parts and featuring premium finishes and mechanisms, each piece is built by hand to exacting quality standards.

- Made by Emtek, a respected manufacturer with decades of door hardware experience
- Covered by Manufacturer's Lifetime Limited Warranty
- Assembled in the USA of domestic and imported parts
- Ships direct from the manufacturer
- Requires non-standard door preparation and installation.
 - Two narrow 1-1/4" bore holes and 1" edge bores;
- Sold as a complete set
- Includes:
 - Latch plate
 - Full-lip strike plate
 - Thumbturn privacy components and strike plate
 - Inside passage half spindle
 - Mounting screws
- This is made to order and non-returnable

Backset	2-3/8" or 2-3/4"
Compatible Door Thickness	1-1/4" – 1-3/4"
Door Prep	Non-Standard; Follow Instructions Carefully
Backplate Dimensions	1.5" W x 5" H
Backplate Thickness	0.375"
Knob Dimensions	2.25" Dia.
Projection	2.625"



Finish Options



Satin Brass (SB) Flat Black (FB) Satin Nickel (SN)



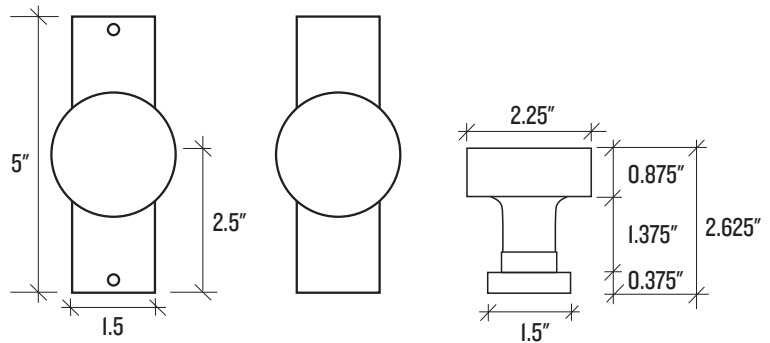
Rome Small Door Set With Cylinder Knob – Dummy, Pair

Dummy sets are non-turning and balance the look of double doors.

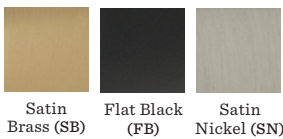
Made-to-order and custom assembled to your specifications, the Rome Small Door Set with Cylinder Knob is designed and crafted to stand the test of time. Made from solid brass parts and featuring premium finishes and mechanisms, each piece is built by hand to exacting quality standards.

- Made by Emtek, a respected manufacturer with decades of door hardware experience
- Covered by Manufacturer's Lifetime Limited Warranty
- Assembled in the USA of domestic and imported parts
- Ships direct from the manufacturer
- Non-standard door prep required
- Sold as a complete set
- Includes mounting screws
- This is made to order and non-returnable

Backplate Dimensions	1.5" W x 5" H
Backplate Thickness	0.375"
Knob Dimensions	2.25" Dia.
Projection	2.625"



Finish Options



Satin Brass (SB) Flat Black (FB) Satin Nickel (SN)

Portland Flagship
2181 NW Nicolai Street, Portland, OR 97210
P: 503-230-7113

New York
27 Vestry Street, New York, NY 10013
P: 212-226-6113

Trade Sales
E: Trade@schoolhouse.com
P: 1-844-209-7735