

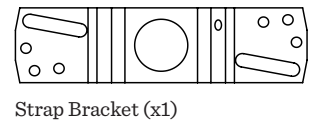
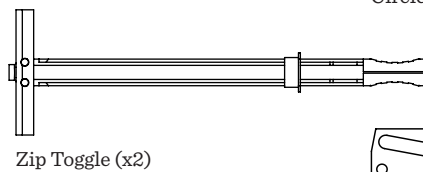
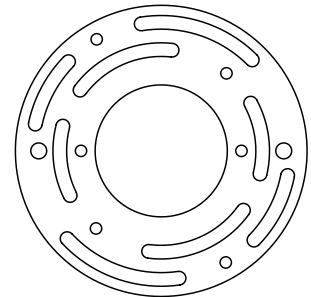
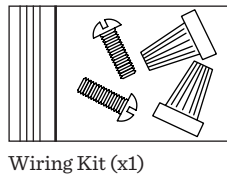
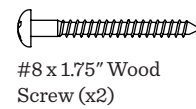
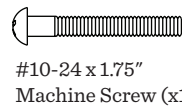
**NOTES:**

- Instructions only included for mounting non-electrical side (Secondary Canopy)
- 2-person installation

**REQUIRED TOOLS:**

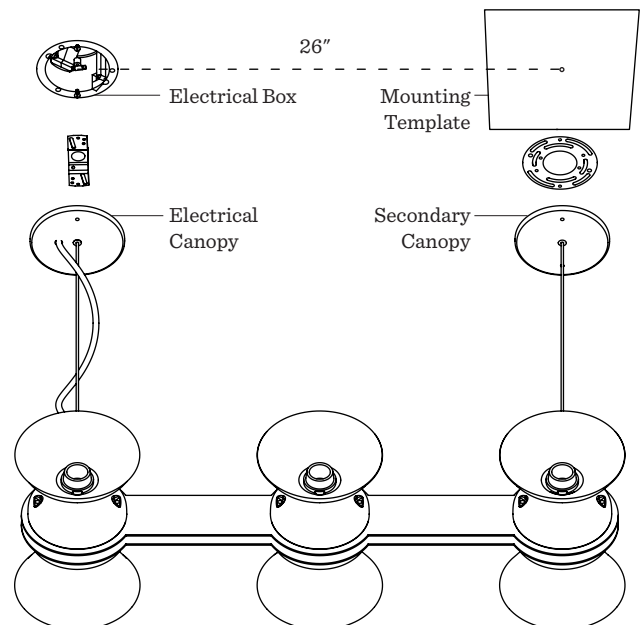
- Electric Drill
- 1/2" Drill Bit
- 1/8" Drill Bit
- 3/16" Drill Bit
- Flat Head Screwdriver
- Phillips Head Screwdriver
- Measuring Tape
- Safety Glasses
- 1/16" Allen Wrench

**INCLUDED HARDWARE + TOOLS:**



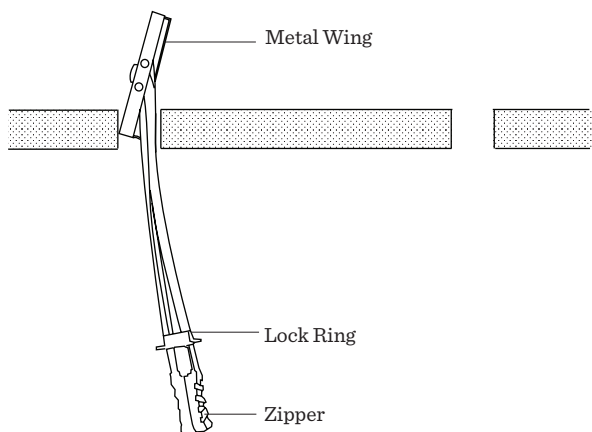
## INSTALLATION INSTRUCTIONS

1. Measure 26" from center of Electrical Box and mark location for center of Secondary Canopy.
2. Align center of Mounting Template over marked point. Orient dashed line on template with center of Electrical Box, as shown. Affix securely to ceiling with low tack tape or push pins.
3. Determine ceiling substrate behind points A and B. If a ceiling joist is present, skip to Step 7. For non-joist locations, proceed to Step 4.

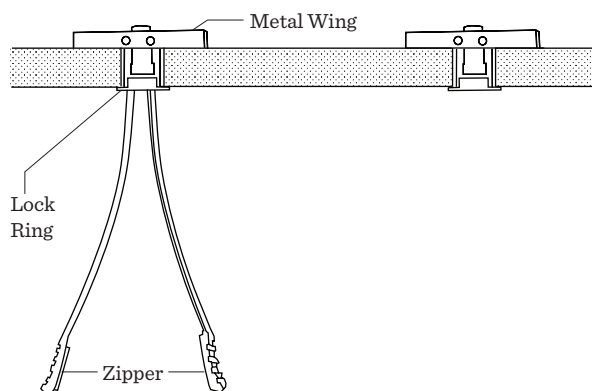


4. For non-joist locations, drill holes with  $\frac{1}{2}$ " Drill Bit at points A and B, and drill all other holes as indicated on Mounting Template. Safety Glasses are recommended for this step. Remove Mounting Template and install Zip Toggles in holes A and B as follows.

5. Push Metal Wing end of Zip Toggle through drywall while holding Zipper end of Zip Toggle.

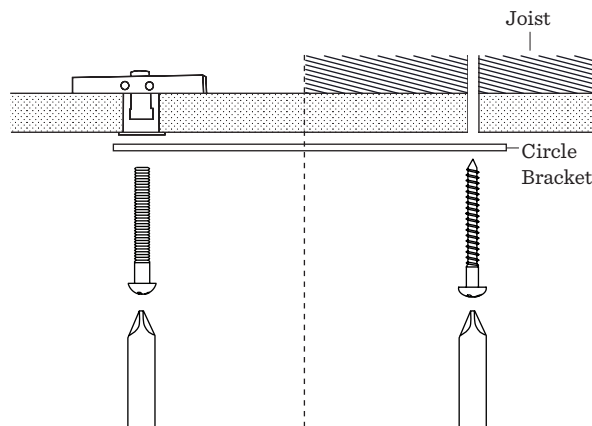


6. When Metal Wing flips back into the open position, push Lock Ring up tight against ceiling and separate Zipper halves. Zipper will break off against Lock Ring.



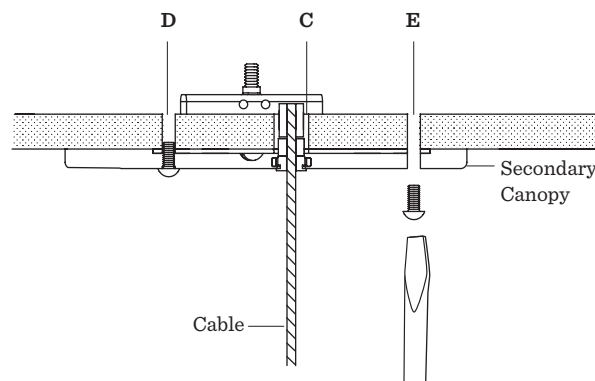
7. For ceiling joist locations, drill through drywall and into joist using  $\frac{1}{8}$ " Drill Bit at points A and B, and drill all other holes as indicated on Mounting Template. Safety Glasses are recommended for this step. Remove Mounting Template.

8. Detach Circle Bracket from Secondary Canopy and align largest holes on Circle Bracket with the Lock Rings or  $\frac{1}{8}$ " holes. Thread #10 Machine Screws into Lock Rings and/or Wood Screws into pre-drilled  $\frac{1}{8}$ " holes. Tighten Screws using a Phillips Head Screwdriver.



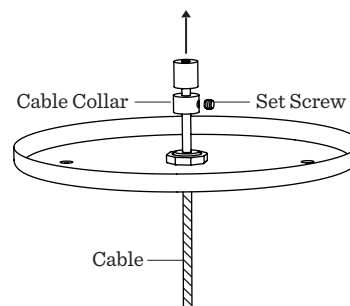
9. Use #8-32" Canopy Machine Screw to attach Secondary Canopy to Circle Bracket. Tighten using a Flat Head Screwdriver.

NOTE: Additional holes drilled in the ceiling (C, D & E) allow clearance for Canopy Screws and Cable.



10. Install Electrical Canopy on Electrical Box using enclosed Strap Bracket and Wiring Kit. Consult electrician if necessary.

11. If leveling is necessary, remove canopy on low side and loosen the Set Screw in Cable Collar with Allen Wrench. Pull Cable through canopy and tighten Set Screw. Check level and repeat as necessary.



# Regent Chandelier

MOUNTING TEMPLATE

