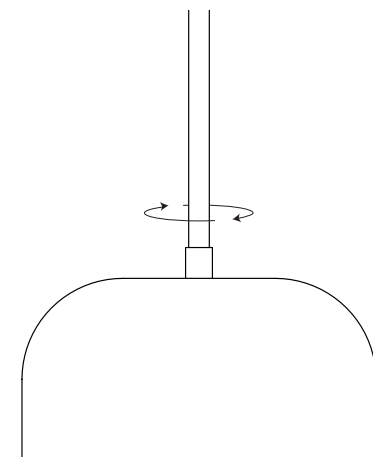
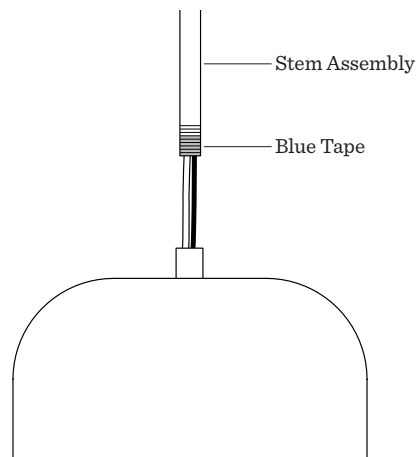
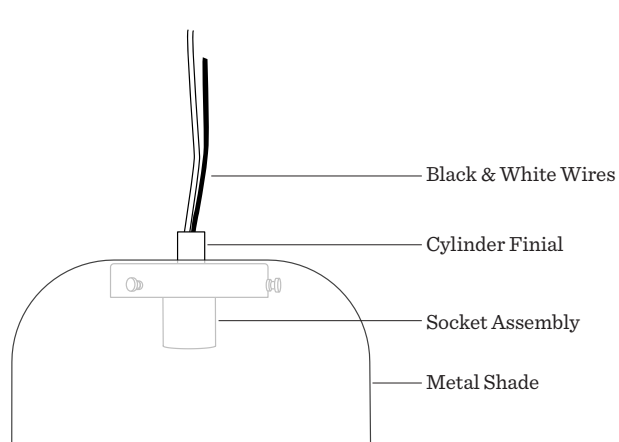


## NOTES:

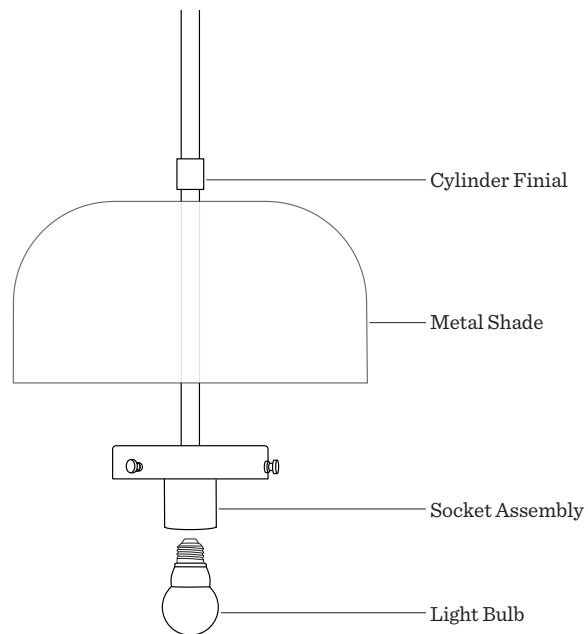
- 2-person installation
- The blue tape on the stem assembly threads will lock the two pieces together
- **DO NOT REMOVE THE BLUE TAPE**

## INSTALLATION INSTRUCTIONS

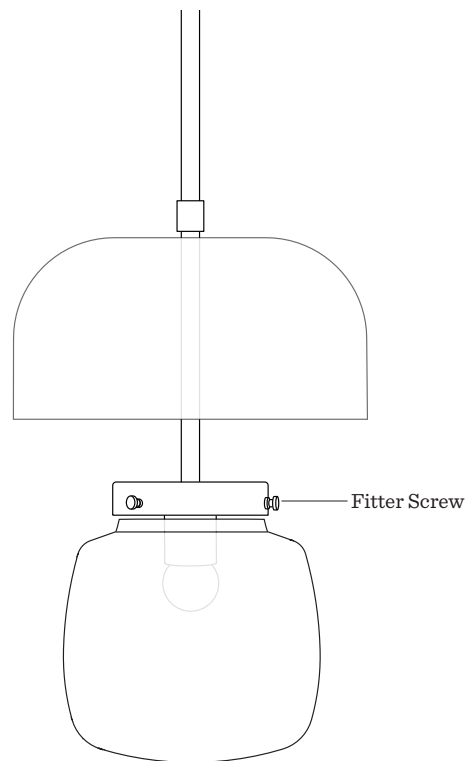
1. Place the socket assembly and Metal Shade of the pendant on a flat surface with the Cylinder Finial facing up.
2. Feed the black and white wires through the Stem Assembly until both wires exit the top. Push the Stem Assembly down to the Cylinder Finial.
3. Thread the stem assembly into the Cylinder Finial by turning the Stem Assembly clockwise until it is tight.



4. Unscrew the Cylinder Finial above the Metal Shade. Slide Finial and Shade upwards. Hold in place. Install included bulb.



5. Raise the Glass Shade over the bulb and evenly tighten Fitter Screws to secure into place.



6. Lower Metal Shade. Screw on Cylinder Finial.

