

## Princeton Long Sconce 2.25"

*Shown in True Black with Clear Wide Cone Shade and Edison Marconi Bulb*



**Application:** Wall Sconce

**Product origin:** USA

**Wattage:**

Incandescent, Medium Base Socket  
Max wattage: 100W

**Voltage:** 120/220V

**Dimensions:**

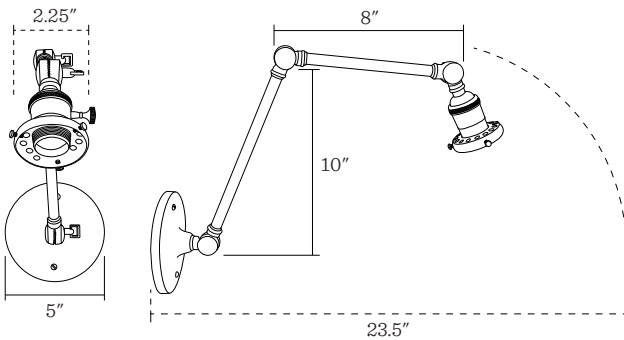
Projection: 23.5" Maximum  
Canopy Width: 5"

**Finish:** TB or NB

**Details:**

- Arm length: 10" from canopy to middle joint; 8" from middle joint to socket joint
- Depth to shade fitter: adjustable up to 23.5"
- Metal canopy, adjustable arm and shade fitter
- Also available in a plug-in version with twisted cloth cord including in-line rocker switch and plug
- Shade sold separately

One year guarantee.



### Finish Options



True Black  
(TB)



Natural Brass  
(NB)

Portland Flagship  
2181 NW Nicolai Street, Portland, OR 97210  
503-230-7113

New York  
27 Vestry Street, New York, NY 10013  
212-226-6113

Trade Sales  
trade@schoolhouse.com  
1-844-209-7735