

REQUIRED TOOLS:

Electric Drill

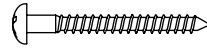
1/2" Drill Bit

5/64" Drill Bit

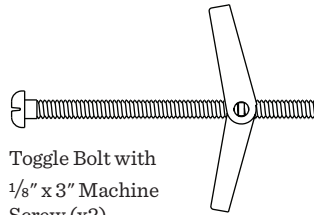
Phillips Head Screwdriver

Flat Head Screwdriver

INCLUDED HARDWARE:



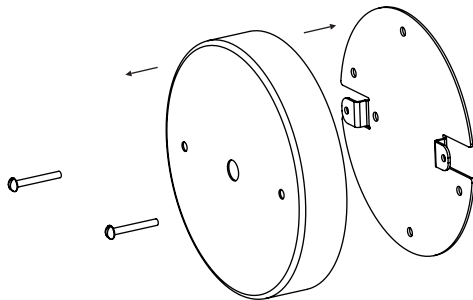
#8 x 1.75" Wood Screw (x2)



Toggle Bolt with 1/8" x 3" Machine Screw (x2)

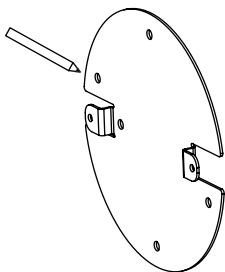
INSTALLATION INSTRUCTIONS

1. Remove bracket from back of fixture canopy by unscrewing slotted machine screws. Set screws aside for final installation.



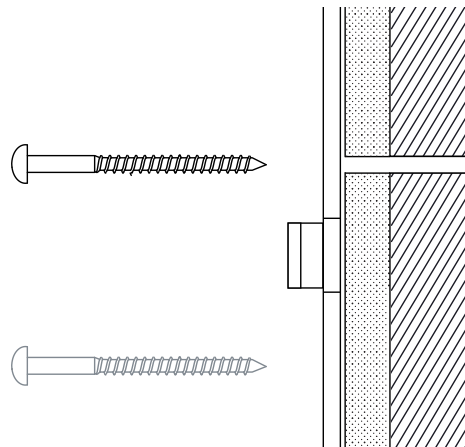
2. Holding the bracket against the wall in desired location, with fixture tabs level and parallel to the ground, mark the location of mounting holes.

Note: It is suggested to use the holes above and below each tab for mounting.



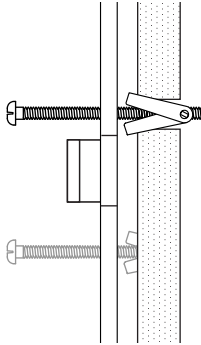
3. Determine the substrate behind mounting holes. For stud locations proceed to step 4. For non-stud locations, skip to step 5.

4. For stud locations, drill through drywall and stud using 5/64" drill bit. Hold bracket over pre-drilled holes and use provided wood screws to attach bracket. Proceed to step 7 to complete installation.



5. For Non-stud locations, drill through drywall with 1/2" Drill Bit. Insert machine screws through bracket mounting holes and thread toggle bolts onto machine screws three rotations.

Note: *If both mounting holes are in non-stud locations, it is important to attach both machine screws to bracket before proceeding to step 6.*



6. Push Toggle bolts through pre-drilled 1/2" Holes. Toggle bolt will spring open inside the wall. While gently pulling the machine screw away from the wall, tighten until mounting bracket is held firmly in place.

7. Align canopy holes with mounting bracket tabs and reattach fixture with slotted machine screws from step 1.

