

**NOTE:**

2-person installation

**REQUIRED TOOLS:**

Electric Drill

1/2" Drill Bit for non-joist locations

1/8" Drill Bit for joist locations

Flat Head Screwdriver

Phillips Head Screwdriver

Tape Measure

Safety Glasses

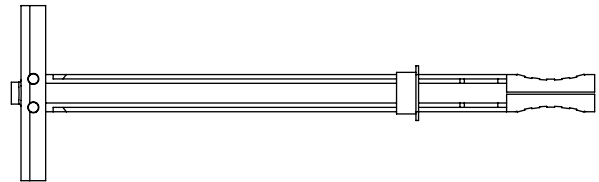
**INCLUDED HARDWARE:**



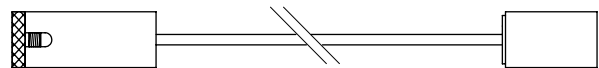
#6 x 2" Wood Screw (x2)



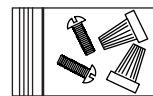
#10-24 x 2" Machine Screw (x2)



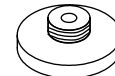
Zip Toggle (x2)



Cable Hanger (x2)

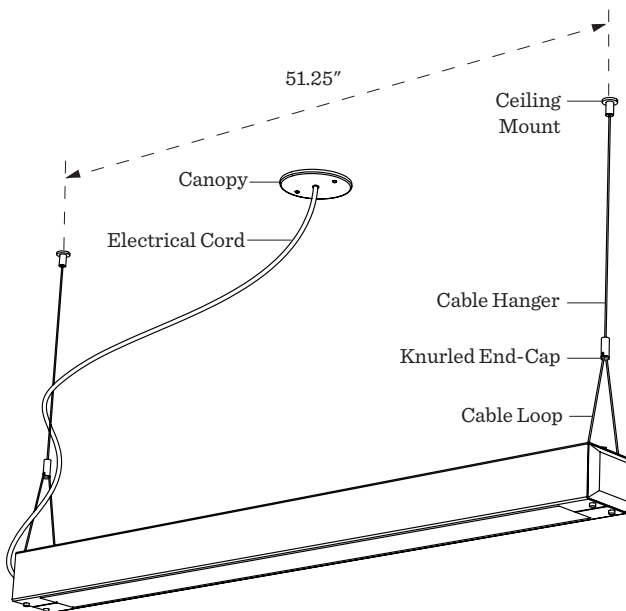


Wiring Kit (x1)

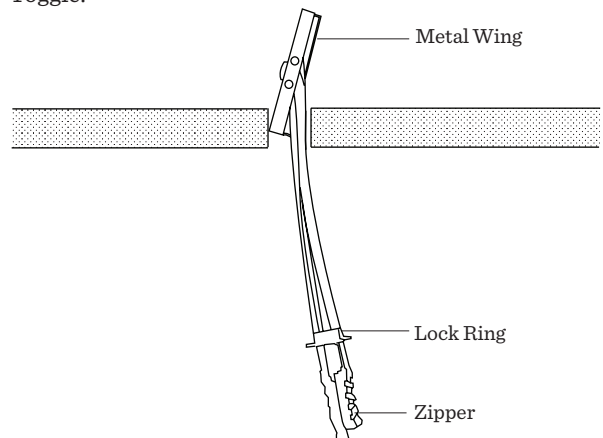


Ceiling Mount (x2)

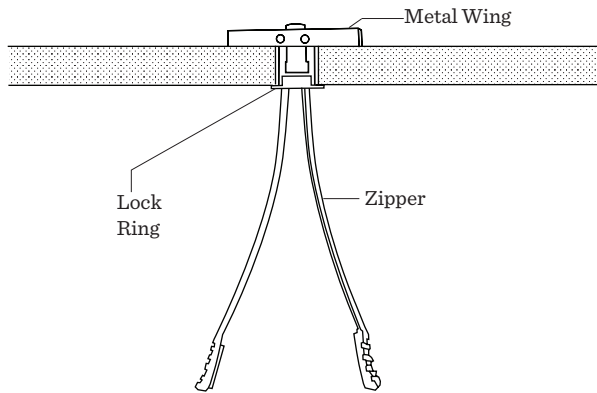
## INSTALLATION INSTRUCTIONS



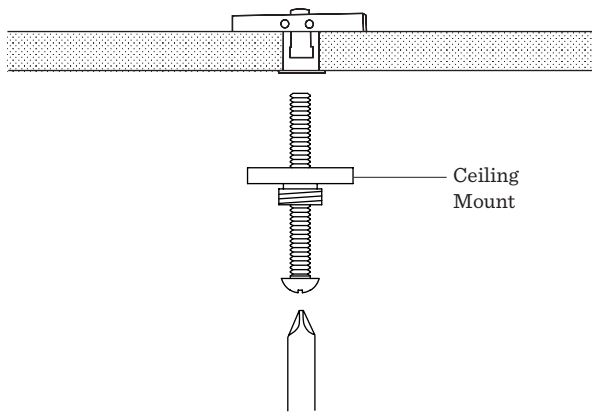
1. Locate and mark ceiling mount locations 51.25" apart. For each mounting location determine ceiling substrate. If a ceiling joist is present, skip to Step 6. For non-joist locations, proceed to Step 2.
2. For non-joist locations, drill holes with 1/2" Drill Bit. Safety Glasses are recommended for this step. For non-stud locations, drill through drywall using 1/2" Drill Bit. Clean up edge of hole so there is a flat surface for Zip Toggle to sit flush against.
3. Push Metal Wing end of Zip Toggle through pre-drilled hole(s) while holding Zipper end of Zip Toggle.



4. When Metal Wing flips back into the open position, push Lock Ring up tight against ceiling and separate Zipper halves. Zipper will break off against Lock Ring.

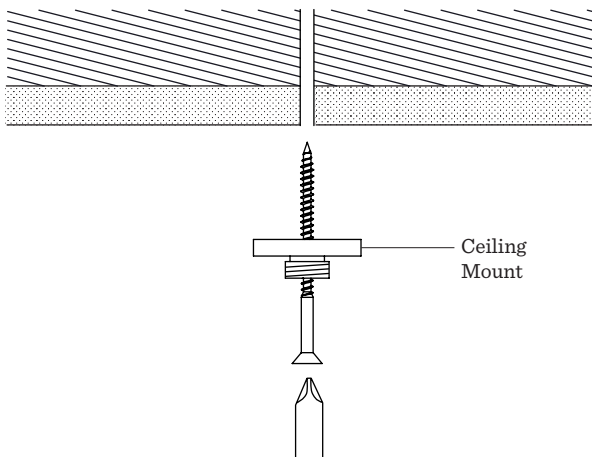


5. Thread Machine Screw(s) through Ceiling Mount(s) and into installed Zip Toggle(s) with Phillips Head Screwdriver. Skip to Step 8.

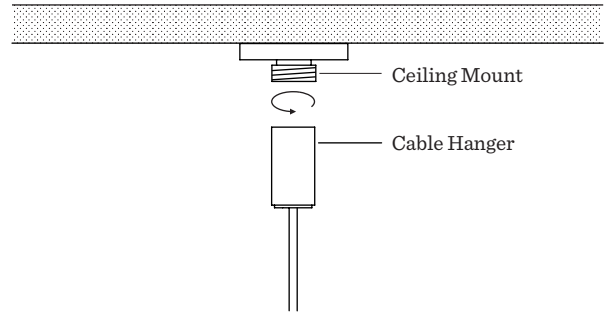


6. For ceiling joist locations, drill through drywall and joist using 1/8" Drill Bit. Safety Glasses are recommended for this step.

7. Insert Wood Screw(s) into Ceiling Mount(s) and screw into pre-drilled hole(s). Tighten using Phillips Head Screwdriver.

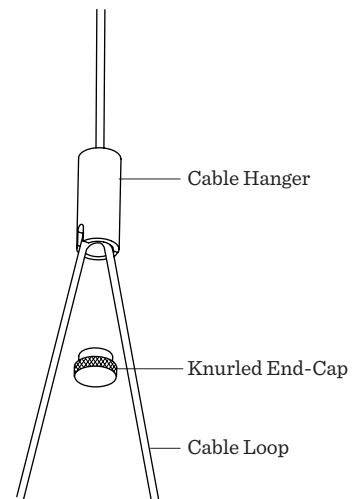


8. Thread Cable Hanger(s) onto Ceiling Mount(s) and tighten by hand.

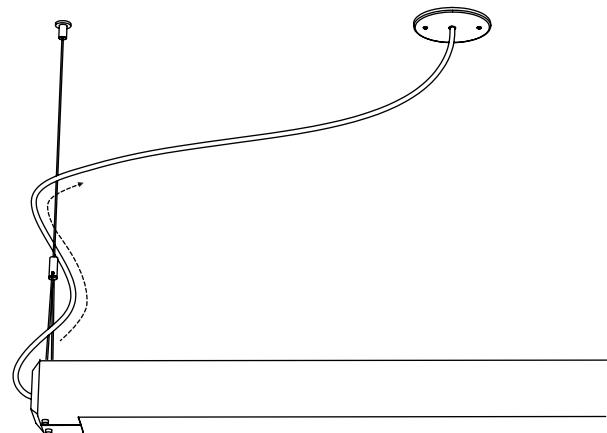


9. Unscrew Knurled End-Cap(s) from bottom of Cable Hanger(s) and set aside. While another person holds the chandelier in place, insert Cable Loop into groove in Cable Hanger(s). Then, holding the Cable Loop in place, thread Knurled End-Cap into Cable Hanger. Tighten by hand.

NOTE: Cable Loops can be freely pulled through the Cable Hanger to allow for chandelier angle adjustment.



10. Wrap electrical cord and canopy once around Cable Hanger as shown. Install canopy on electrical box using enclosed Wiring Kit. Consult an electrician if necessary.

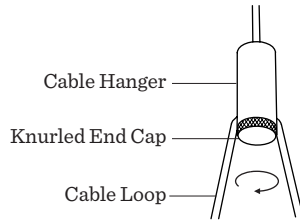


## ADJUSTMENT INSTRUCTIONS

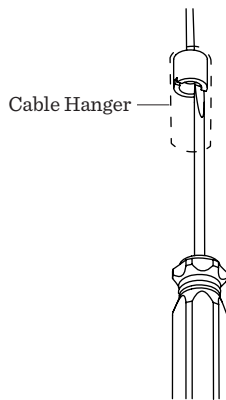
---

**NOTE:** Chandelier ships from our factory pre-leveled, but minor adjustments may be required after mounting.

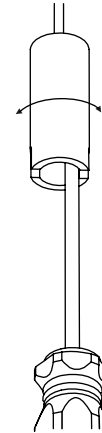
1. While another person supports the chandelier, unscrew the Knurled End-Cap and remove the Cable Loop on the low side of the chandelier.



2. Insert a Flat Head Screwdriver into Cable Hanger as shown.



3. Holding the Screwdriver in place, twist the Cable Hanger to adjust height. To raise, turn clockwise. To lower, turn counter-clockwise.



4. Reinstall Cable Loop in groove of Cable Hanger and thread Knurled End Cap into Cable Hanger. Tighten by hand.
5. Check level again and repeat as necessary.

## DIFFUSER

---

**NOTE:** Chandelier is shipped with diffuser packaged separately.

**CAUTION:** When installing diffuser, take care not to catch on any of the exposed LEDs as this may cause damage to the fixture.

1. To install diffuser, angle up and slide end into the non-electrical side first.
2. Tilt diffuser up into opening and reposition into center of chandelier.
3. For future removal for cleaning, reverse process above. Use soft damp cloth and non-abrasive cleaner.

