

NOTES:

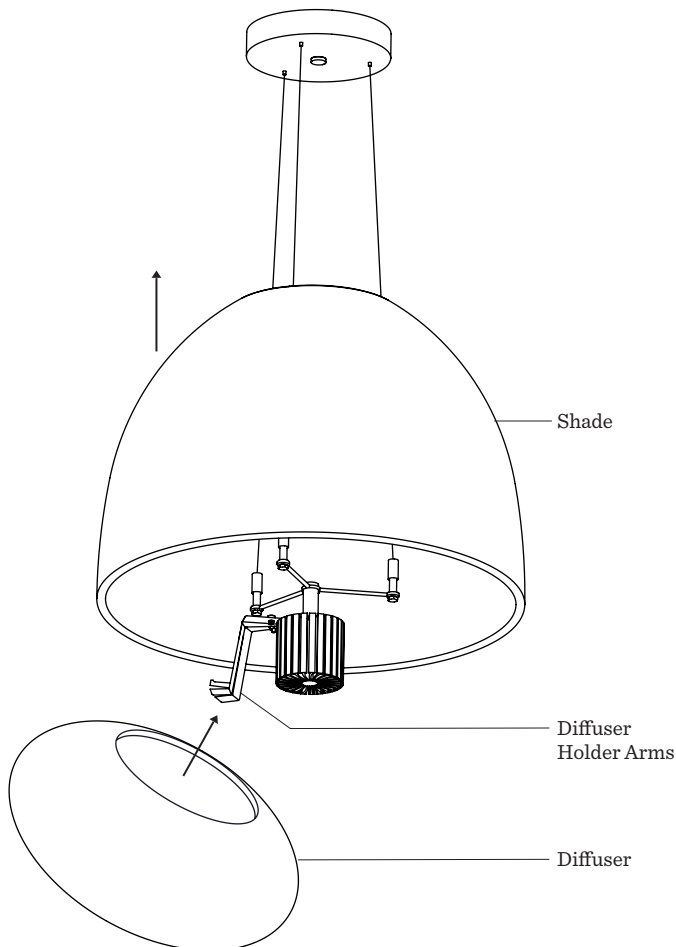
- 2-Person installation recommended
- Install fixture leaving LED components packaged. Remove when complete.
- Do not trim cables
- Pendant is shipped with Diffuser packaged separately
- Install fixture prior to installing Diffuser

REQUIRED TOOLS:

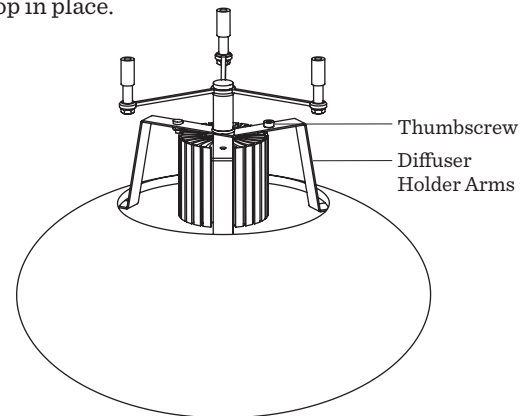
Ladder or Step Stool

INSTALLATION INSTRUCTIONS

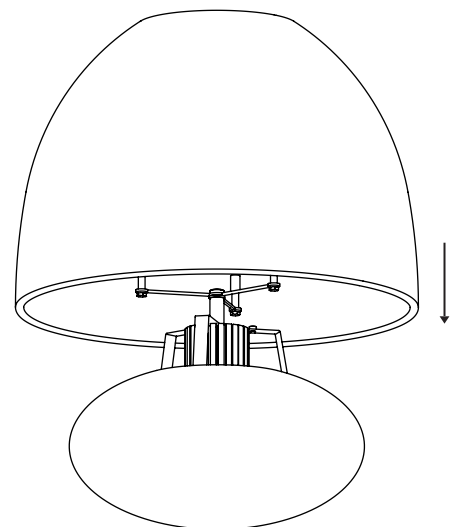
1. Make sure the light is turned off.
2. Lift Shade to expose Diffuser Holder Arms. Tilt Diffuser at an angle and carefully slide Diffuser opening around all three Diffuser Holder Arms.



3. Hold Diffuser level and locate the brass Thumbscrew on the Diffuser Holder. Grasp the Thumbscrew to fan out Diffuser Holder Arms until they are evenly spaced and stop in place.



4. Settle Diffuser on Diffuser Holder so that the Arms grip the inside lip of Diffuser. Gently lower Shade.



5. For future removal, reverse Steps 2–4, with the light turned off. Clean with a soft damp cloth and non-abrasive cleaner.