

# SCHOOLHOUSE


## Newbury 6" Integrated LED

*Shown in Polished Nickel with Traditional Schoolhouse Shade—14" Black Stripe  
Shade included, see options below*



**Application:** Surface Mount

**Product Origin:** USA

**UL Listed:**  us

**Wattage:** 16W

**Voltage:** 120V

**Location Rating:** Damp

**Dimensions:**

Overall: 6.5" H x 6.7" W

Canopy: 4.6" H

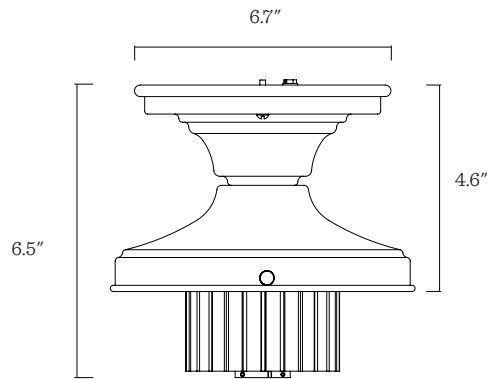
Fitter size: 6"

**Materials:** Brass, Glass shade

**Details:**

- See following pages for Photometric Data
- Compatible with all phase-cut dimmers

One year guarantee



**Shade Options**



Large Drum Shade—Opal



Large Drum Shade—Black Pinstripe



Traditional Schoolhouse Shade—14" Opal



Traditional Schoolhouse Shade—14" Black Stripe

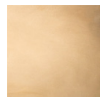
**Finish Options**



True Black (TB)



Matte Bronze (MB)



Natural Brass (NB)



Polished Nickel (PN)



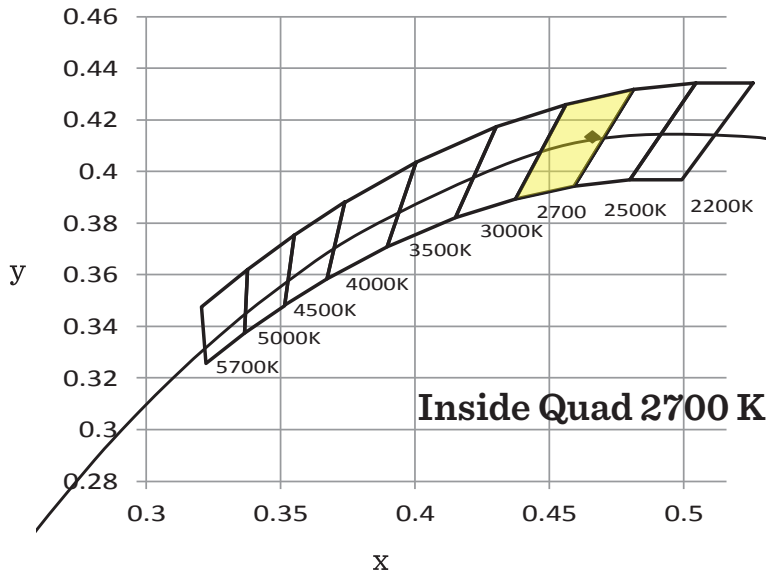
Satin Nickel (SN)

# SCHOOLHOUSE

## Newbury 6" Integrated LED with 12" Drum Shade

### Photometric Testing Data

#### Nominal CCT Quadrangles



**Luminous Flux:** 981 lumens

**Efficacy:** 61.7 lm/w

**CCT:** 2637 K

**CRI:** 81.9

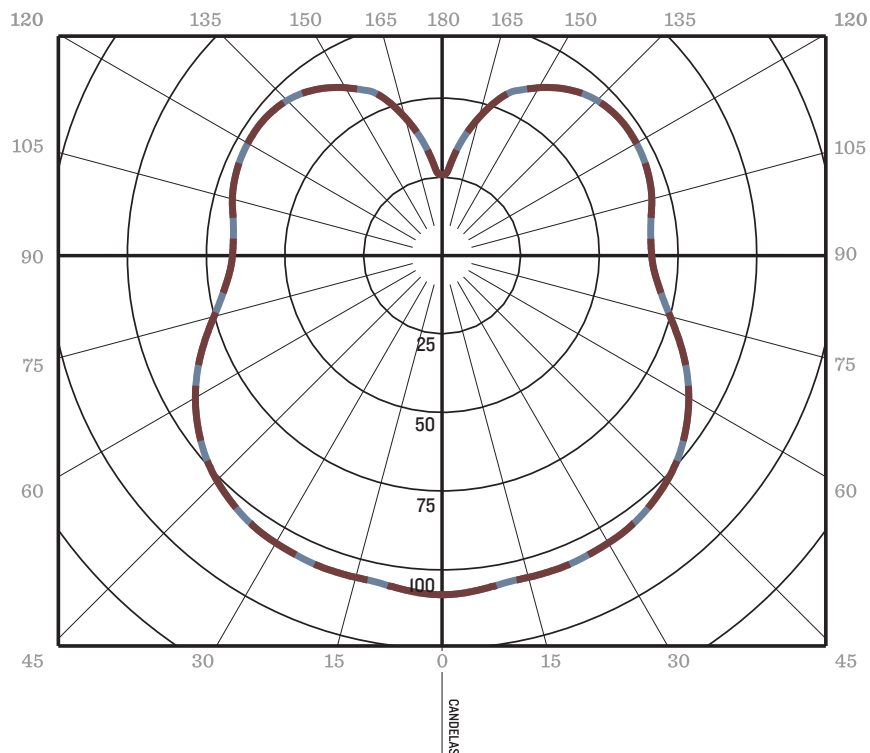
**Voltage:** 120 VAC

**Current:** 0.13A

**Power:** 15.9 W

**Hour Life:** 50,00 L70

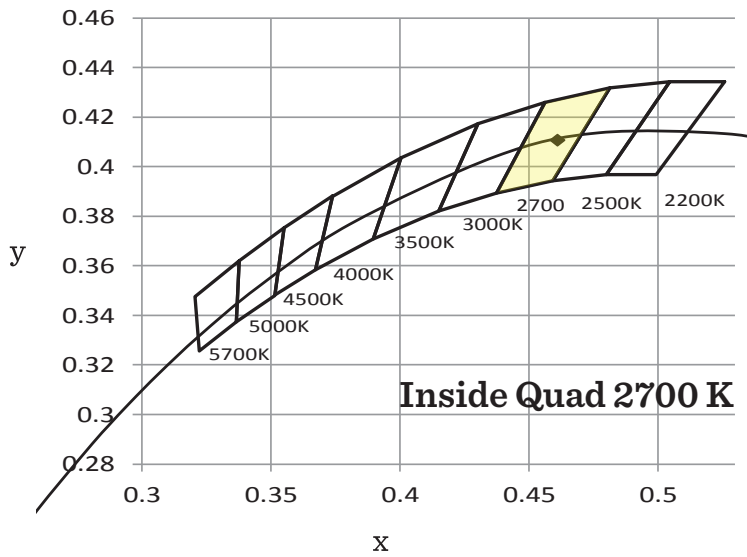
#### Polar Plot



# SCHOOLHOUSE

## Newbury 6" Integrated LED with 14" Schoolhouse Shade *Photometric Testing Data*

### Nominal CCT Quadrangles



**Luminous Flux:** 1079 lumens

**Efficacy:** 67.9 lm/w

**CCT:** 2679 K

**CRI:** 82.2

**Voltage:** 120 VAC

**Current:** 0.13A

**Power:** 15.9W

**Hour Life:** 50,00 L70

### Polar Plot

