

SCHOOLHOUSE




Newbury 4\"/>

Shown in Natural Brass with Traditional Schoolhouse Shade—10\"/>

Application: Surface Mount

Product Origin: USA

UL Listed:  us

Wattage: 12W

Voltage: 120V

Location Rating: Damp

Dimensions:

Overall: 6.6\"/>

Canopy: 5.6\"/>

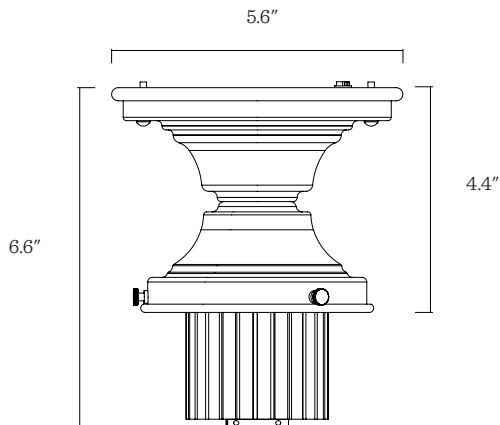
Fitter size: 4\"/>

Materials: Brass, glass shade

Details:

- See following pages for Photometric Data
- Compatible with all phase-cut dimmers

One year guarantee



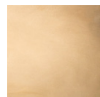
Finish Options



True Black (TB)



Matte Bronze (MB)



Natural Brass (NB)



Polished Nickel (PN)



Satin Nickel (SN)

Shade Options



Drum Shade—Opal



Drum Shade—Black Pinstripe



Traditional Schoolhouse Shade—10\"/>



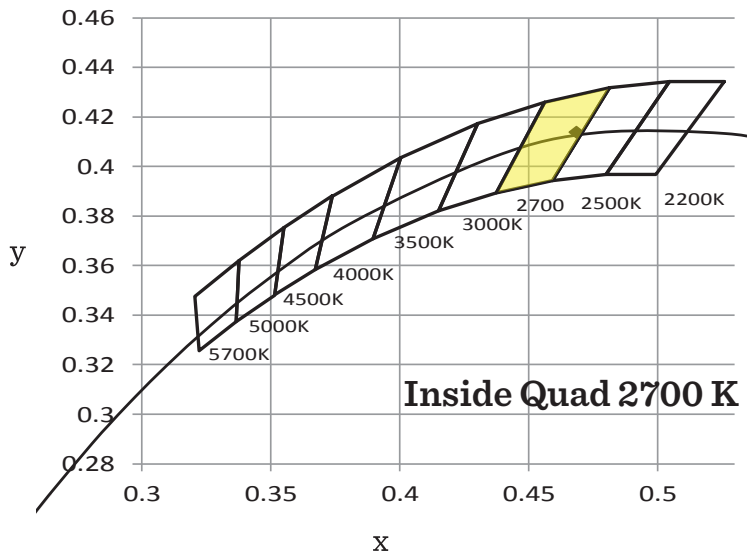
Traditional Schoolhouse Shade—10\"/>

SCHOOLHOUSE

Newbury 4" Integrated LED with 8" Drum Shade

Photometric Testing Data

Nominal CCT Quadrangles



Luminous Flux: 782 lumens

Efficacy: 67.2 lm/w

CCT: 2608 K

CRI: 81.9

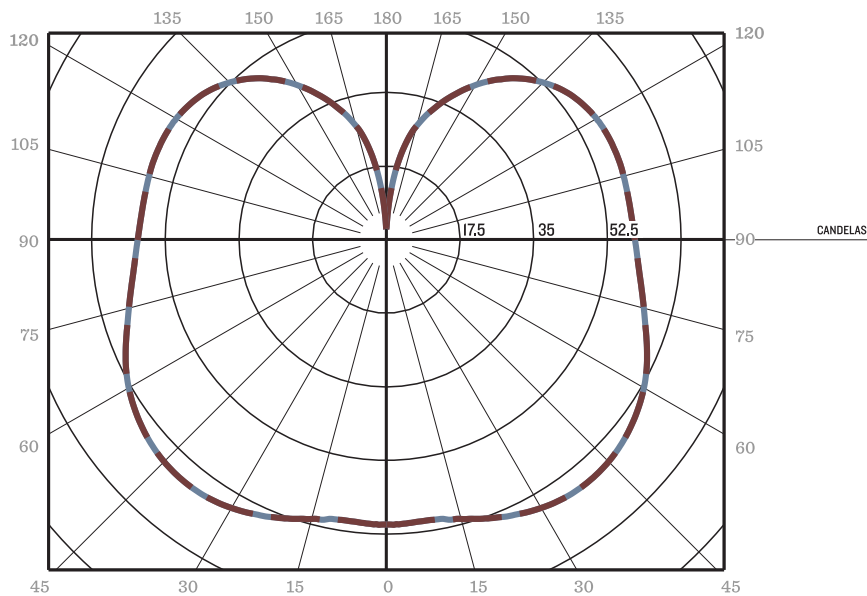
Voltage: 120 VAC

Current: 0.09A

Power: 11.6W

Hour Life: 50,00 L70

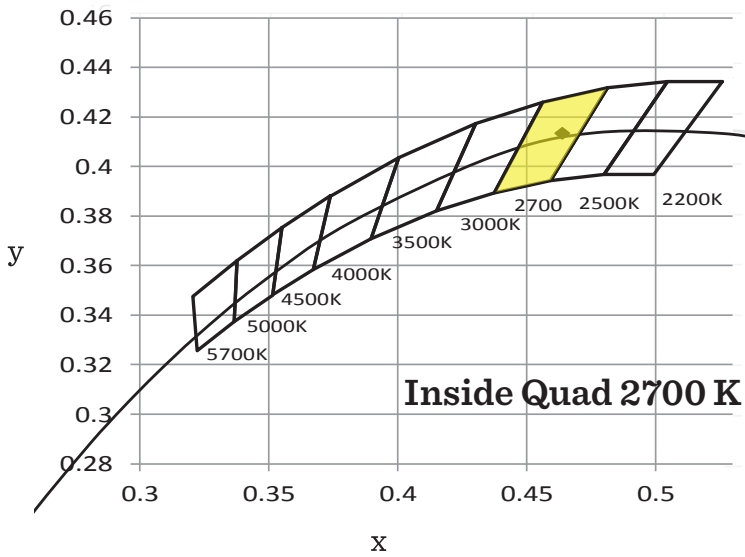
Polar Plot



SCHOOLHOUSE

Newbury 4" Integrated LED with 10" Schoolhouse Shade *Photometric Testing Data*

Nominal CCT Quadrangles



Luminous Flux: 819 lumens

Efficacy: 70.3 lm/w

CCT: 2666 K

CRI: 82

Voltage: 120 VAC

Current: 0.09A

Power: 11.6W

Hour Life: 50,00 L70

Polar Plot

