



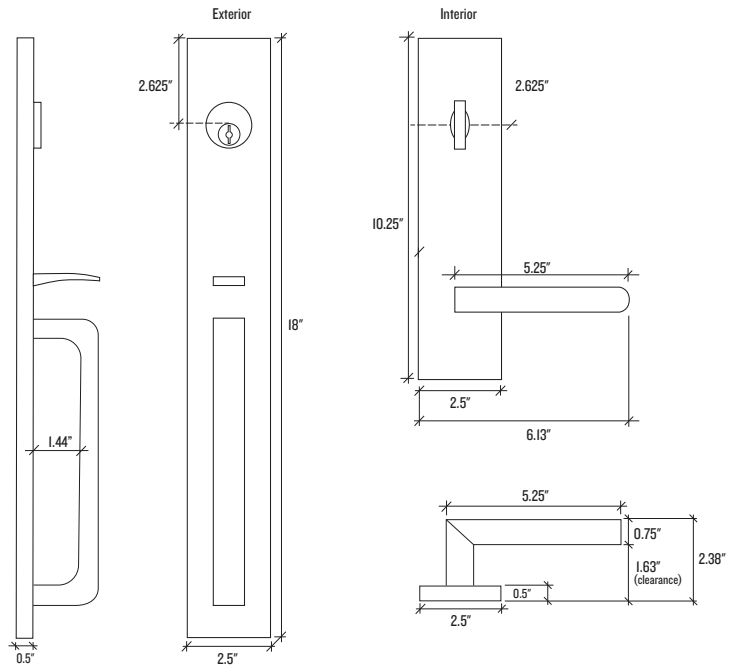
Lausanne Entrance Handleset with Otto Lever – Keyed

Keyed entrance handlesets lock with a single cylinder deadbolt and are primarily used on exterior doors.

Made-to-order and custom assembled to your specifications, the Lausanne Entrance Handleset with Otto Lever is designed and crafted to stand the test of time. Made from solid brass parts and featuring premium finishes and mechanisms, each piece is built by hand to exacting quality standards.

- Made by Emtek, a respected manufacturer with decades of door hardware experience
- Covered by Manufacturer's Lifetime Limited Warranty
- Assembled in the USA of domestic and imported parts
- Ships direct from the manufacturer
- Requires standard door preparation and installation
 - Two 2-1/8" bore holes with 5-1/2" center-to-center hole spacing
- Features Schlage C Keyway and includes 2 keys
- Sold as a complete set
- Includes:
 - Latch plate
 - Full-lip strike plate
 - Inside passage half spindle
 - 1.5" backplate screws
 - 2.25" deadbolt mounting screws, extension collar and deadbolt strike plate
- This is made to order and non-returnable

Backset	2-3/8" or 2-3/4"
Compatible Door Thickness	1-3/4" – 2-1/8"
Door Prep	Standard
Backplate Dimensions	Exterior: 2.5" W x 18" H Interior: 2.5" W x 10.25" H
Backplate Thickness	0.5"
Exterior Trim Projection	2.75"
Interior Trim Projection	2.5"
Lever Dimensions	5.25" x 0.75" Dia
Clearance Dimensions	Exterior: 1.44" Interior 1.63"
Overall Width	6.13"



Finish Options



Satin Brass (SB) Flat Black (FB) Satin Nickel (SN)

Portland Flagship
2181 NW Nicolai Street, Portland, OR 97210
P: 503-230-7113

New York
27 Vestry Street, New York, NY 10013
P: 212-226-6113

Trade Sales
E: Trade@schoolhouse.com
P: 1-844-209-7735



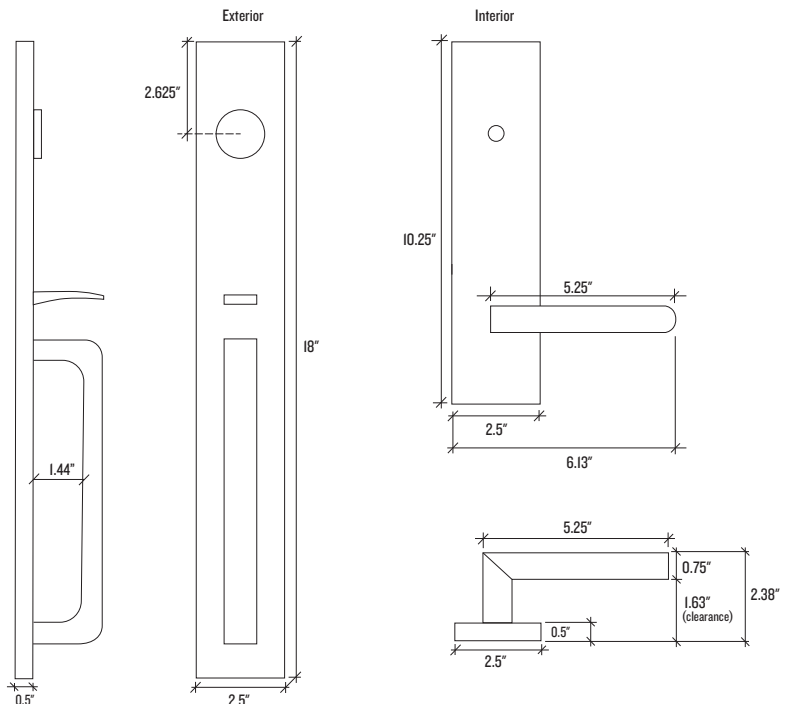
Lausanne Entrance Handleset with Otto Lever – Dummy

Dummy entrance handlesets feature non-functioning exteriors and non-turning interiors and balance the look of double doors.

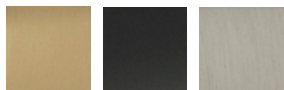
Made-to-order and custom assembled to your specifications, the Lausanne Entrance Handleset with Otto Lever is designed and crafted to stand the test of time. Made from solid brass parts and featuring premium finishes and mechanisms, each piece is built by hand to exacting quality standards.

- Made by Emtek, a respected manufacturer with decades of door hardware experience
- Covered by Manufacturer's Lifetime Limited Warranty
- Assembled in the USA of domestic and imported parts
- Ships direct from the manufacturer
- Requires standard door preparation and installation
 - Two 2-1/8" bore holes with 5-1/2" center-to-center hole spacing
 - No edge bores
- Sold as a complete set
- Includes 1.5" backplate screws
- This is made to order and non-returnable

Backplate Dimensions	Exterior: 2.5" W x 18" H Interior: 2.5" W x 10.25"H
Backplate Thickness	0.5"
Exterior Trim Projection	2.75"
Interior Trim Projection	2.5"
Lever Dimensions	5.25" x 0.75" Dia
Clearance Dimensions	Exterior: 1.44" Interior 1.63"
Overall Width	6.13"



Finish Options



Satin Brass (SB) Flat Black (FB) Satin Nickel (SN)

Portland Flagship
2181 NW Nicolai Street, Portland, OR 97210
P: 503-230-7113

New York
27 Vestry Street, New York, NY 10013
P: 212-226-6113

Trade Sales
E: Trade@schoolhouse.com
P: 1-844-209-7735