

NOTES:

- Instructions are applicable to Gantry Long Arm Sconce and Gantry Pivot Sconce.
- Two person installation recommended.

REQUIRED TOOLS:

- Electric Drill
- 1/8" Drill Bit
- 3/32" Drill Bit
- Phillips Head Screwdriver

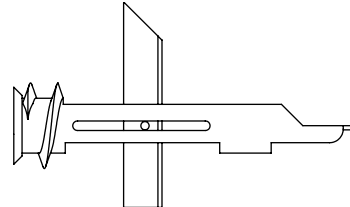
INCLUDED HARDWARE + TOOLS:



#8-32 x 1" Machine Screw (x2)



#8 x 2 1/2" Sheet Metal Screw (x2)



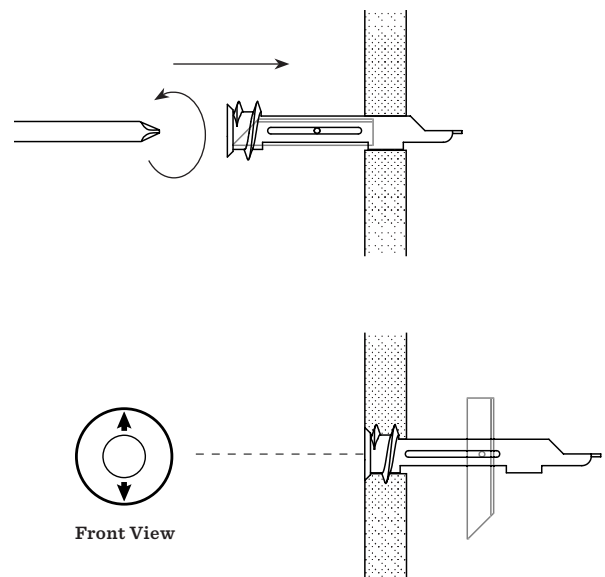
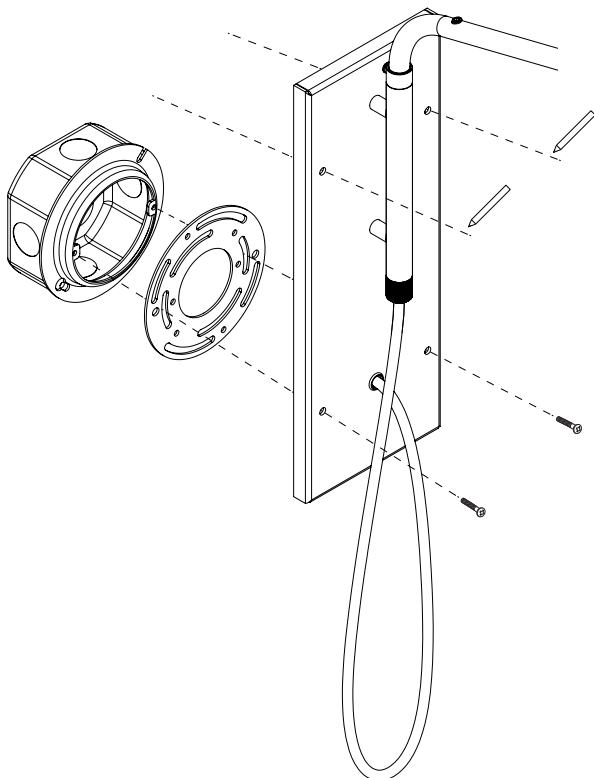
Metal Anchor (x2)

Wiring Kit (x1)

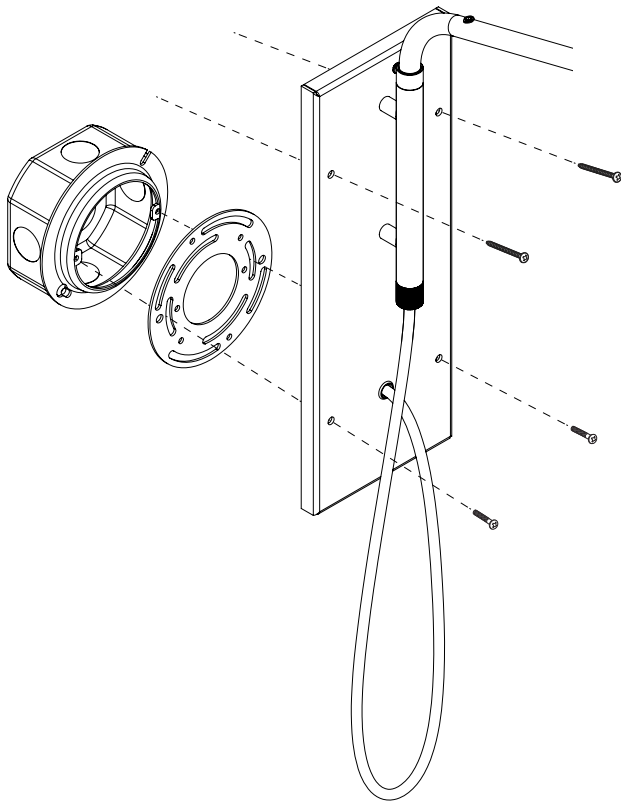
Circle Bracket (x1)

INSTALLATION INSTRUCTIONS

1. Using Machine Screws, secure the fixture to the Junction Box through the bottom Canopy holes using the included optional Circle Bracket as needed.
2. Mark location of two upper Canopy holes on wall. Remove fixture from wall.
3. For stud locations, drill through drywall and into stud using 1/8" Drill Bit.
4. For non-stud locations, use #2 Phillips Head Screwdriver to slightly press Metal Anchor tip into drywall. Turn Anchor until flush with drywall and arrows on head of Anchor point up and down. Do not over tighten.



5. While one person supports the sconce, wire fixture to junction box using provided wiring kit and circle bracket. Consult electrician if necessary.
6. While still supporting the fixture, thread Machine Screws through lower Canopy holes and Circle Bracket into Junction Box.
7. For stud locations, screw Sheet Metal Screws into top Canopy holes and pre-drilled holes in wall.



8. For non-stud locations, screw Sheet Metal Screws into top Canopy holes and pre-installed Metal Anchors. Screws will engage toggle bar and when toggle bar is secured against wall, screws will stop turning.

