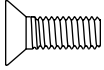
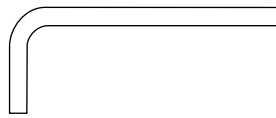


INCLUDED HARDWARE & TOOLS:



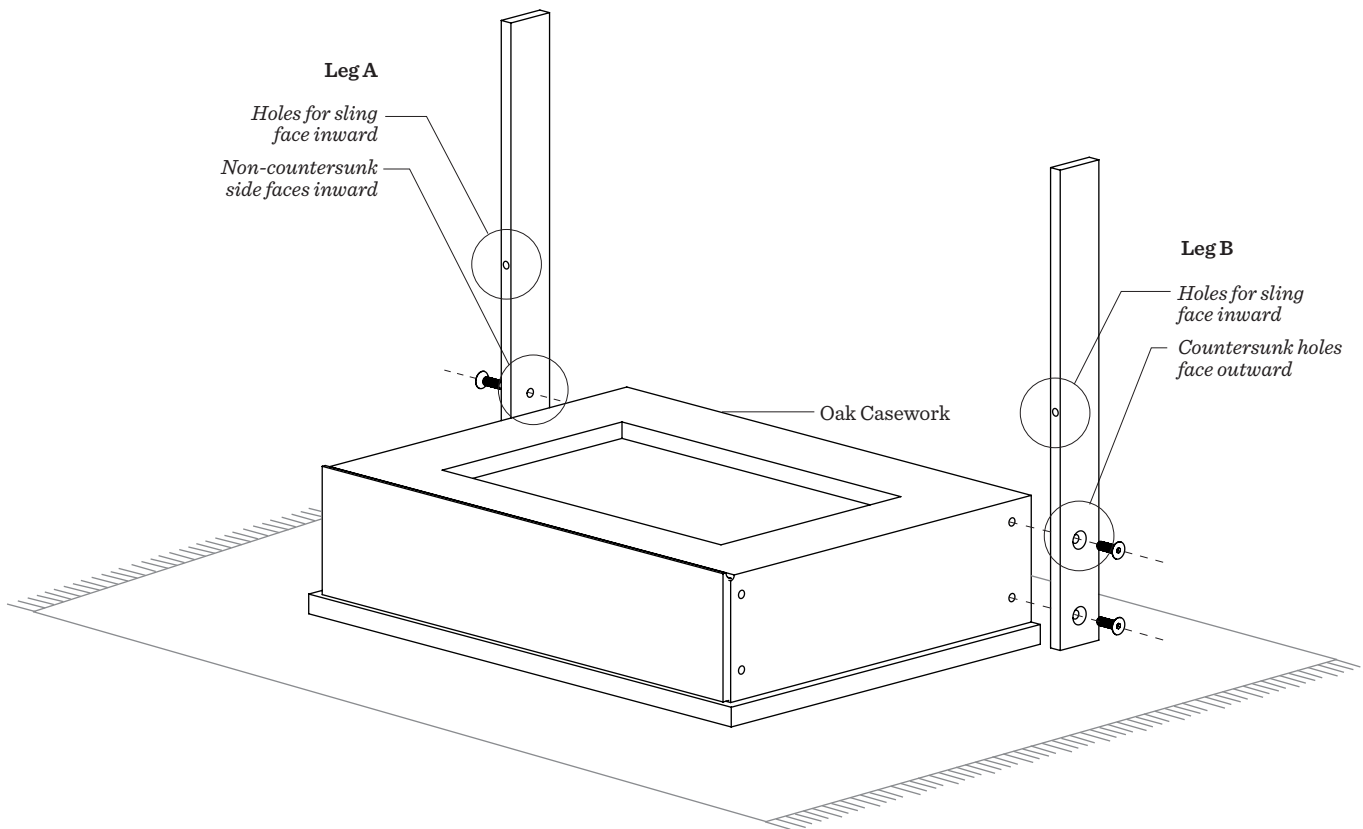
$\frac{15}{16}$ " -18 x 1"
Chrome Screws (x8)



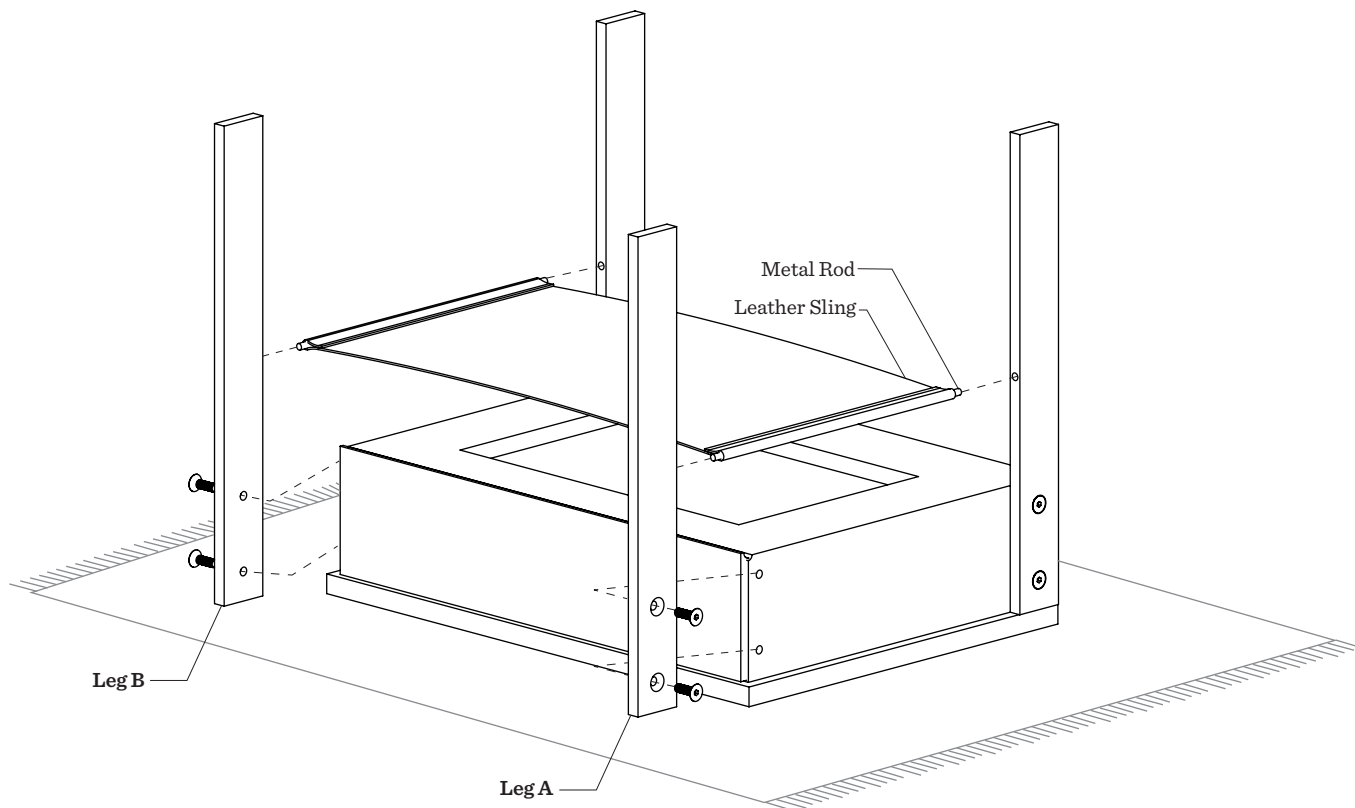
$\frac{3}{16}$ " Allen Wrench (x1)

INSTALLATION INSTRUCTIONS

1. Place Oak Casework upside down on a soft surface, such as a towel or a rug.
2. Using (4) Chrome Screws and Allen Wrench, attach (1) Leg A and (1) Leg B, as shown, to Oak Casework. Use care when tightening Legs to avoid marring the surface.



3. Install Leather Sling by inserting Metal Rods into holes in attached Legs. Face smooth side of leather towards Oak Casework. Insert (1) Leg A onto Metal Rod as shown and attach to Oak Casework using (2) Chrome Screws and Allen Wrench. Repeat on other side with (1) Leg B. Use care when tightening the legs to avoid marring the surface.



4. Turn Charles Side Table / Nightstand right side up and enjoy.

