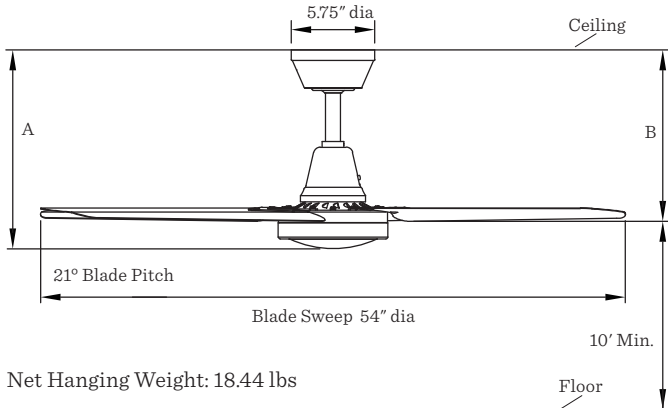


# SCHOOLHOUSE



Net Hanging Weight: 18.44 lbs

	A	B
Fan with 6" Downrod	13.49"	11.60"
Fan with 12" Downrod	19.49"	17.60"
Fan with 18" Downrod	25.49"	23.60"
Fan with 24" Downrod	31.49"	29.60"
Fan with 36" Downrod	43.49"	41.60"
Fan with 48" Downrod	55.49"	53.60"
Fan with 60" Downrod	67.49"	65.60"
Fan with 72" Downrod	79.49"	77.60"

## Airflow/Energy Efficiency Info (120V)

Fan Speed	High	Medium	Low
Max RPM	233	161	91
CFM	6659	4595	2544
CFM/Watts	127	181	280
Amps	.44	.31	.19
Watts	53	25	9

## Engery Guide FTC

Power (W <sub>ave</sub> )	57
Total Air Delivery (CFM <sub>ave</sub> )	7071
Estimated Yearly Energy Cost (\$)	30
Ceiling Fan Efficiency (CFM/W)	124

## Ascension 54" Ceiling Fan

*Shown in Brushed Nickel*

### INSTALLATION REQUIREMENTS:

Fan must be attached to a securely anchored electrical junction box capable of withstanding a load of at least 35 lbs. Note: Distance from floor to blades must be at least 10 feet.

### ELECTRICAL REQUIREMENTS:

Requires a grounded electrical supply line of 120 volts AC, 60 Hz, 15 amp circuit.

### MOTOR SPECS:

188 x 18 AC motor is designed for optimal performance with this fan.

### BLADE SET:

A set of four 24" steel blades is included.

### CONTROL OPTIONS:

3-speed wall control is included. Slide button wall control has 3 fan speeds and off button. Instructions are provided.

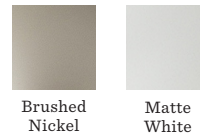
### DOWNROD OPTIONS:

Fan comes with a 1" dia. x 6" long downrod. Optional downrods are available in 12", 18", 24", 36", 48", 60" and 72" lengths. The fan can be mounted on a sloped ceiling up to 27°. Optional sloped ceiling ball kits are available for slope angles greater than 27° and up to 42°. Call technical support for more information.

### LOCATION USE:

Fan is rated for dry and damp locations.

### AVAILABLE FINISHES:



Brushed Nickel

Matte White



Portland Flagship  
2181 NW Nicolai Street, Portland, OR 97210  
503-230-7113

New York  
27 Vestry Street, New York, NY 10013  
212-226-6113

Trade Sales  
trade@schoolhouse.com  
1-844-209-7735