

SCHOOLHOUSE



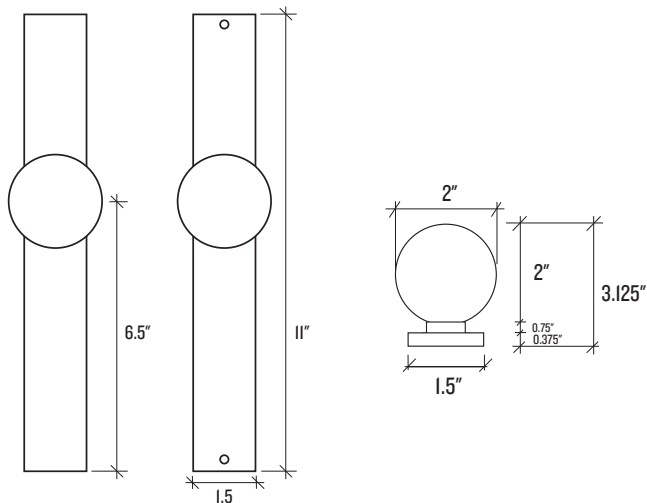
Rome Tall Door Set with Globe Knob— Passage

Passage sets are non-locking and are primarily used on interior doors or on exterior doors paired with a coordinating deadbolt.

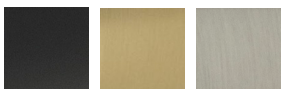
Made-to-order and custom assembled to your specifications, the Rome Tall Door Set with Globe Knob is designed and crafted to stand the test of time. Made from solid brass parts and featuring premium finishes and mechanisms, each piece is built by hand to exacting quality standards.

- Made by Emtek, a respected manufacturer with decades of door hardware experience
- Covered by Manufacturer's Lifetime Limited Warranty
- Assembled in the USA of domestic and imported parts
- Ships direct from the manufacturer
- Requires non-standard door preparation and installation. See included Door Prep Template. Not compatible with pre-bored doors; New door prep ONLY.
 - Single narrow 1-1/4" bore hole and 1" edge bore
- Sold as a complete set
- Includes:
 - Latch plate
 - Full-lip strike plate
 - Inside passage half spindle
 - Mounting screws
- This is made to order and non-returnable

Backset	2-3/8" or 2-3/4"
Compatible Door Thickness	1-1/4" - 1-3/4"
Door Prep	Non-Standard; Follow Instructions Carefully
Backplate Dimensions	1.5" W x 11" H
Backplate Thickness	0.375"
Knob Dimensions	2" Dia.
Projection	3.125"



Finish Options



Flat Black (FB) Satin Brass (SB) Satin Nickel (SN)

SCHOOLHOUSE



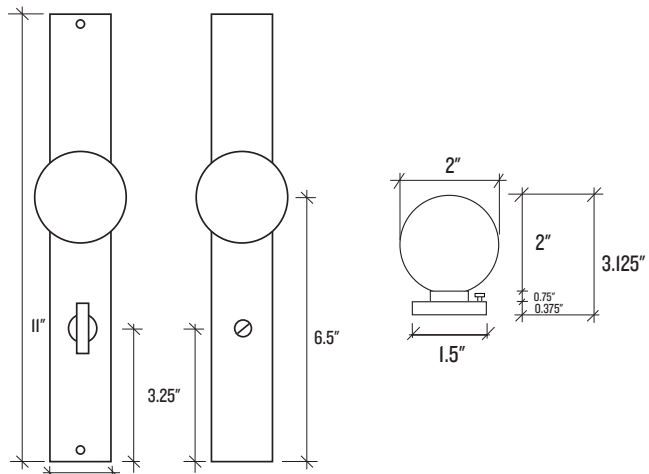
Rome Tall Door Set with Globe Knob—Privacy

Privacy door sets lock with a thumbturn and are primarily used on bedroom and bathroom doors.

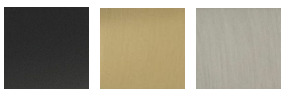
Made-to-order and custom assembled to your specifications, the Rome Tall Door Set with Globe Knob is designed and crafted to stand the test of time. Made from solid brass parts and featuring premium finishes and mechanisms, each piece is built by hand to exacting quality standards..

- Made by Emtek, a respected manufacturer with decades of door hardware experience
- Covered by Manufacturer's Lifetime Limited Warranty
- Assembled in the USA of domestic and imported parts
- Ships direct from the manufacturer
- Requires non-standard door preparation and installation. See included Door Prep Template. Not compatible with pre-bored doors; New door prep ONLY.
 - Two narrow 1-1/4" bore holes and 1" edge bores;
 - 3-3/8" center-to-center hole spacing
- Sold as a complete set
- Includes:
 - Latch plate
 - Full-lip strike plate
 - Thumbturn privacy components and strike plate
 - Inside passage half spindle
 - Mounting screws
- This is made to order and non-returnable

Backset	2-3/8" or 2-3/4"
Compatible Door Thickness	1-1/4" - 1-3/4"
Door Prep	Non-Standard; Follow Instructions Carefully
Backplate Dimensions	1.5" W x 11" H
Backplate Thickness	0.375"
Knob Dimensions	2" Dia.
Projection	3.125"



Finish Options



Flat Black (FB) Satin Brass (SB) Satin Nickel (SN)

SCHOOLHOUSE



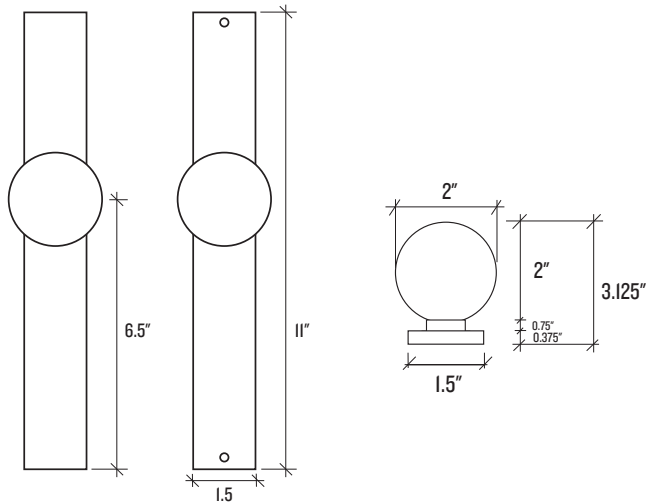
Rome Tall Door Set with Globe Knob— Dummy, Pair, Non-Keyed

*Dummy sets are non-turning and balance the look of double doors.
Proportions of non-keyed dummy sets match those of Passage sets.*

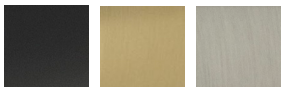
Made-to-order and custom assembled to your specifications, the Rome Tall Door Set with Globe Knob is designed and crafted to stand the test of time. Made from solid brass parts and featuring premium finishes and mechanisms, each piece is built by hand to exacting quality standards.

- Made by Emtek, a respected manufacturer with decades of door hardware experience
- Covered by Manufacturer's Lifetime Limited Warranty
- Assembled in the USA of domestic and imported parts
- Ships direct from the manufacturer
- Non-standard door prep required
- Sold as a complete set
- Includes mounting screws
- This is made to order and non-returnable

Backplate Dimensions	1.5" W x 11" H
Backplate Thickness	0.375"
Knob Dimensions	2" Dia.
Projection	3.125"

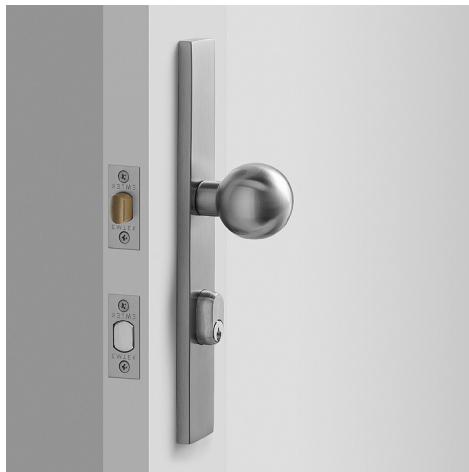
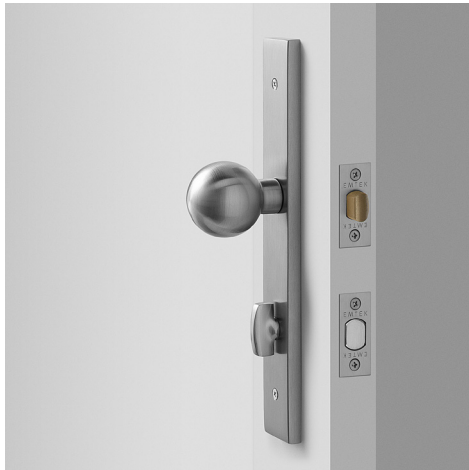


Finish Options



Flat Black (FB) Satin Brass (SB) Satin Nickel (SN)

SCHOOLHOUSE



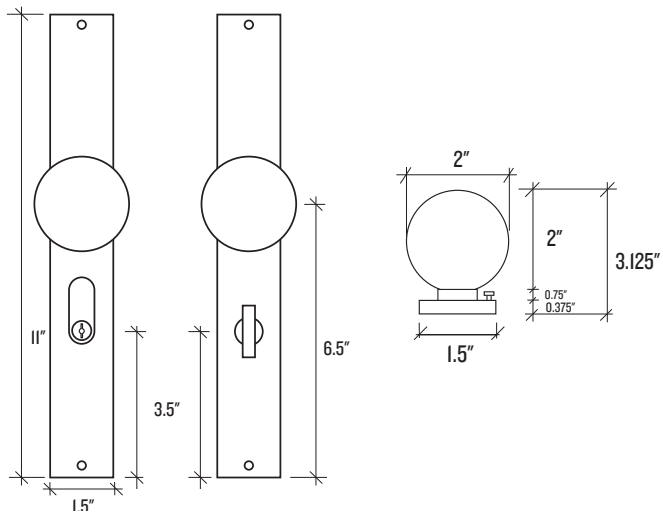
Rome Tall Door Set with Globe Knob—Keyed

Keyed sets lock with a single cylinder deadbolt and are primarily used on exterior doors.

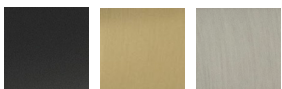
Made-to-order and custom assembled to your specifications, the Rome Tall Door Set with Globe Knob is designed and crafted to stand the test of time. Made from solid brass parts and featuring premium finishes and mechanisms, each piece is built by hand to exacting quality standards.

- Made by Emtek, a respected manufacturer with decades of door hardware experience
- Covered by Manufacturer's Lifetime Limited Warranty
- Assembled in the USA of domestic and imported parts
- Ships direct from the manufacturer
- Requires non-standard door preparation and installation. See included Door Prep Template. Not compatible with pre-bored doors; New door prep ONLY.
 - Two narrow 1-1/4" bore holes and 1" edge bores; 3-3/8" center-to-center hole spacing
- Features Schlage C Keyway and includes 2 keys
- Sold as a complete set
- Includes
 - Latch plate
 - Full-lip strike plate
 - Deadbolt strike plate
 - Inside passage half spindle
 - Mounting screws
- This is made to order and non-returnable

Backset	2-3/8" or 2-3/4"
Compatible Door Thickness	1-1/4" - 1-3/4"
Door Prep	Non-Standard; Follow Instructions Carefully
Backplate Dimensions	1.5" W x 11" H
Backplate Thickness	0.375"
Knob Dimensions	2" Dia.
Projection	3.125"



Finish Options



Flat Black (FB) Satin Brass (SB) Satin Nickel (SN)

SCHOOLHOUSE



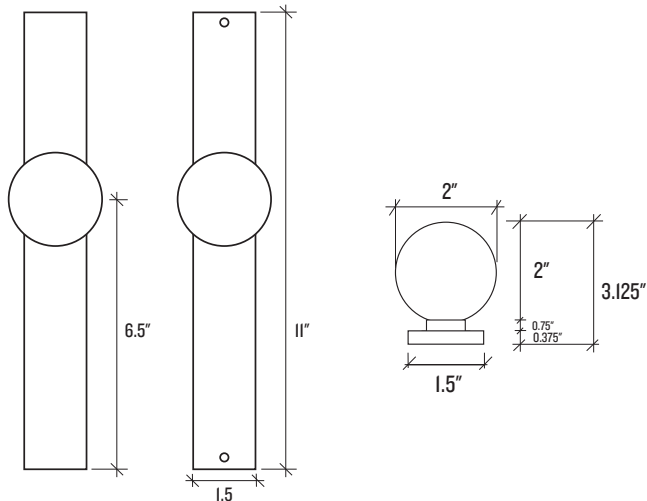
Rome Tall Door Set with Globe Knob— Dummy, Paired, Keyed

Dummy sets are non-turning and balance the look of double doors. Proportions of keyed dummy sets match those of Keyed sets.

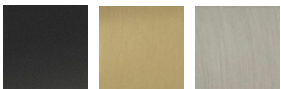
Made-to-order and custom assembled to your specifications, the Rome Tall Door Set with Globe Knob is designed and crafted to stand the test of time. Made from solid brass parts and featuring premium finishes and mechanisms, each piece is built by hand to exacting quality standards. .

- Made by Emtek, a respected manufacturer with decades of door hardware experience
- Covered by Manufacturer's Lifetime Limited Warranty
- Assembled in the USA of domestic and imported parts
- Ships direct from the manufacturer
- Non-standard door prep required
- Sold as a complete set
- Includes mounting screws
- This is made to order and non-returnable

Backplate Dimensions	1.5" W x 11" H
Backplate Thickness	0.375"
Knob Dimensions	2" Dia.
Projection	3.125"



Finish Options



Flat Black (FB) Satin Brass (SB) Satin Nickel (SN)