

NOTES:

- Instructions and installation template are applicable to Gantry Long Arm Plug-In Sconce and Gantry Pivot Plug-In Sconce.
- Two person installation recommended.

REQUIRED TOOLS:

- Electric Drill
- 1/8" Drill Bit
- 1/2" Drill Bit
- Flat Head Screwdriver

INCLUDED HARDWARE + TOOLS:



#10-24 x 2" Machine Screw (x4)



#10 x 2" Wood Screw (x4)

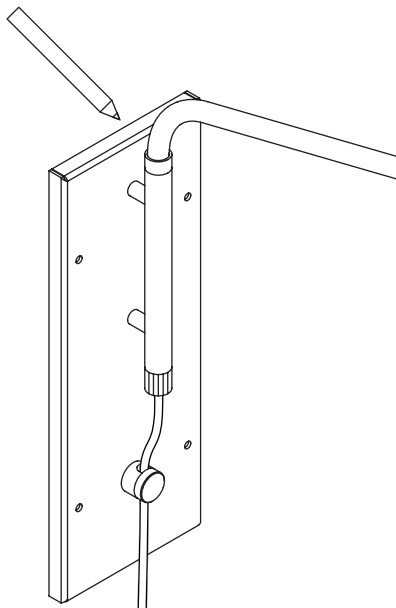


Zip Toggle (x4)

Mounting Template (x1)

INSTALLATION INSTRUCTIONS

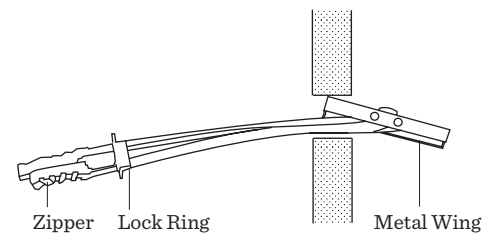
1. Hold Sconce against wall in mounting location. With a pencil, mark top/center of Fixture.



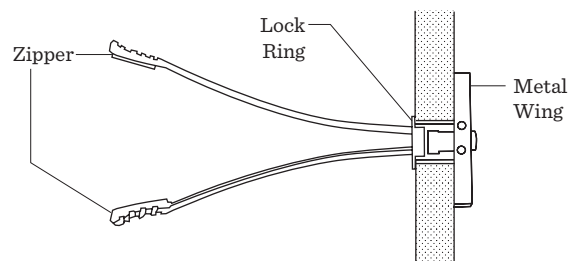
2. Adhere Mounting Template to wall and determine wall substrate behind points B, C, D, and E.
3. For stud locations, drill through drywall and into stud using 1/8" Drill Bit.

4. For non-stud locations, drill through drywall using 1/2" Drill Bit. Remove Mounting Template and install Zip Toggles as follows.

5. Push Metal Wing end of Zip Toggle through drywall while holding Zipper end of Zip Toggle.

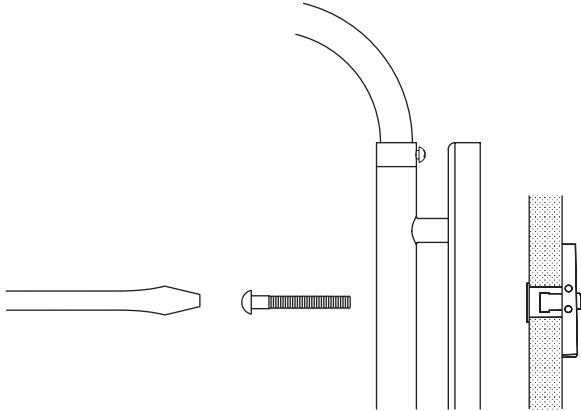


6. When Metal Wing flips back into the open position, push Lock Ring up tight against wall and separate Zipper halves. Zippers will break off against Lock Ring.



7. While supporting the fixture, thread Machine Screws through Canopy into Lock Rings and/or Wood Screws into pre-drilled holes. Tighten with Flat Head Screwdriver.

.....
Non-stud Location



.....
Stud Location

