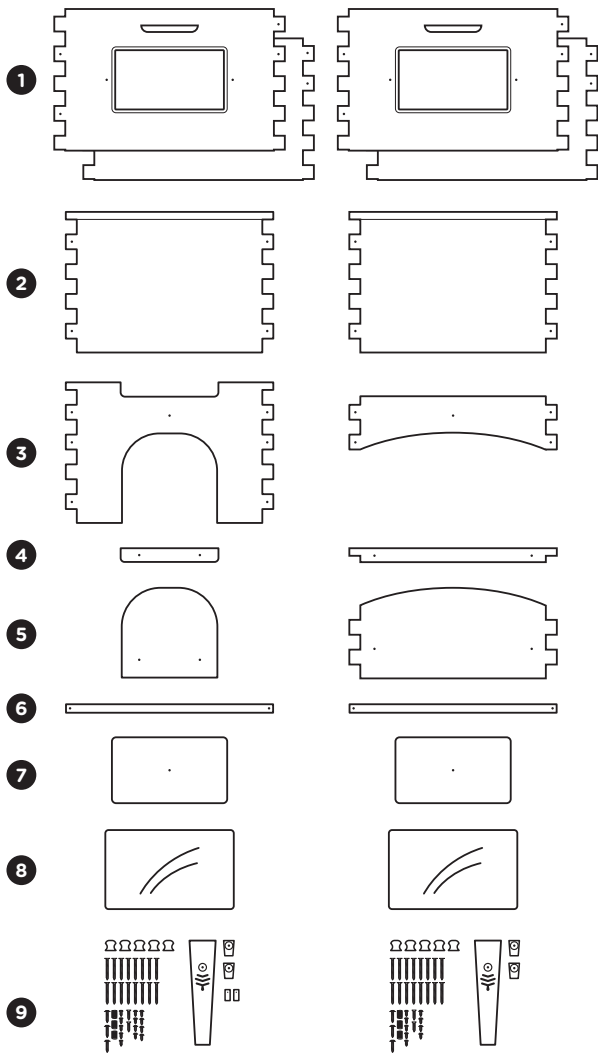


ASSEMBLING YOUR FLOW™ BOX

PARTS LIST FLOW™ LIGHT

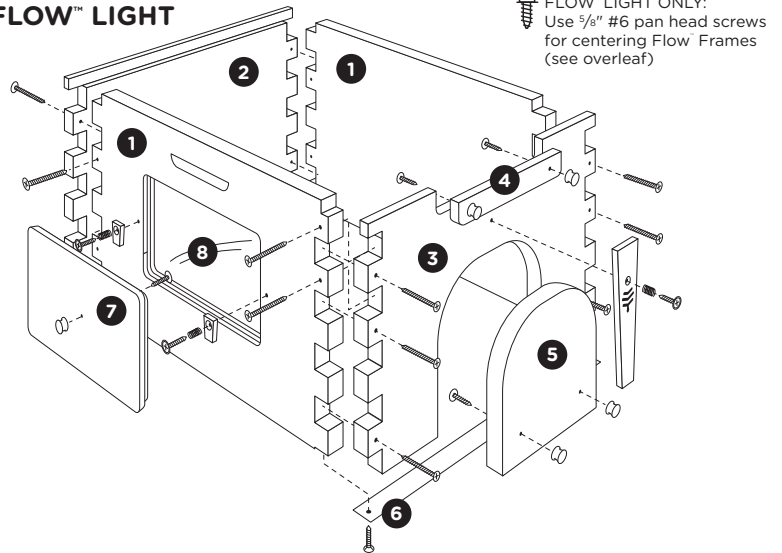
PARTS LIST FLOW™ FULL



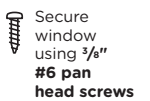
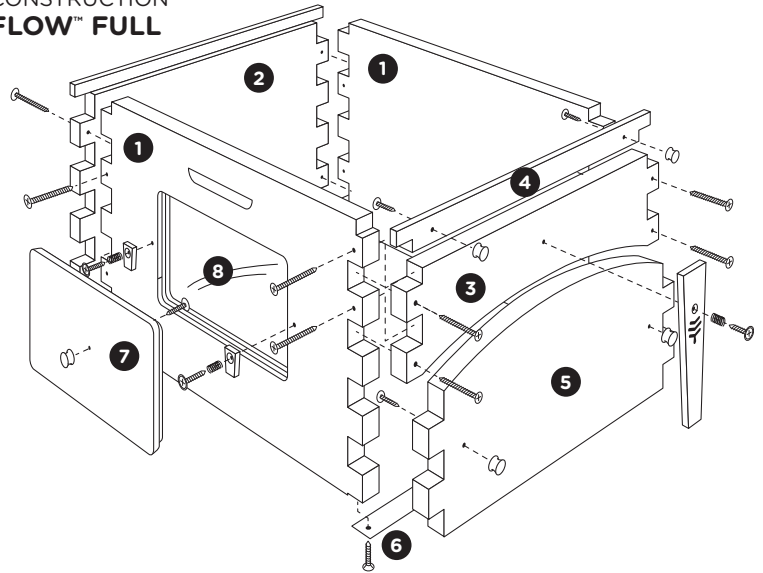
- 1 2 x Box side panels (1 with observation window)
- 2 1 x Box front panel
- 3 1 x Box rear panel
- 4 1 x Flow™ Key access cover
- 5 1 x Rear window cover
- 6 1 x Metal bottom strip
- 7 1 x Observation window cover
- 8 1 x Observation window
- 9 5 x 3/4" wooden knobs, 1 x rear window latch, 2 x observation window latches, 16 x 2" #8 bugle head screws, 3 x 1" #8 washer head screws, 3 x 3/4" springs, 5 x 1/2" #10 pan head screws, 2 x 3/4" #6 countersink head screw, 4 x 3/8" #6 pan head screws, 4 x 5/8" #8 washer head screws (Flow™ Light only), 2 x hardwood blocks and nails (Flow™ Light only)

You will also need (not supplied): a carpenter's square, four clamps, phillips head screwdriver

CONSTRUCTION FLOW™ LIGHT

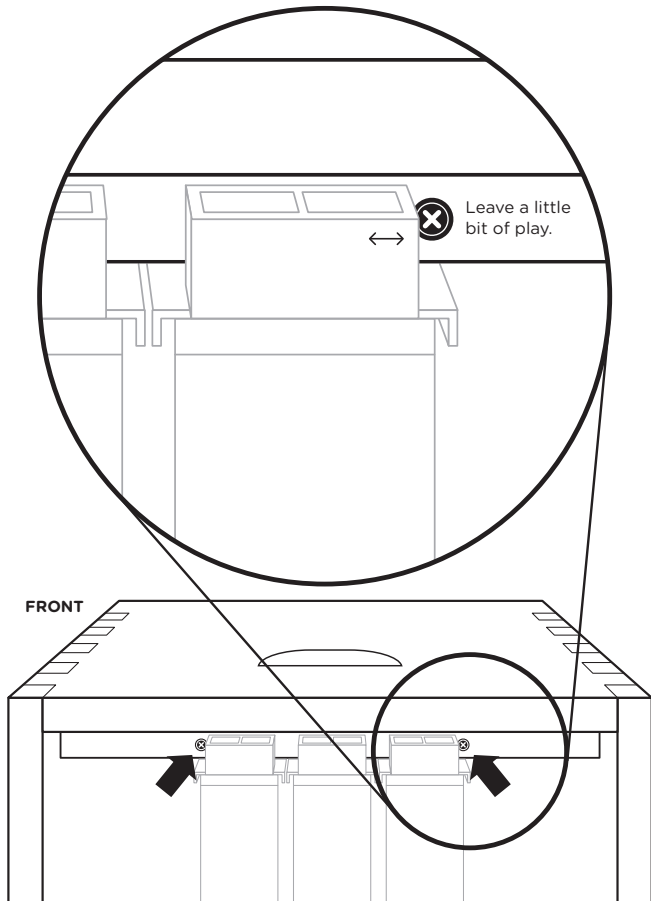


CONSTRUCTION FLOW™ FULL



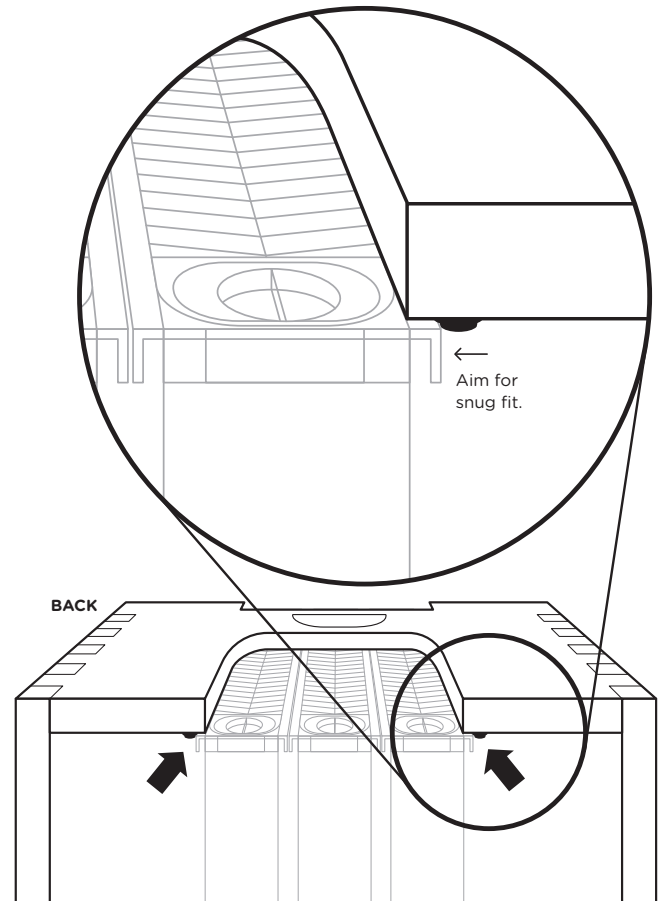
1. Lay out all the pieces of your box
2. Dry fit all the pieces together to make a box (as per the illustration above). Be sure they fit together tightly and the handles are on the outside of the box.
3. Now apply one clamp on each side of the hive box toward the top. The clamps will allow you to assemble the box together more easily by holding the pieces in place as you screw them. Without the clamps, the force you put on the screw when you drive it into the frame may cause the other unsecured joints to fall apart.
4. While securing the four clamps, check if the box is square using the carpenter's square. Adjust the clamps and box as needed to get it into alignment.
5. Start screwing the pieces together, checking that the box is square as you go along. You don't need to check after every screw but check often to keep the box aligned.
6. Add the handles to the observation window cover and Flow™ Key access cover. Insert the springs into the recesses on the latches before screwing them to the box. The springs will prevent over-tightening of the screws.
7. FLOW™ LIGHT ONLY - see overleaf for additional instructions.

FLOW™ LIGHT - POSITIONING SCREWS



LOOKING FROM TOP OF FLOW™ BOX

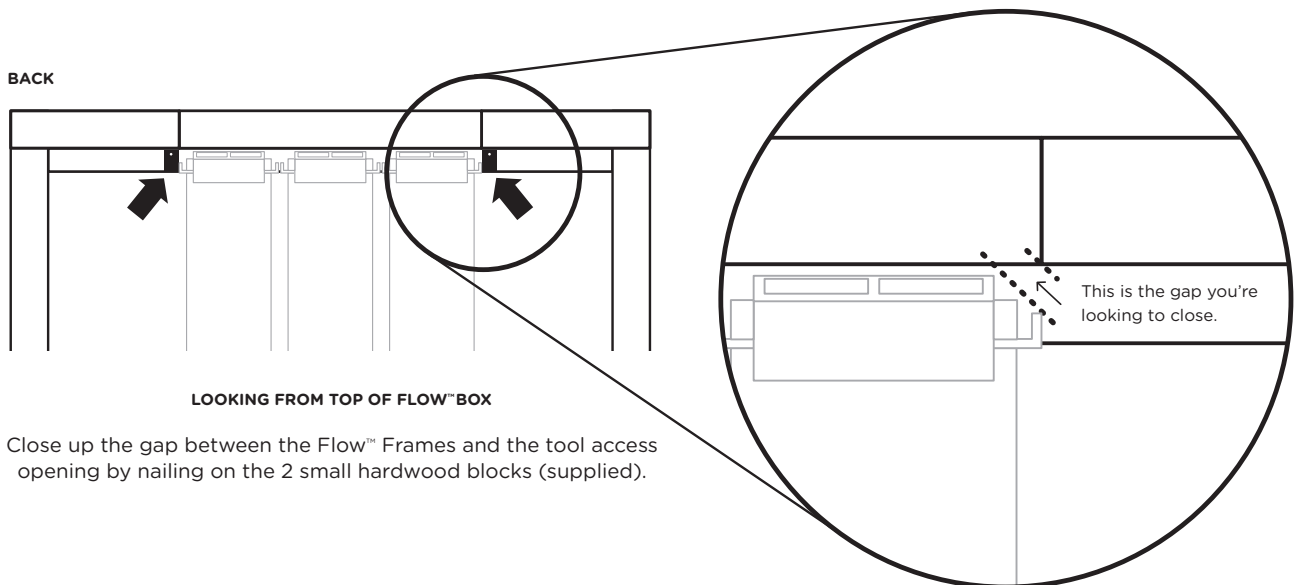
Insert screws on each side of the Flow™ Frames to hold them in place. Leave a little bit of play so the frames are easier to lever out with the hive tool.



LOOKING FROM UNDERSIDE OF FLOW™ BOX

Turn the box over and insert screws on the inside back wall of the hive body on each side of the frames to take up the play, and keep the Flow™ Frames tight together.

FLOW™ LIGHT - CLOSE TOP GAPS



Close up the gap between the Flow™ Frames and the tool access opening by nailing on the 2 small hardwood blocks (supplied).