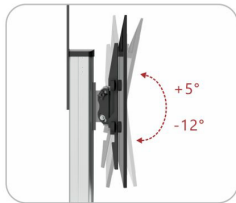


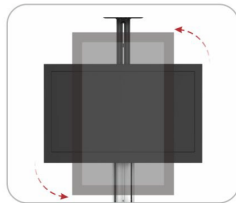
MOBILE DISPLAY STAND WITH 90 DEGREE DISPLAY ROTATION L01



Interactive Counterbalance Aluminum TV Cart



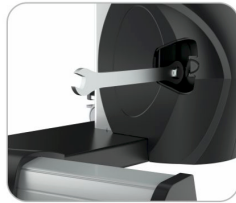
Freely Tilting Mechanism
allows easy angle adjustment and reduces glare from lights or windows to obtain the optimal viewing comfort.



Portrait-to-Landscape Rotation
promotes a customized placement to match different viewing needs anytime.



Additional Security
holds display in a desired position for enhanced safety.



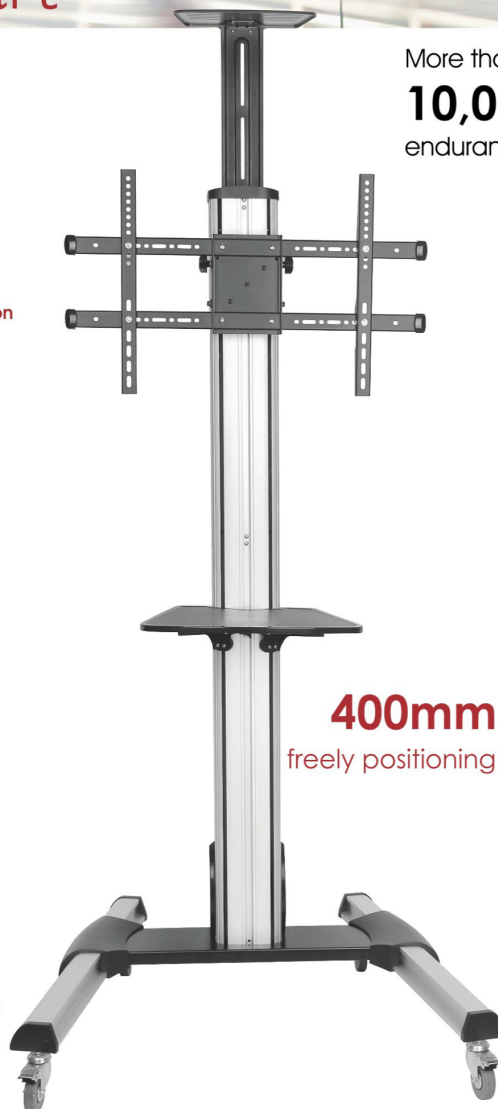
Lift Strength Adjustment
adjusts the lift strength to fit the weight of mounted load for easy movements.



Quick Assembly Shelf
assures free height adjustment and provides extra space for accessories.



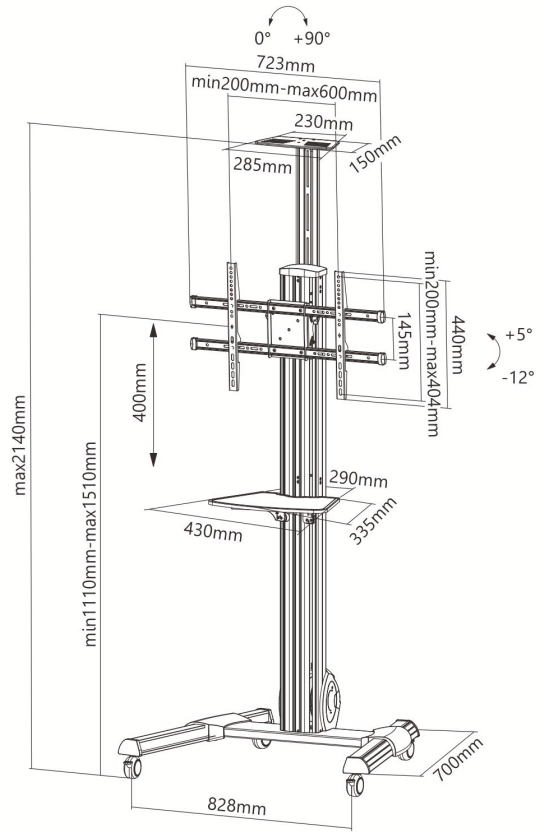
Internal Cable Management
hides wires from view to keep a clutter-free appearance.



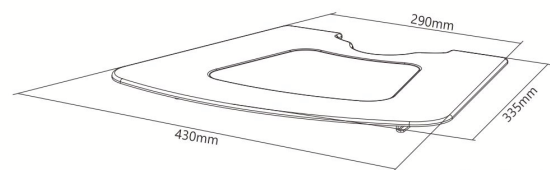
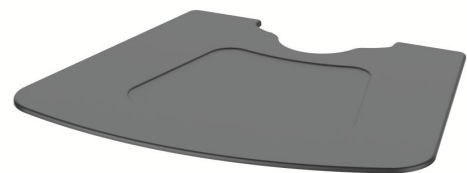
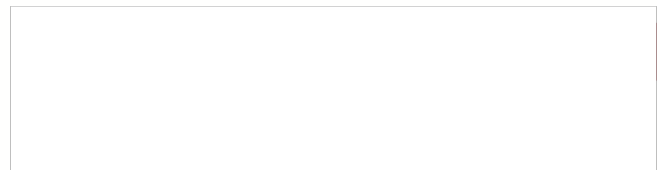
More than
10,000 times
endurance test

400mm Height Adjustment
freely positioning with a finger touch

MOBILE DISPLAY STAND WITH 90 DEGREE DISPLAY ROTATION L01
Interactive Counterbalance Aluminum TV Cart



MOST **42"-55"** MAX.VESA 600x400
 RATED **8-20kg** 18-44lbs
 +5°~-12°
 0°~-90°
VESA Compatible 200x200 400x200 300x300 400x400 600x400



RATED **5kg/11lbs**