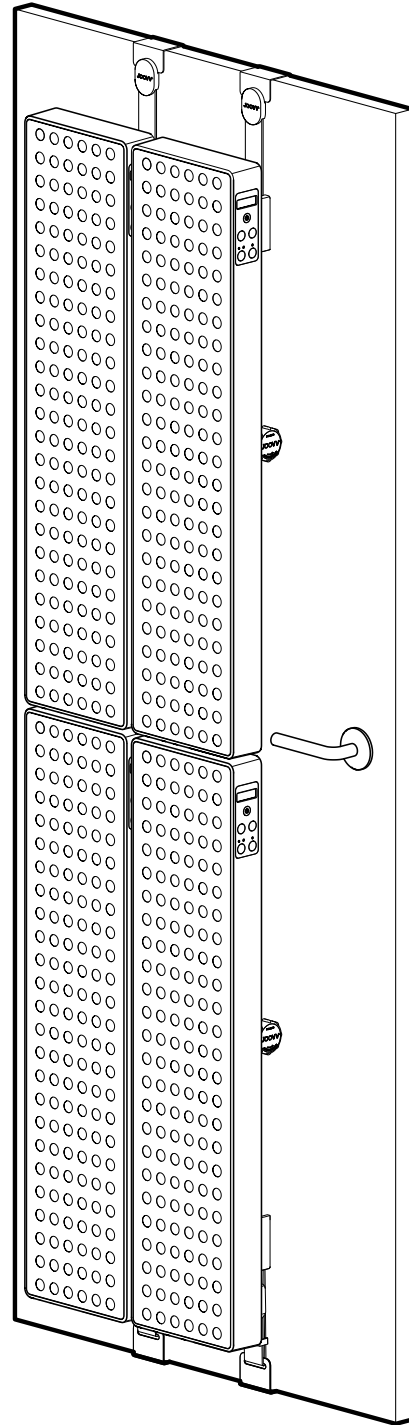


JOOVV



Spacer Kit

Gen 3.0 Quickstart Guide

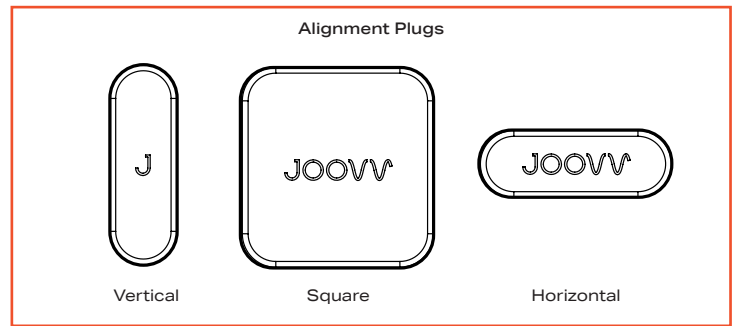
Install Spacer Kit

Spacers help keep the separate devices aligned and immobile. See illustrations for Spacer insert locations.

Instructions

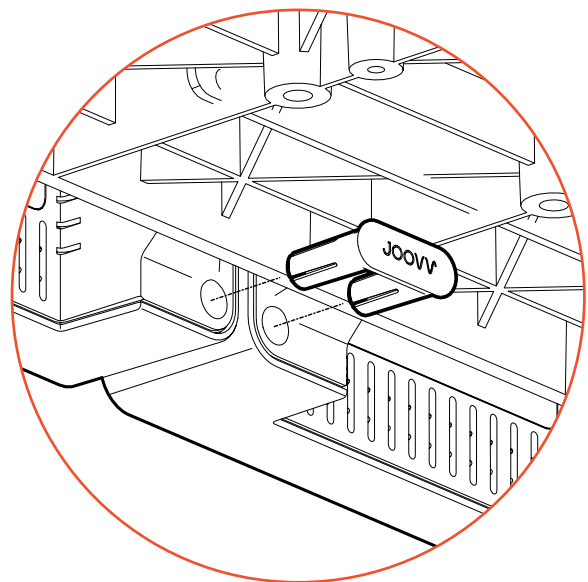
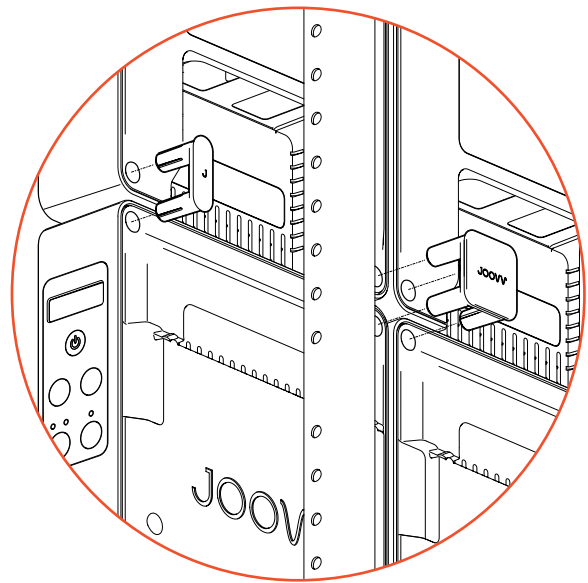
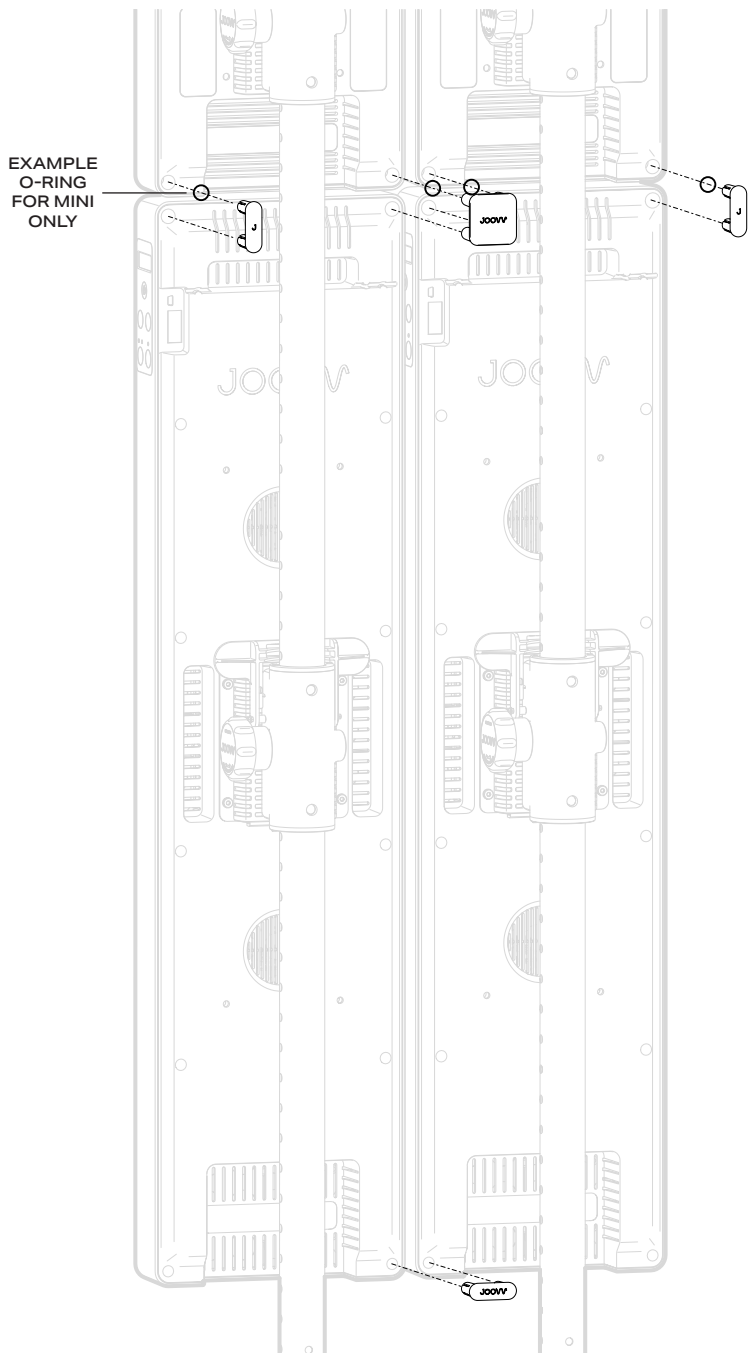
After completing your Mounting Accessory installation, locate the included Spacer Kit and insert alignment plugs as shown below for your Joovv device kit.

Note, included alignment plugs are specific to your chosen device kit, see back page for full list.



When using the Spacer Kit with the Joovv Mini, utilize the included O-Rings with your Spacer Kit before inserting.

Slide the O-Ring onto the alignment plug



Spacer Kit Included Alignment Plugs

Half Max Kit 3.0

Duo Kit 3.0

- Vertical (2)
- O-Rings (3)

Max Kit 3.0

Quad Kit 3.0

- Vertical (2)
- Square (1)
- Horizontal (2)
- O-Rings (7)

Elite Kit 3.0

- Vertical (2)
- Square (2)
- Horizontal (4)

Revision History		
Date	Revision #	Description of Changes
January 2021	JV-MKT-DOC-3744 (Ver.0)	Ver.0 Release to market
October 2022	JV-MKT-DOC-3744 (Ver.1)	Updated contact information

Warranty

All Joovv mounting accessories are covered by a 2-year limited warranty. Please visit our website at <https://joovv.com/pages/joovv-limited-warranty> for details of the limited warranty. To register your product, visit <https://joovv.com/pages/joovv-limited-warranty> for instructions. Failure to register will not affect your limited warranty rights.

Return Policy

All mounting accessories come with a 14-day return period (60-day return period when purchased as part of a device kit). If you're not satisfied with your purchase within the first 14 days, please visit our website at <https://joovv.com/pages/returns> for additional details.

Contact Information



Joovv, Inc.

3579 US-50, Suite 307

Carson City, NV 89701

USA

Email us: help@joovv.com

Website: www.joovv.com

Online Setup instructions: www.joovv.com/setup

JOOVV
joovv.com