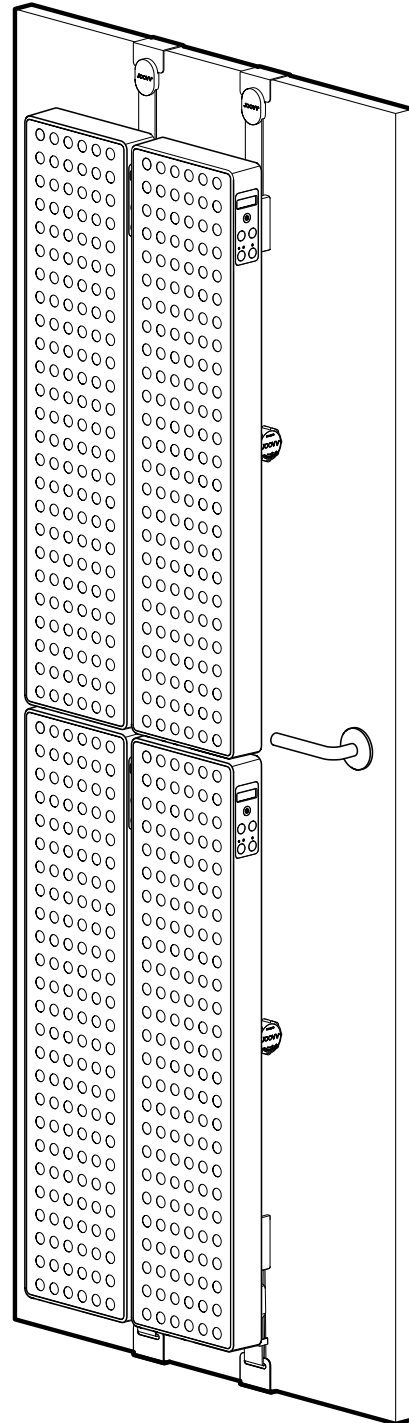


JOOVV



Oversized Door Kit

Gen 3.0 Quickstart Guide

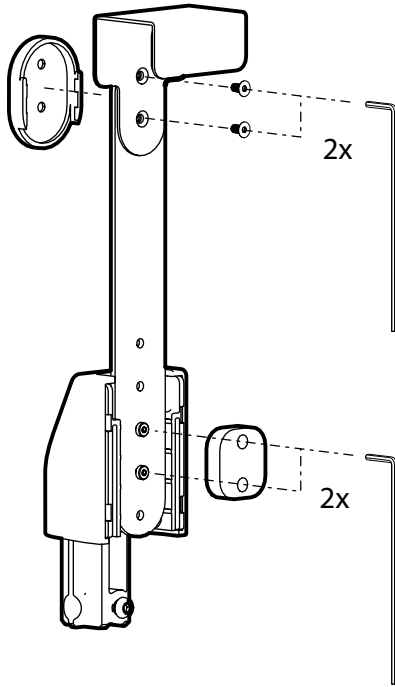
Getting Started

For doors that are taller than 84" up to 96" and thicker than 1- 3/8" up to 1 3/4" Joovv offers an Oversize Door Kit that can be purchased at Joovv.com.

To install the Oversized Door Kit, follow steps 1-3. *Note, if door is of standard height (80"), step 2 can be skipped.*

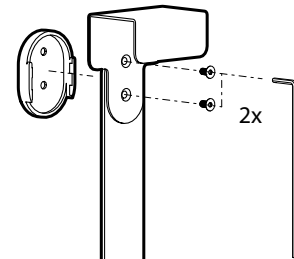
Step 1

Remove top Door Hook from Bracket Arm and replace with Oversized Door Hook.



Step 2 (OPTIONAL)

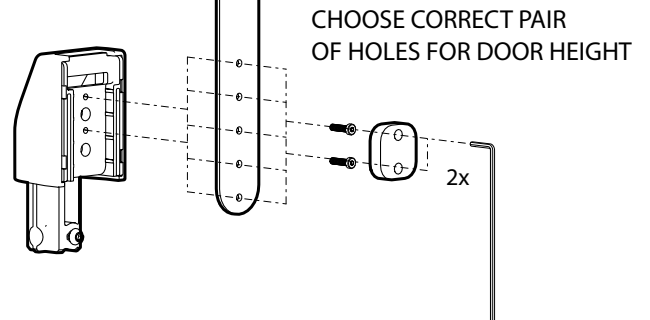
For doors that are taller than 84" up to 96", remove and replace the Bracket Arm with Oversized Arm.



Step 3

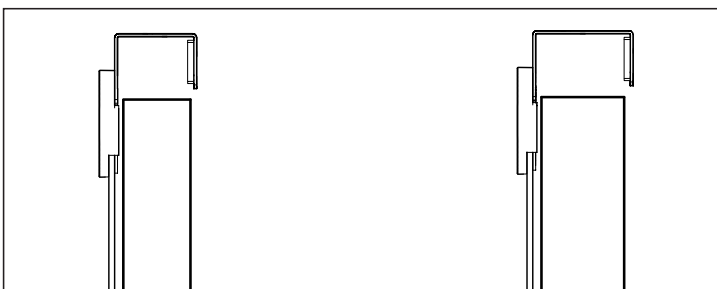
For the bottom Door Hook, remove the strap from the buckle, and install the Oversized Door Hook.

Once complete, refer to your Door Mount Assembly Guide for further instructions on completing your accessory assembly.



Standard
Door Hook
1 7/16"

Oversized
Door Hook
1 3/4"



Revision History		
Date	Revision #	Description of Changes
January 2021	JV-MKT-DOC-3743 (Ver.0)	Ver.0 Release to market
October 2022	JV-MKT-DOC-3743 (Ver.1)	Updated contact information

Warranty

All Joovv mounting accessories are covered by a 2-year limited warranty. Please visit our website at <https://joovv.com/pages/joovv-limited-warranty> for details of the limited warranty. To register your product, visit <https://joovv.com/pages/joovv-limited-warranty> for instructions. Failure to register will not affect your limited warranty rights.

Return Policy

All mounting accessories come with a 14-day return period (60-day return period when purchased as part of a device kit). If you're not satisfied with your purchase within the first 14 days, please visit our website at <https://joovv.com/pages/returns> for additional details.

Contact Information

 Joovv, Inc.
 3579 US-50, Suite 307
 Carson City, NV 89701
 USA
 Email us: help@joovv.com
 Website: www.joovv.com
 Online Setup instructions: www.joovv.com/setup

JOOVV
joovv.com