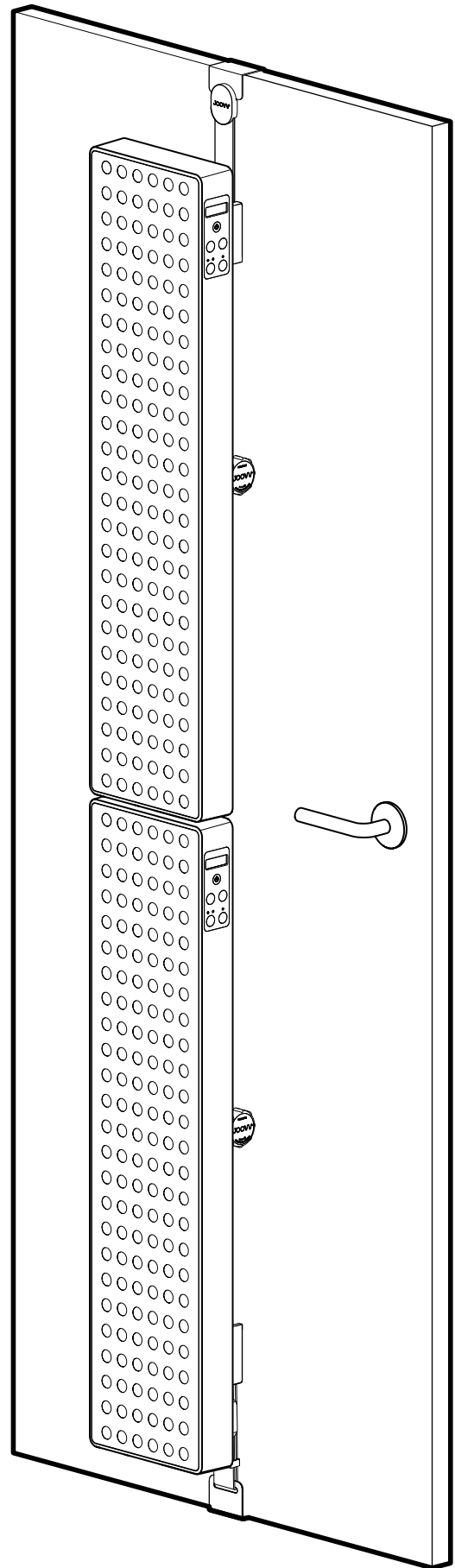


JOOVV

Door Mount System

Assembly Guide



Warnings and Safety

Please review the following safety information prior to assembling your Joovv Door Mount System. Attempting to assemble and use this equipment without fully understanding its features and functions may result in unsafe operating conditions. Some Warnings and Cautions are also inserted within the manual where they are most meaningful. Notes are also located throughout the manual to provide additional information related to specific features. If you have a question regarding the installation, set up, operation, or maintenance, please contact Joovv Inc. at help@joovv.com.

WARNINGS identify conditions or practices that could result in serious adverse reactions or potential safety hazards.

CAUTIONS identify conditions or practices that could result in damage to the device or other equipment.

Warnings

- No modification of this system is allowed.
- System is only meant to support applicable Joovv products.

Cautions

- Read user manual prior to use and keep for future reference.
- Choking Hazard, small parts. Keep away from small Children.
- For interior use only, storage or installation of the system in direct sunlight may cause the system to yellow or break down over time. Normal storage or installation in window-lit rooms is acceptable.
- Do not leave the system in any place that could be damaged by children, pets, pests, or liquids. If you suspect your system of devices is damaged, contact customer service at Help@Joovv.com.
- Do not install system near heated surfaces such as nearby fireplaces or ceramic heaters.
- Do not install or store system in humid or wet locations such as a sauna or wet sauna.
- Remove the device before adjusting height of Slider Pole Mount.
- When loosening the adjustment knob, do not exceed more than 1.5 turns counterclockwise to loosen. Additional turns can cause the Slider Pole Mount to fall.
- Do not install more than 2 systems on a single door frame.
- Make sure top and bottom door hooks are securely attached prior to mounting devices.
- Do not use power tools to assembly parts in this kit.

Safety Standards

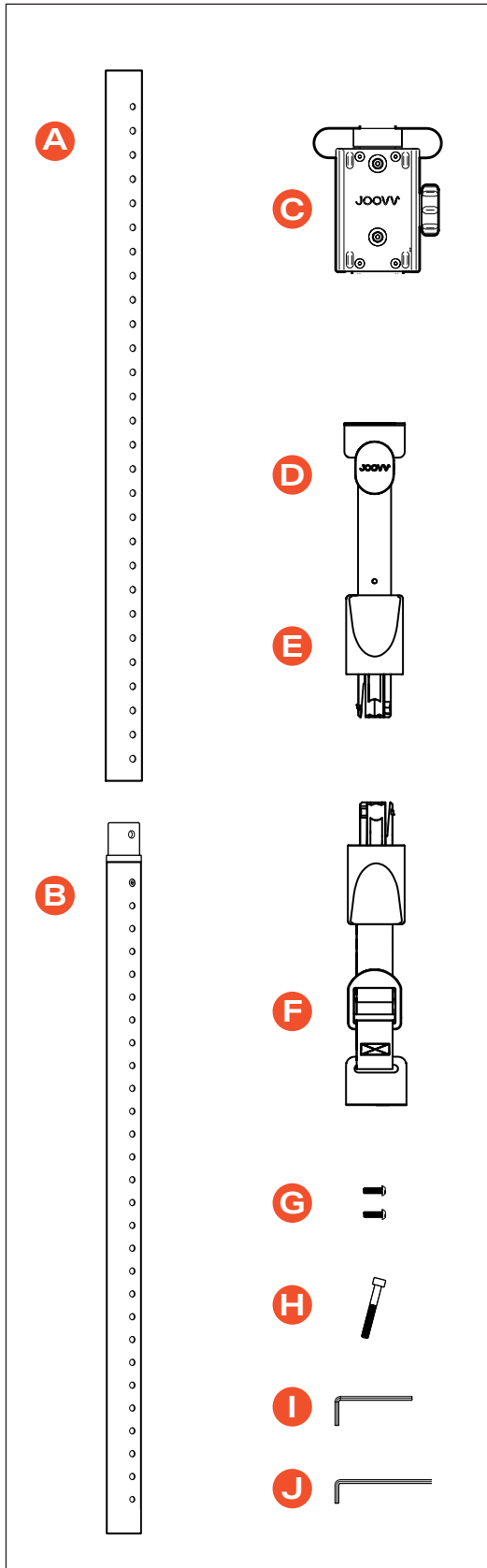
Conforms To: IEC 62471, 60601-2-57, 60601-1-11, 60601-1-6 & AAMI STD ES60601-1

Certified To: CSA STD C22.2 #60601-1

Table of Contents

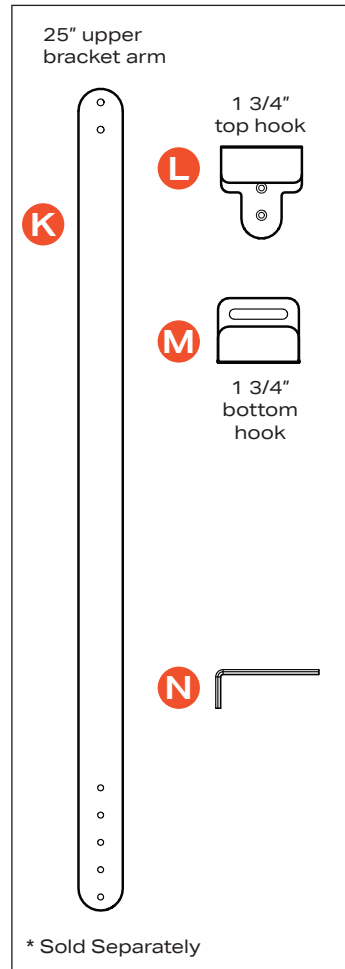
| | |
|----------------------------------------|----|
| Notices..... | 2 |
| Parts List | 4 |
| Door Configurations | 5 |
| 1 Pole Setup | 8 |
| 2 Pole Setup | 15 |
| Setting Slider Mount | 16 |
| Oversize Door Kit Assembly..... | 17 |
| Adding Spacers to Mounted Devices..... | 18 |
| Revision History..... | 19 |
| Warranty..... | 19 |
| Return Policy..... | 19 |
| Contact Information..... | 19 |

1 Pole Kit

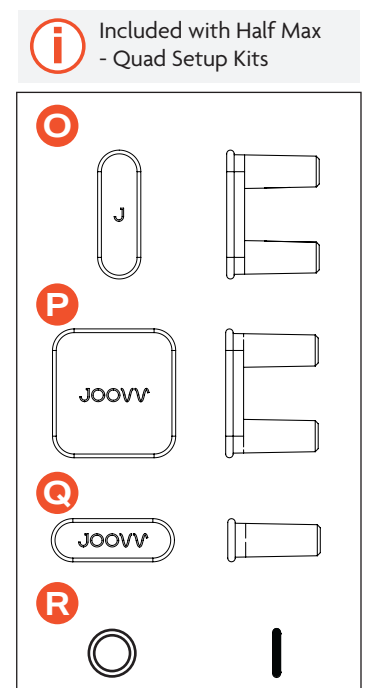


- A** Upper Pole Section
- B** Lower Pole Section + Coupler
- C** Slider Mount
- D** Top Assembly
- E** Bottom Assembly
- F** Cover Cap x2
- G** M6 Screw
- H** M4 Pole Screw
- I** 4mm Allen Key
- J** M3 Allen Key
- K** 25" Upper Bracket Arm
- L** 1 3/4" Top Hook
- M** 1 3/4" Bottom Hook
- N** 2.5mm Allen Key
- O** Vertical Alignment Plug
- P** 4 Plug
- Q** Horizontal Alignment Plug
- R** O-Ring for Mini

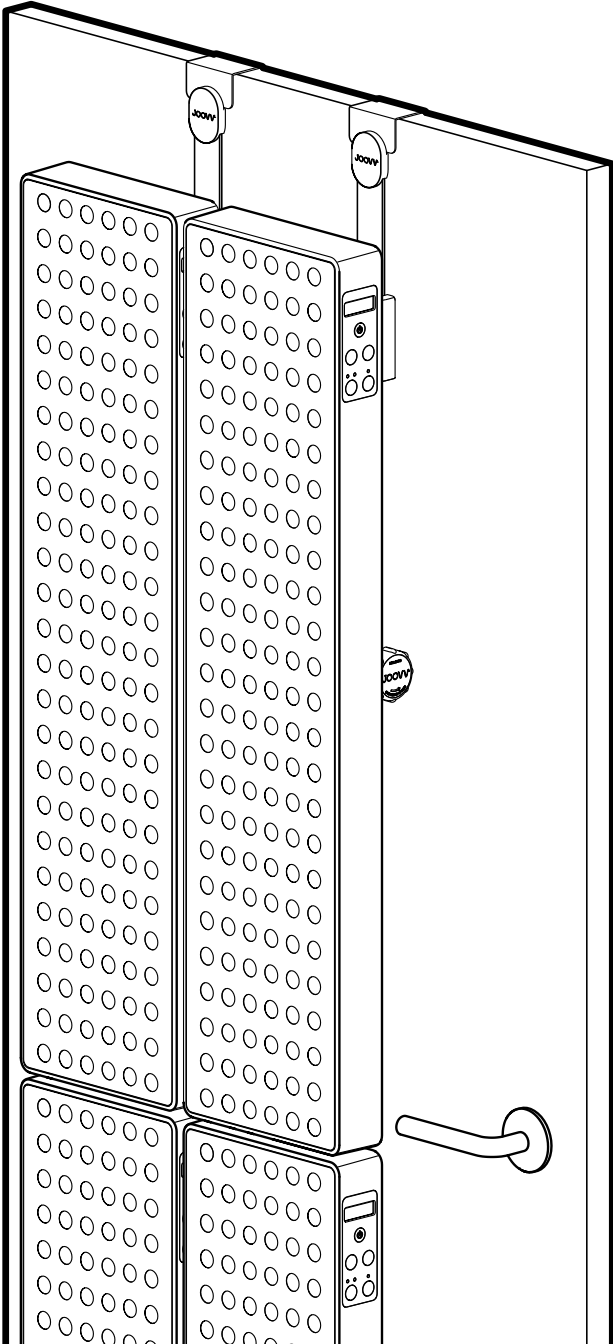
Oversized Door Kit*



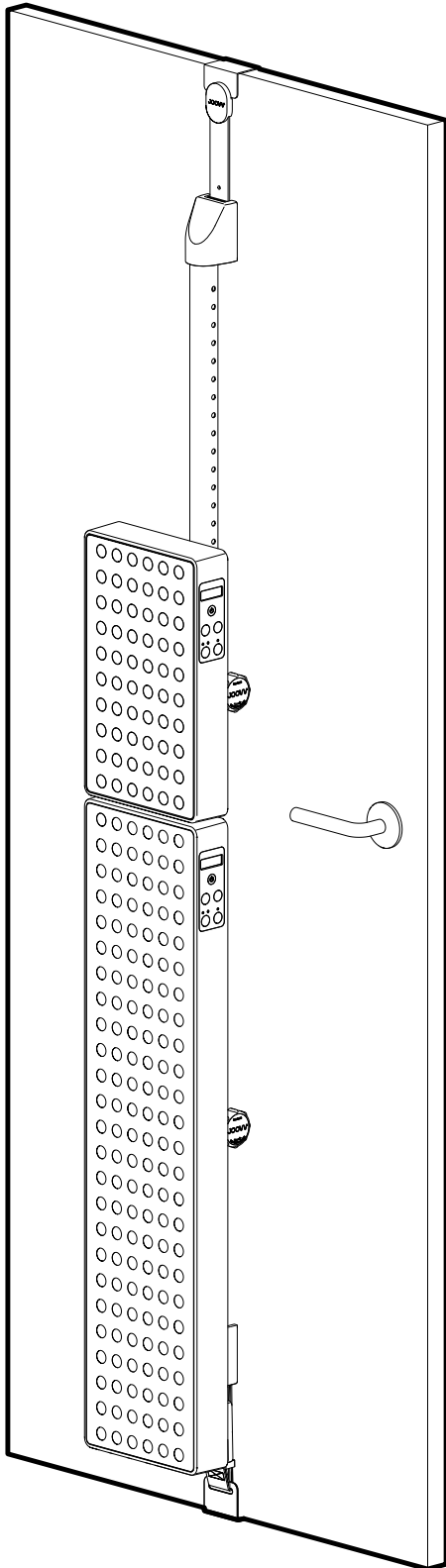
Spacer Kit



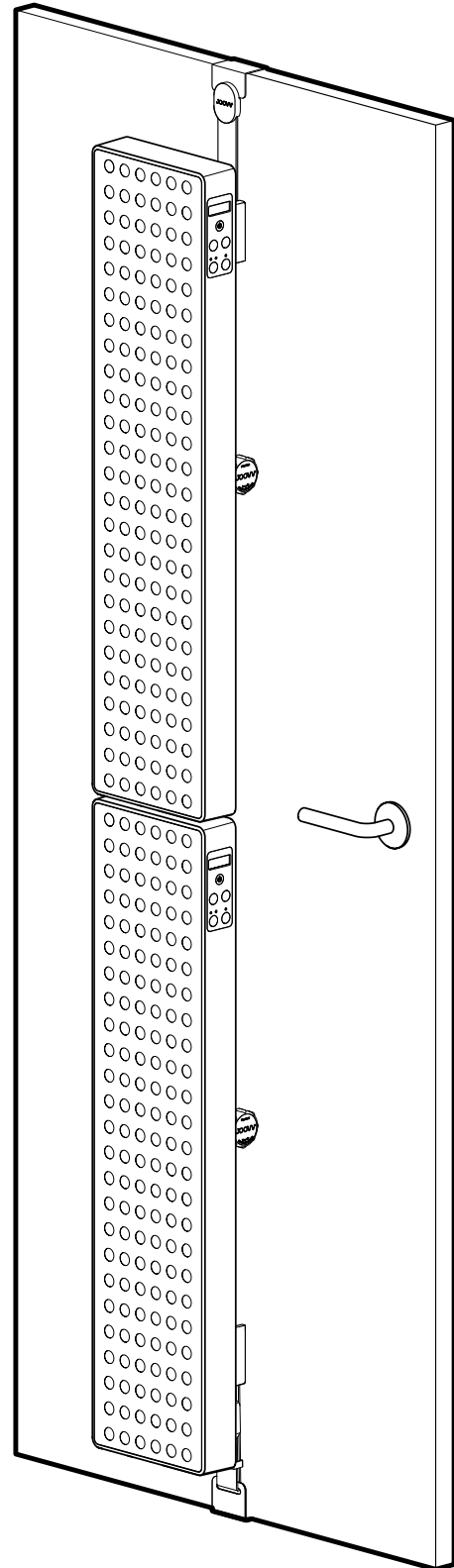
Door Configurations



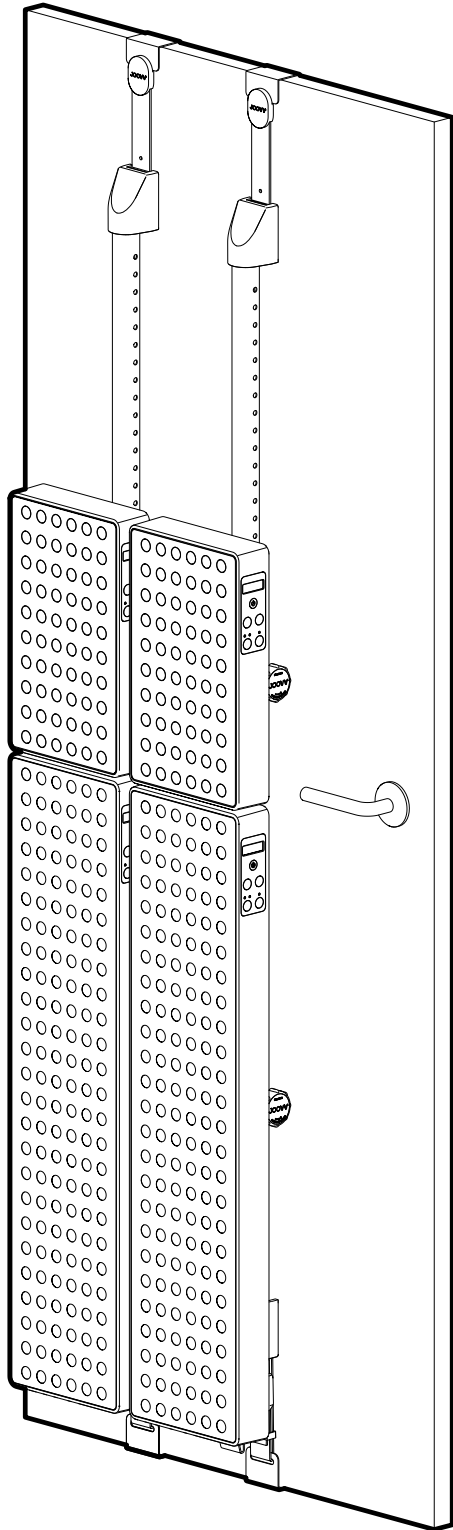
Half Max configuration



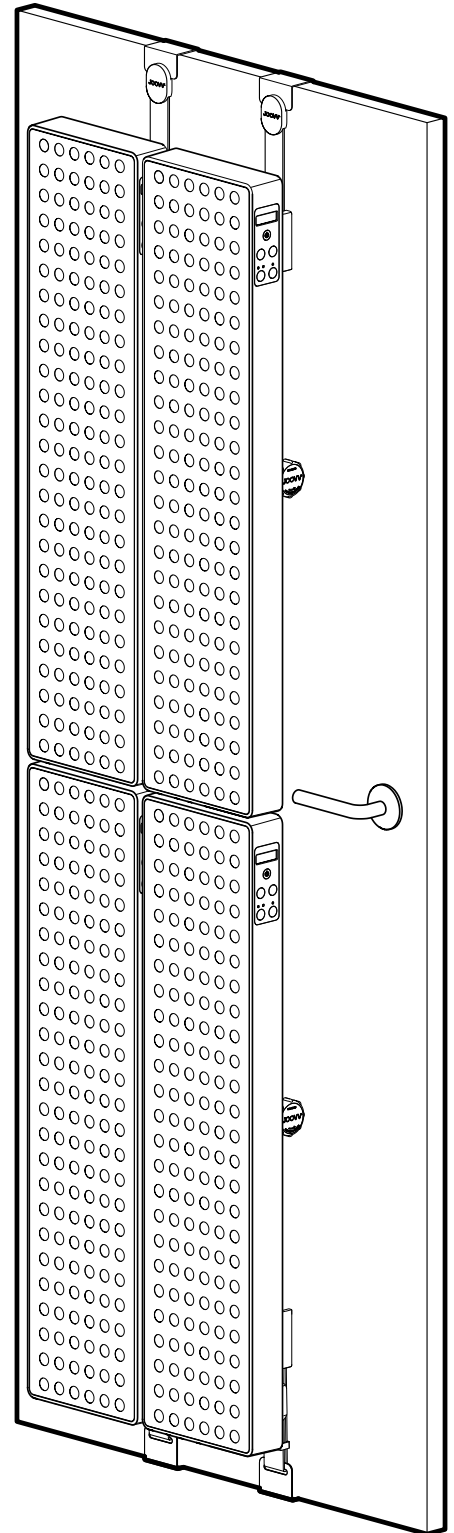
Duo configuration



Max configuration



Quad configuration



1 Pole Setup

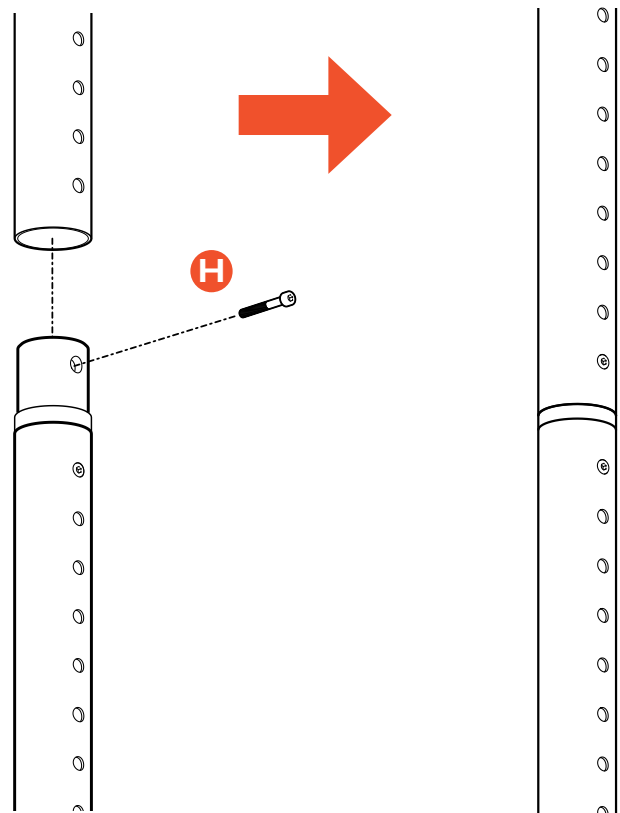
Step 1 - Connect Pole Upright

Connect the Top and Bottom sections of the Pole Upright by inserting the Top section into the coupler portion of the Bottom section and securely fastening using the M4 screw (H) as shown.

IMPORTANT PLEASE READ

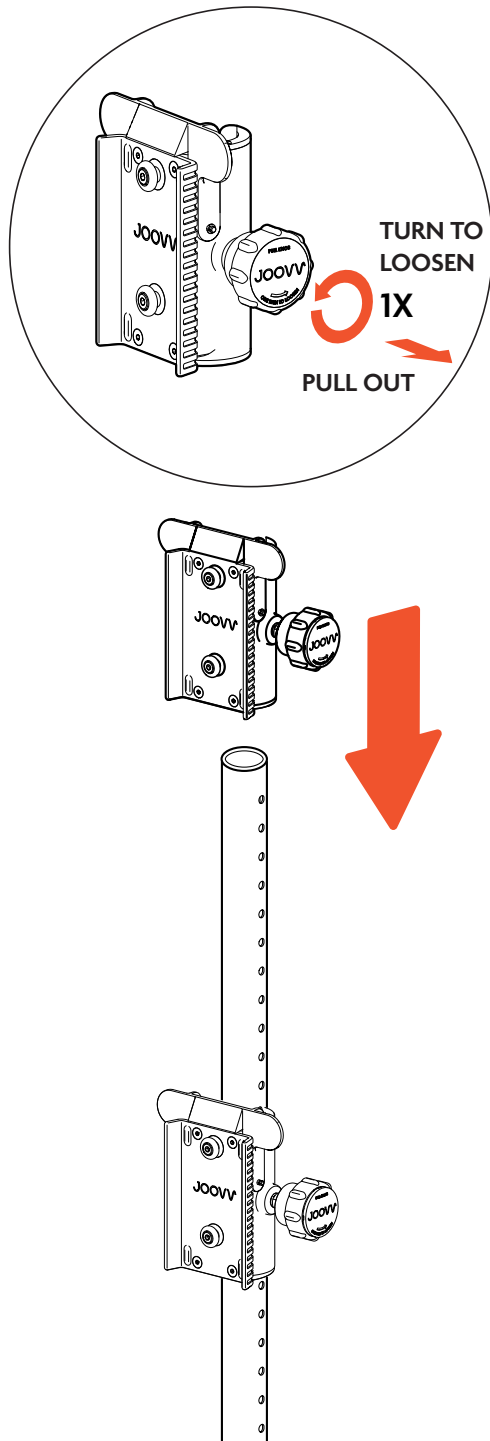
When initially installing the Slider Mount keep the M4 screws (H) semi tight to allow the Pole Uprights to flex slightly. After positioning the Slider Mount to the dedicated height, the M4 screws can be fully tightened.

Note, over tightening the M4 screw (H) can make it difficult for the Slider Mount to pass through the coupler section of the Pole Upright.



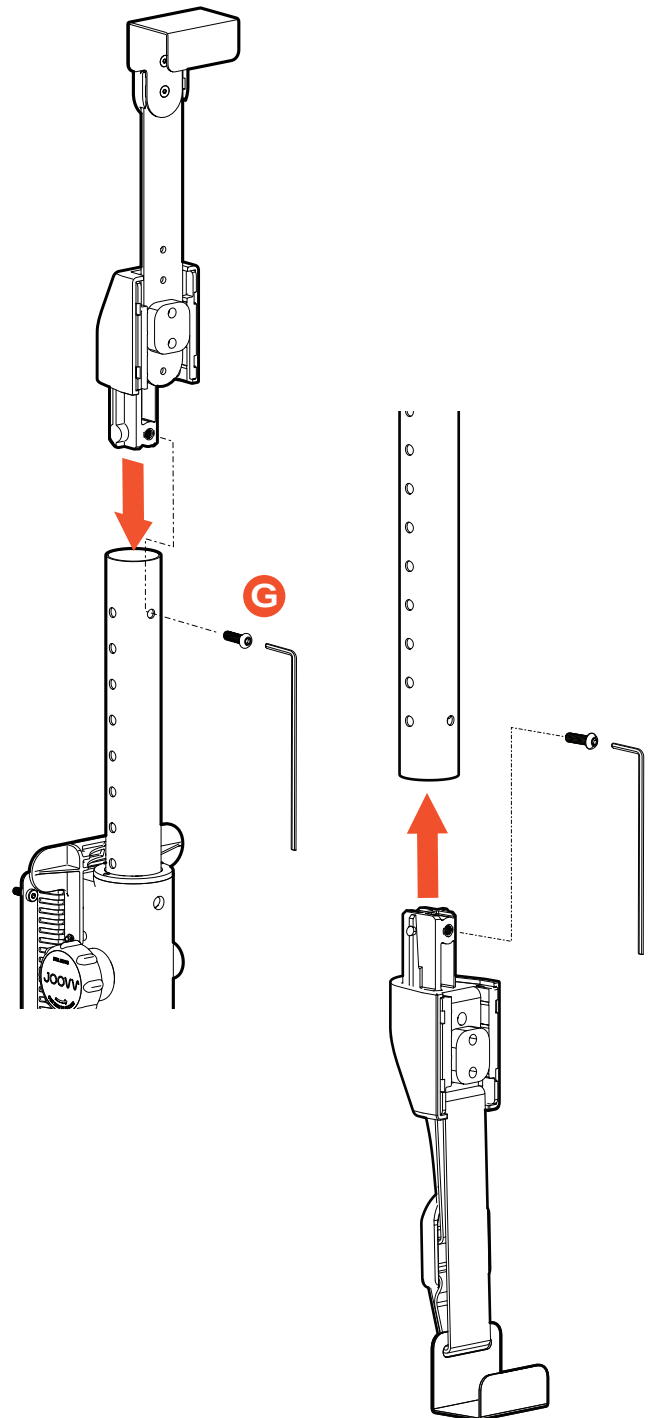
Step 2

Install the Slider Mount(s) attachment to Pole Upright. Turn knob counterclockwise ~1 turn and pullout to slide on the pole.



Step 3

Connect top and bottom assembly to Pole Upright using M6 Screw with Allen Key.

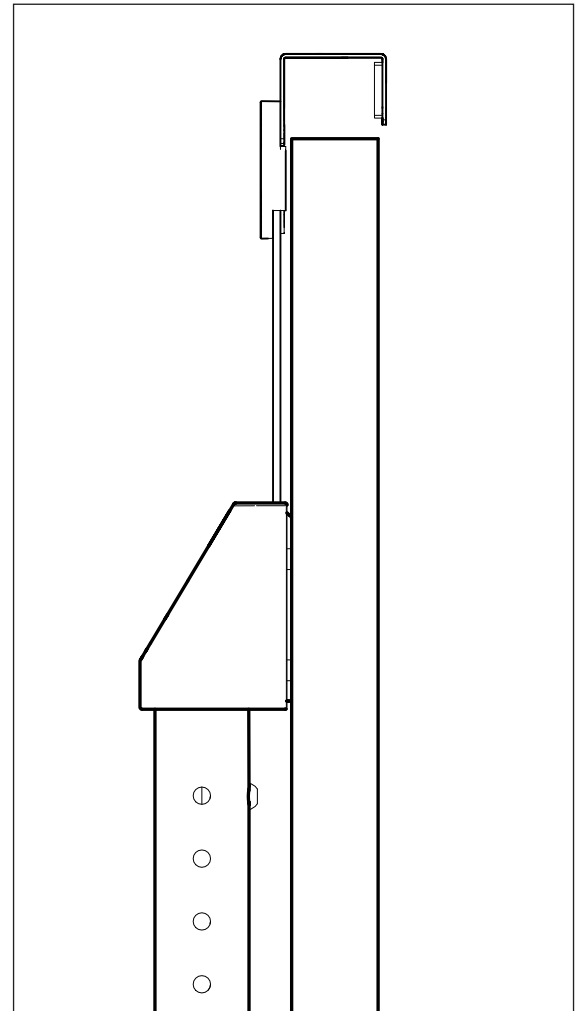
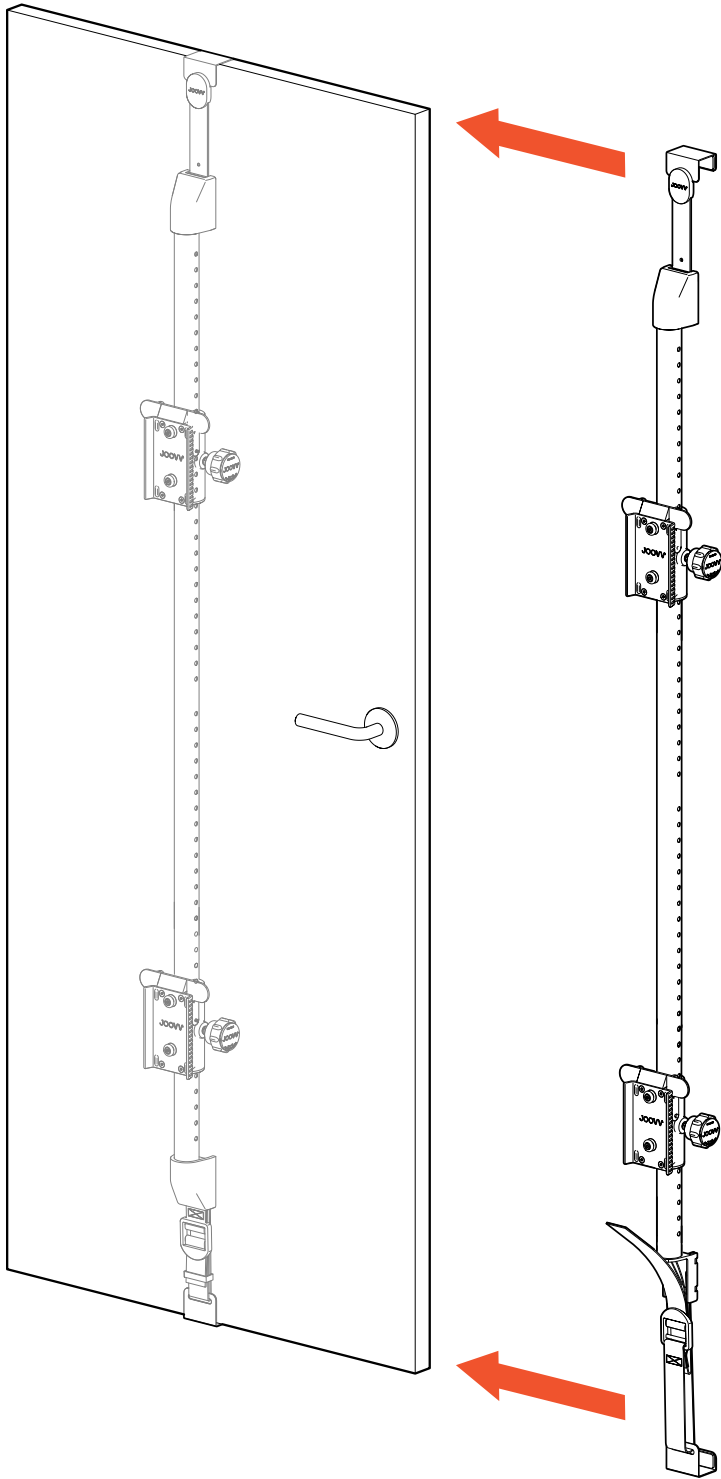


WARNING!

Do not use power tools to assembly parts in this kit.

Step 4

Install Door system on door as shown in the illustration below.

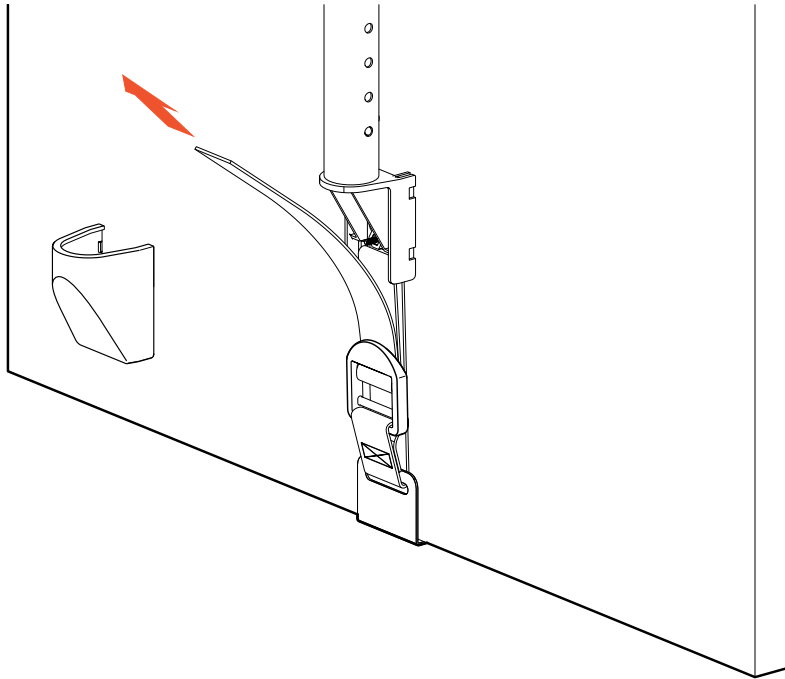


Door side view

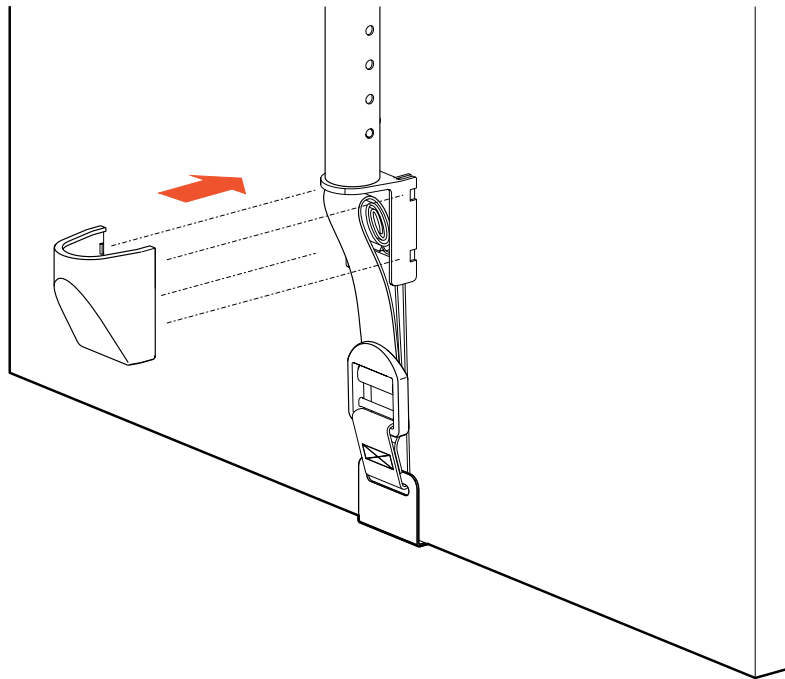
Step 5

To secure the Bottom Assembly hook to the door, pull the strap through the buckle to tighten. Once pulled tight, roll up the excess strap and hide using the Cover Cap.

1



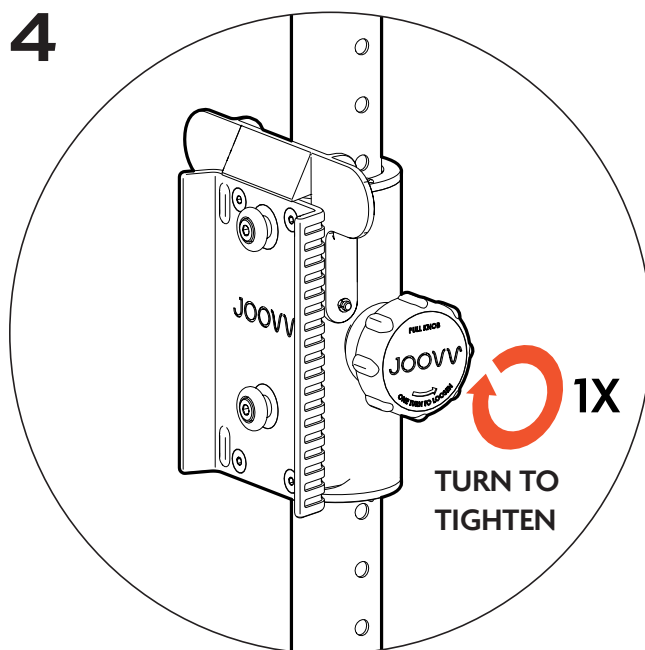
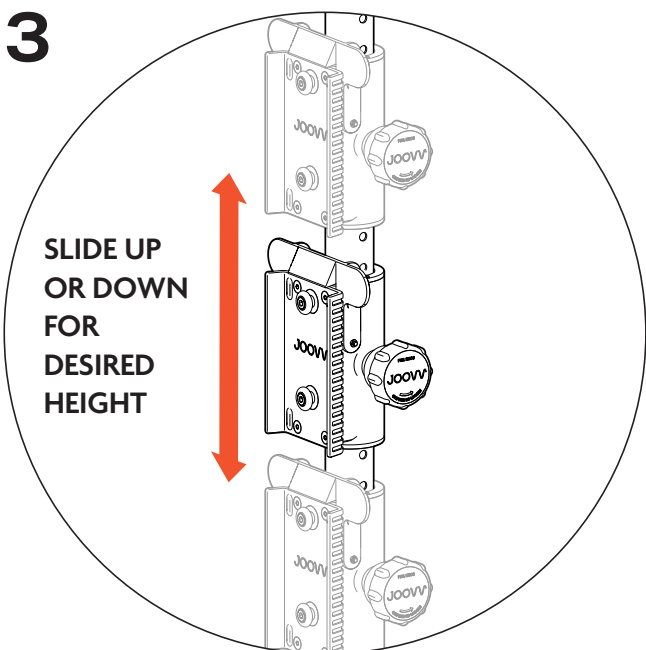
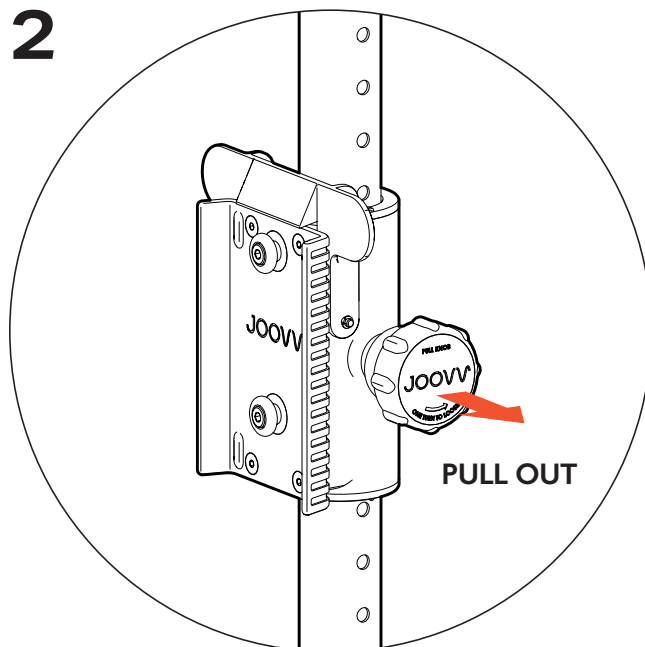
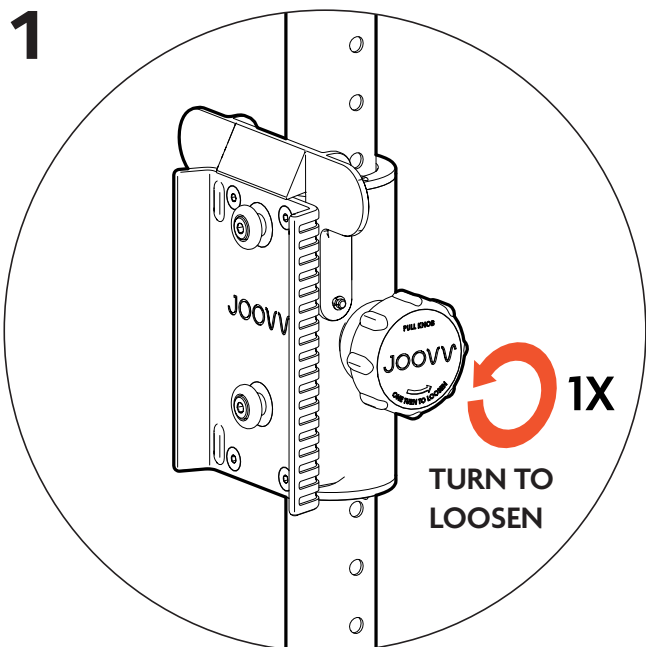
2



For easier access keep strap loose until device, AC power cable(s) and spacers are installed.

Step 6

To adjust the Slider Mount, turn the knob counterclockwise ~1 turn and pull out. Slide the mount up or down based on your desired height. To secure the Slider Mount tighten the knob by turning it clockwise until hand tight.

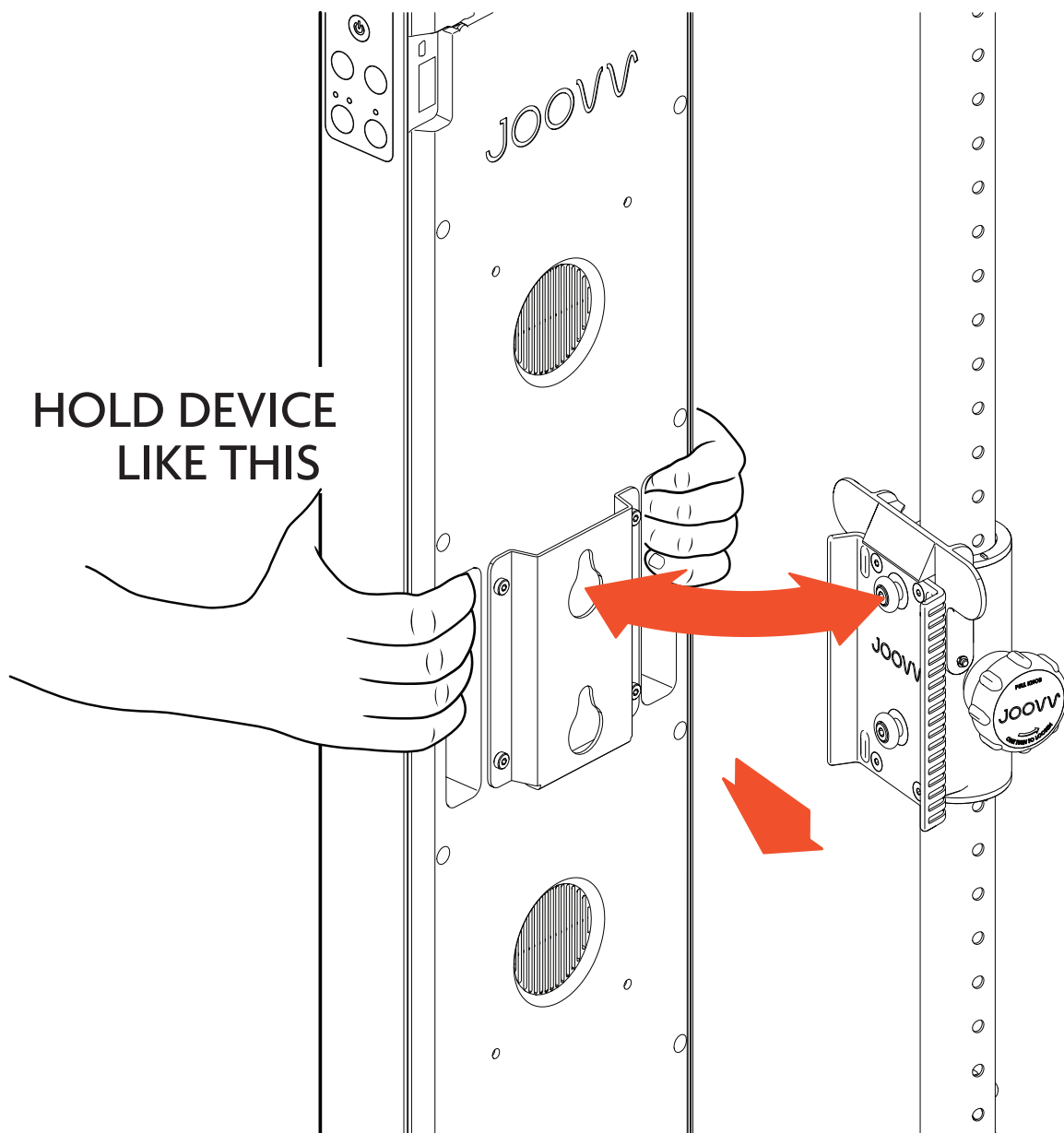


WARNING!

When loosening the adjustment knob, do not exceed more than 1.5 turns counterclockwise to loosen. Additional turns can cause the Slider Pole Mount to fall.

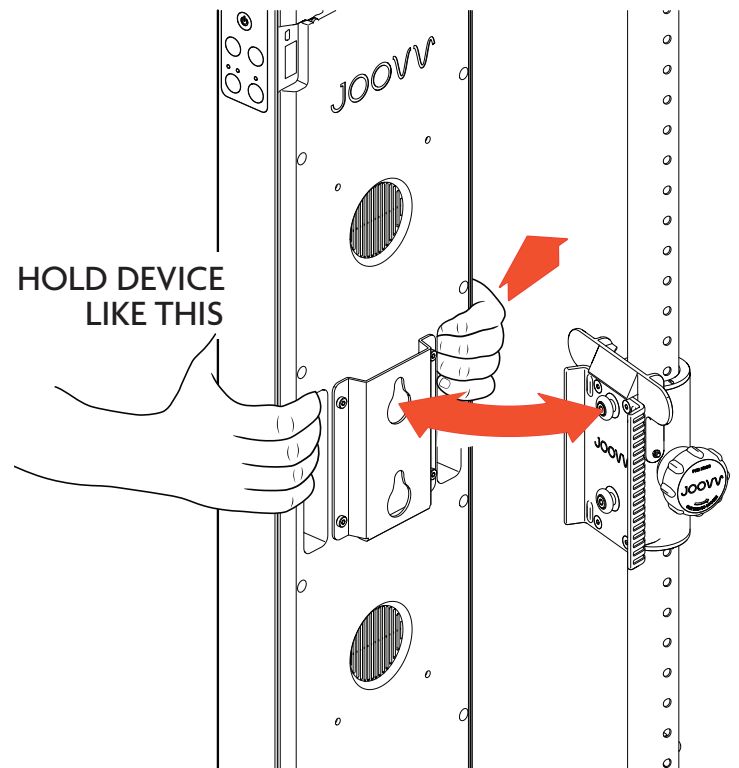
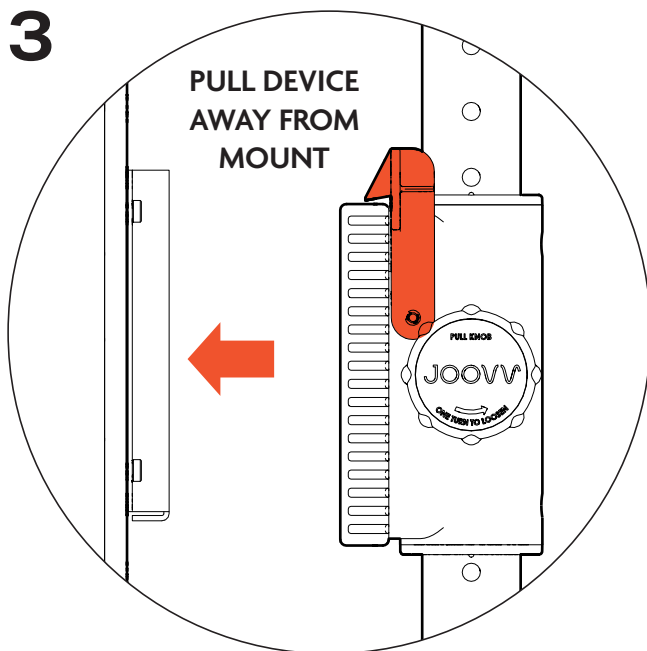
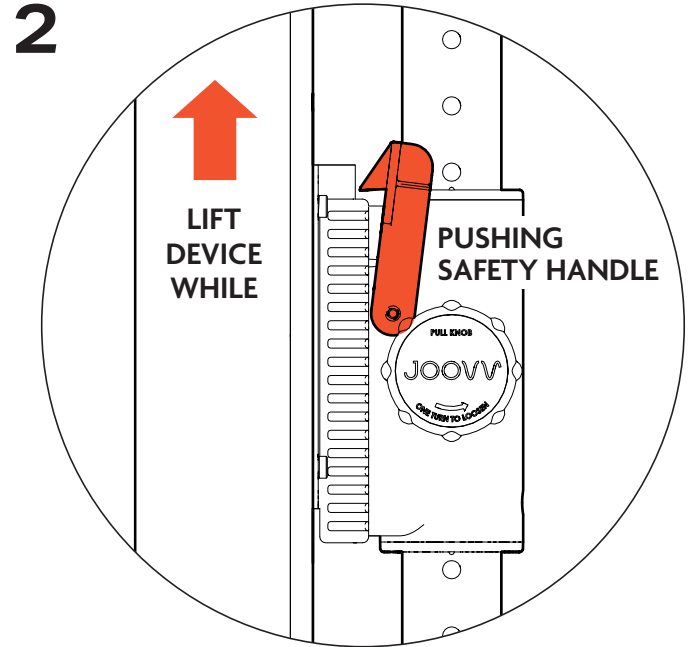
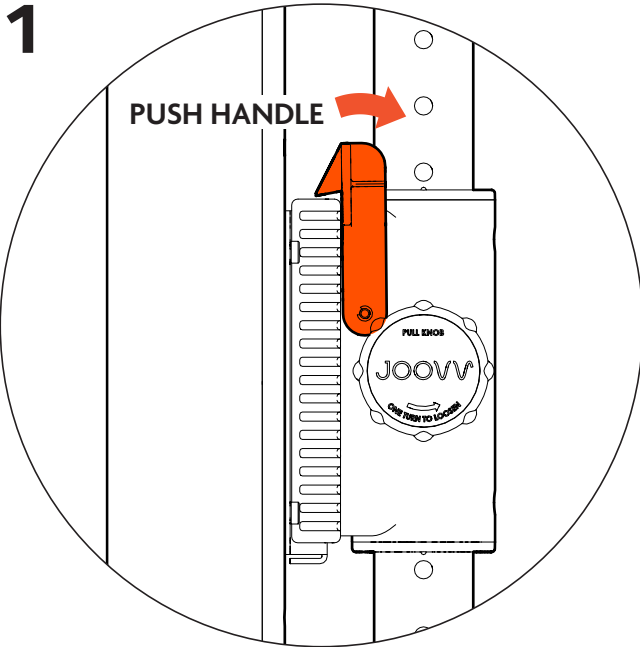
Step 7

While holding the device as shown below, align the device over the Slider Mount keyholes and slide the device down onto the Slider Mount to secure.



Step 8

To remove the Solo or Mini Device from the Slider Mount, follow the steps illustrated below.



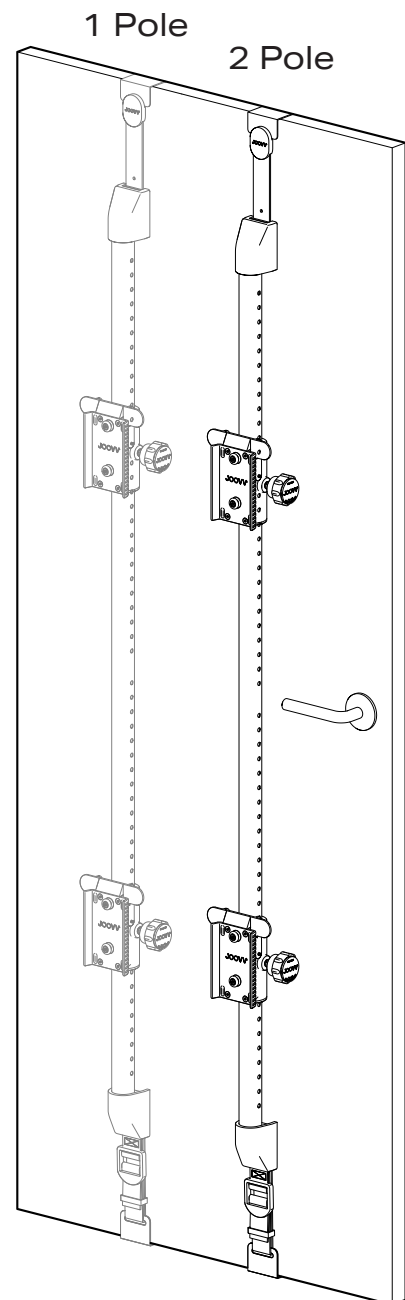
2 Pole Setup

To configure a 2 Pole Setup, repeat steps found on page [8] for the 1 Pole Setup.

After completing your setup and installing your devices, refer to page [18] for installing the alignment plugs.

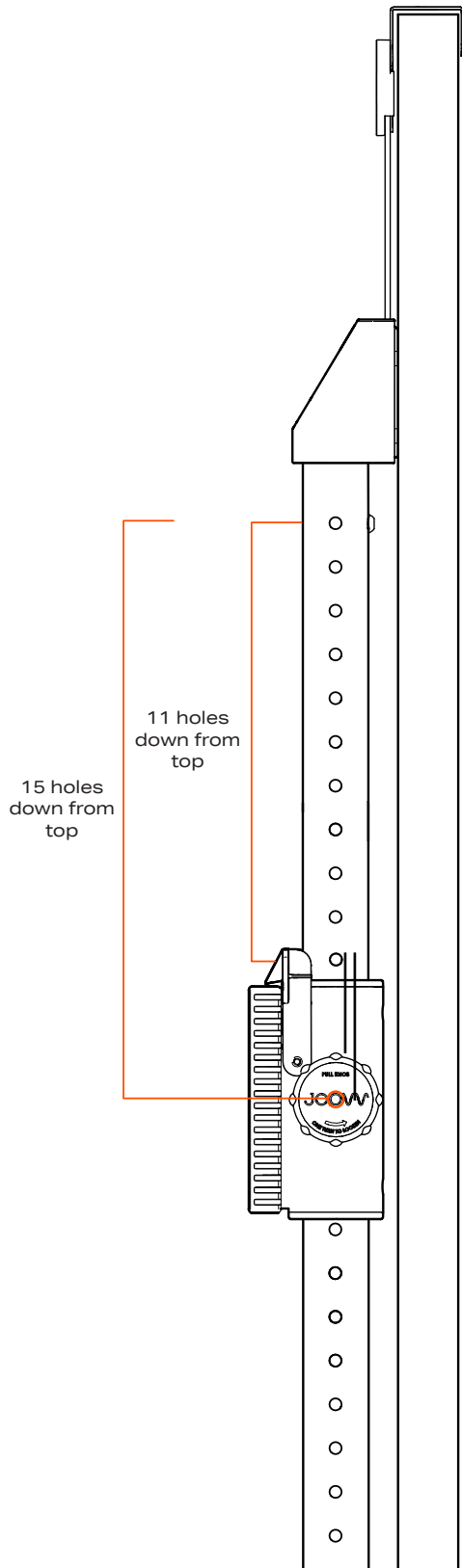


Reference the Mini & Solo User Manual for wire diagram and cable installation.



Setting Slider Mount on Pole for Specific Configurations

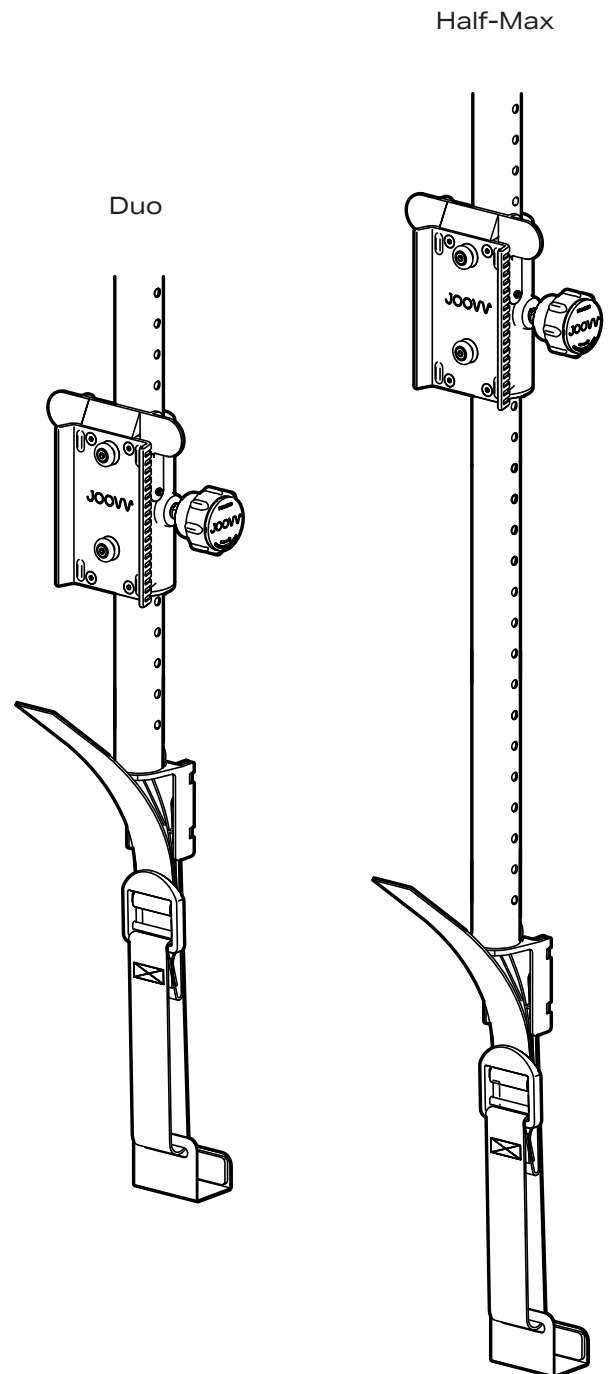
For the Duo and Half Max configuration set the top Slider Mount so 11 holes are showing from the top of the Pole Upright.



For the Duo configuration set the bottom Slider Mount so 5 holes are showing from the bottom of the Pole Upright.

For the Half Max set the bottom Slider Mount at 17 holes from the bottom.

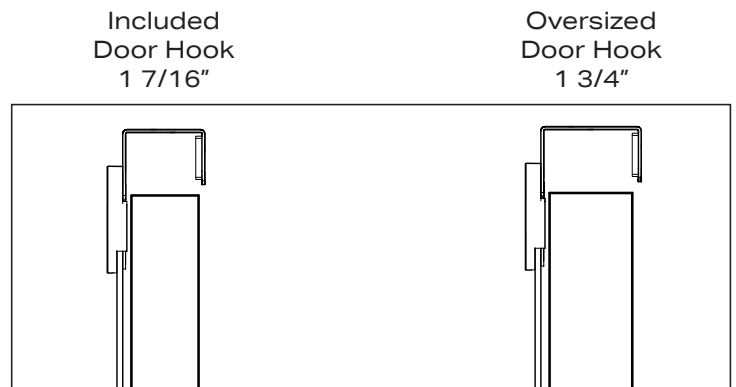
Note: the Solo will be the bottom device.



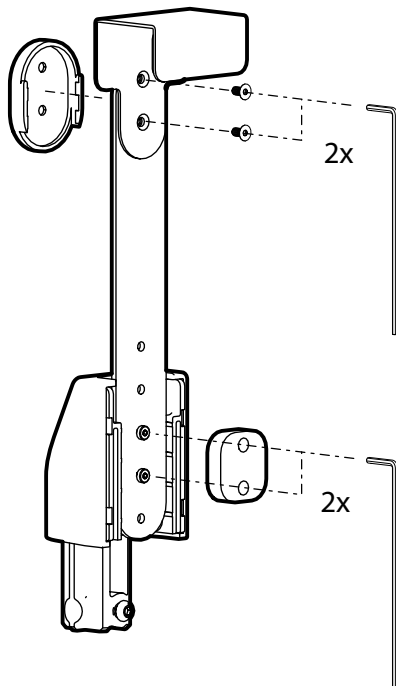
Oversize Door Options & Installation

For doors that are taller than 84" up to 96" and thicker than 1- 3/8" up to 1 3/4" Joovv offers an Oversize Door Kit that can be purchased at Joovv.com.

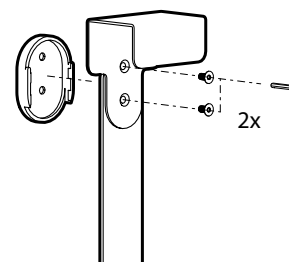
To install Oversized Door Hook, follow instructions illustrated below.



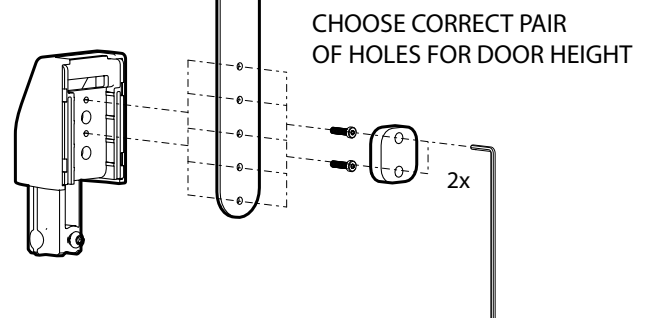
- 1** Remove top Door Hook from Bracket Arm and replace with Oversized Door Hook.



- 2** For doors that are taller than 84" up to 96", remove and replace the Bracket Arm with Oversized Arm.

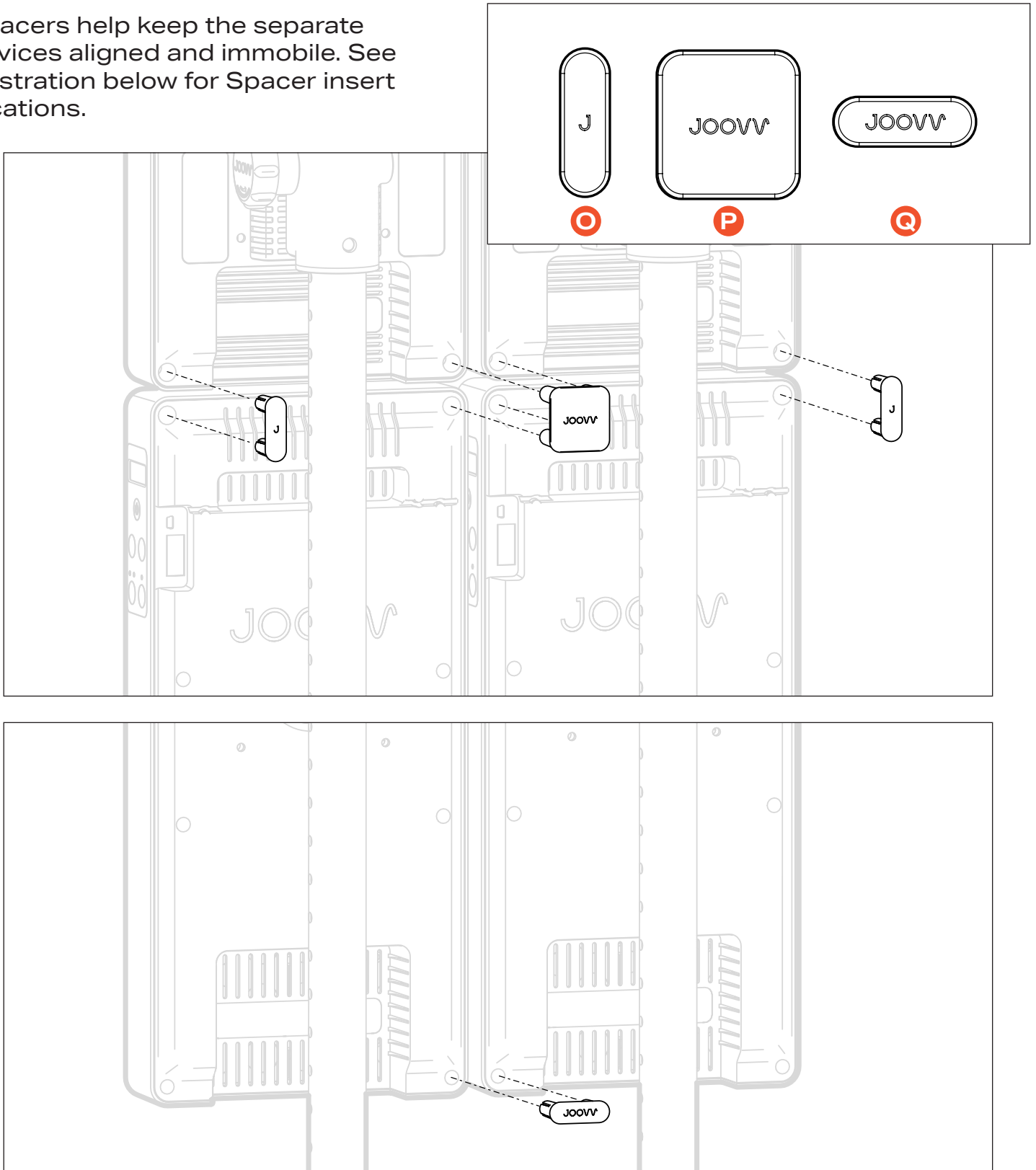


- 3** For the bottom Door Hook, remove the strap from the buckle, and install the Oversized Door Hook.



Adding Spacers to Mounted Devices

Spacers help keep the separate devices aligned and immobile. See illustration below for Spacer insert locations.



When using the spacer kit with the Joovv Mini, utilize the included O-Rings with your spacer kit before inserting.

Slide the O-Ring onto the spacer plug



| Revision History | | |
|------------------|-------------------------|-----------------------------------------------------------------------|
| Date | Revision # | Description of Changes |
| November 2020 | JV-MKT-DOC-2804 (Ver.0) | Ver.0 Release to market |
| June 2021 | JV-MKT-DOC-2804 (Ver.1) | Addition to pages 2, 4, 6, 12 - New Pole Kit |
| March 2022 | JV-MKT-DOC-2804 (Ver.2) | Addition to page 8 |
| October 2022 | JV-MKT-DOC-2804 (Ver.3) | Corrected letter identifiers throughout, Updated contact information. |

Warranty

All Joovv mounting accessories are covered by a 2-year limited warranty. Please visit our website at <https://joovv.com/pages/warranty> for details of the limited warranty. To register your product, visit <https://joovv.com/pages/warranty> for instructions. Failure to register will not affect your limited warranty rights.

Return Policy

All mounting accessories come with a 14-day return period (60-day return period when purchased as part of a device kit). If you're not satisfied with your purchase within the first 14 days, please visit our website at <https://joovv.com/pages/returns> for additional details.

Contact Information

 Joovv, Inc.
 3579 US-50, Suite 307
 Carson City, NV 89701
 USA
 Email us: help@joovv.com
 Website: www.joovv.com
 Online Setup instructions: www.joovv.com/setup

JOOVV
joovv.com