



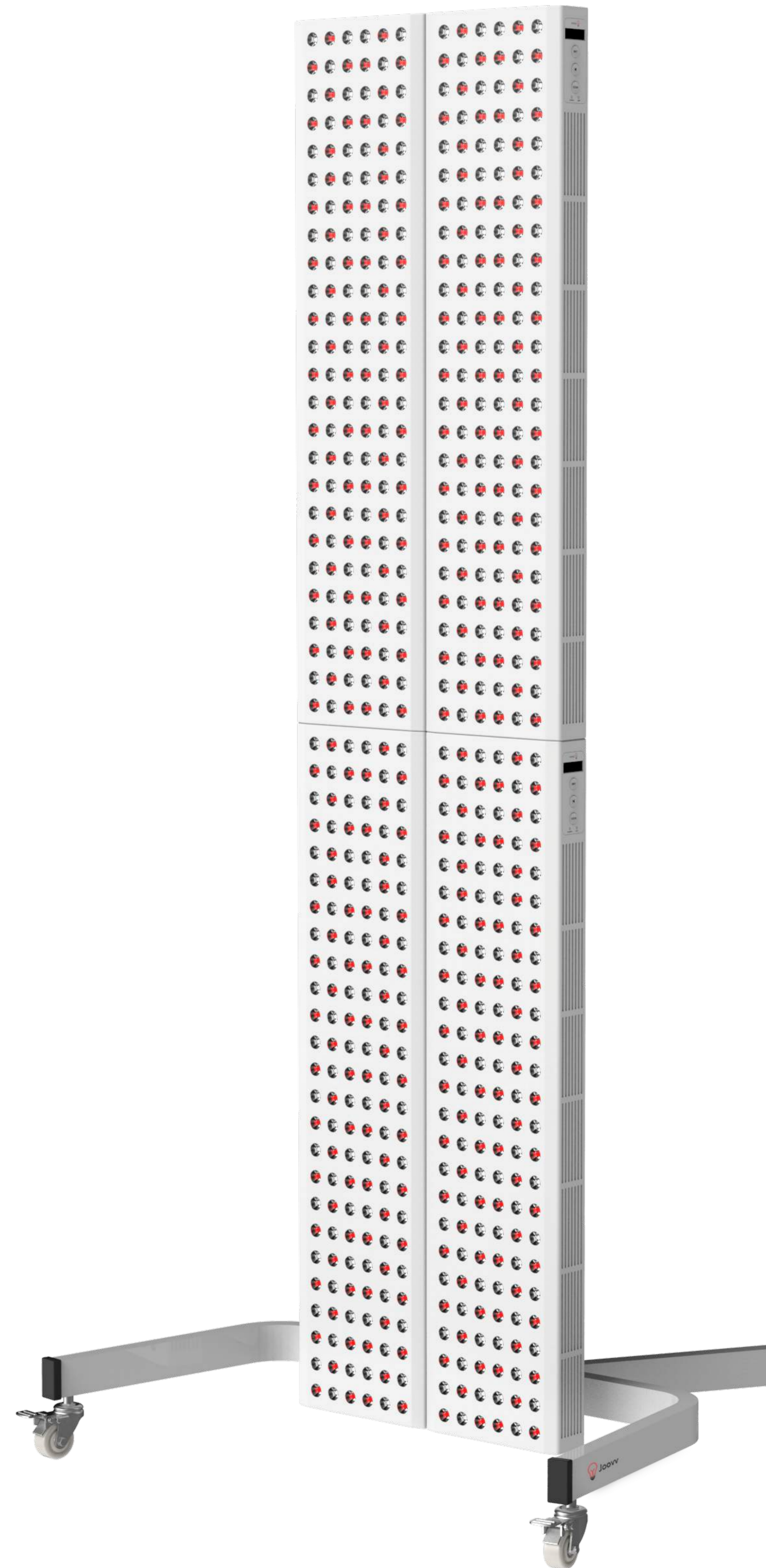
User Manual

Mobile Stand

 JOOVV.COM

 [JOOVVSOCIAL](https://www.instagram.com/JOOVVSOCIAL)

 [JOOVVSOCIAL](https://www.facebook.com/JOOVVSOCIAL)





Corporate Office

Joovv, Inc.
555 N. El Camino Real, Suite 342
San Clemente, CA 92672

Customer Service

Email: help@joovv.com
Web: www.joovv.com
Setup: www.joovv.com/setup

Important Safety Instructions

CAUTION: Do not use this product for any purpose not explicitly specified by Joovv.

Improper installation may cause property damage or personal injury. If you do not understand these directions, or have doubts about the safety of the installation, contact Customer Service at help@joovv.com. Joovv is not responsible for damage or injury caused by incorrect installation or use. This product is not designed to hold devices other than the Joovv Quad or Joovv Elite systems.

This product contains small items that could be choking hazards if swallowed. Keep these items away from young children.

Parts List

1 x Quad Hanging Frame	1 x Elite Hanging Frame
1 x Left Base Leg	1 x Right Base Leg
1 x H-Frame	2 x Upright Posts
4 x Wheels	8 x M8x14mm Allen Screws with Washers
4 x M8x56 Allen Screws with Washers	1 x M8 Allen Wrench
1 x Instruction Manual	



If you'd prefer instructional setup videos, please visit: www.joovv.com/setup

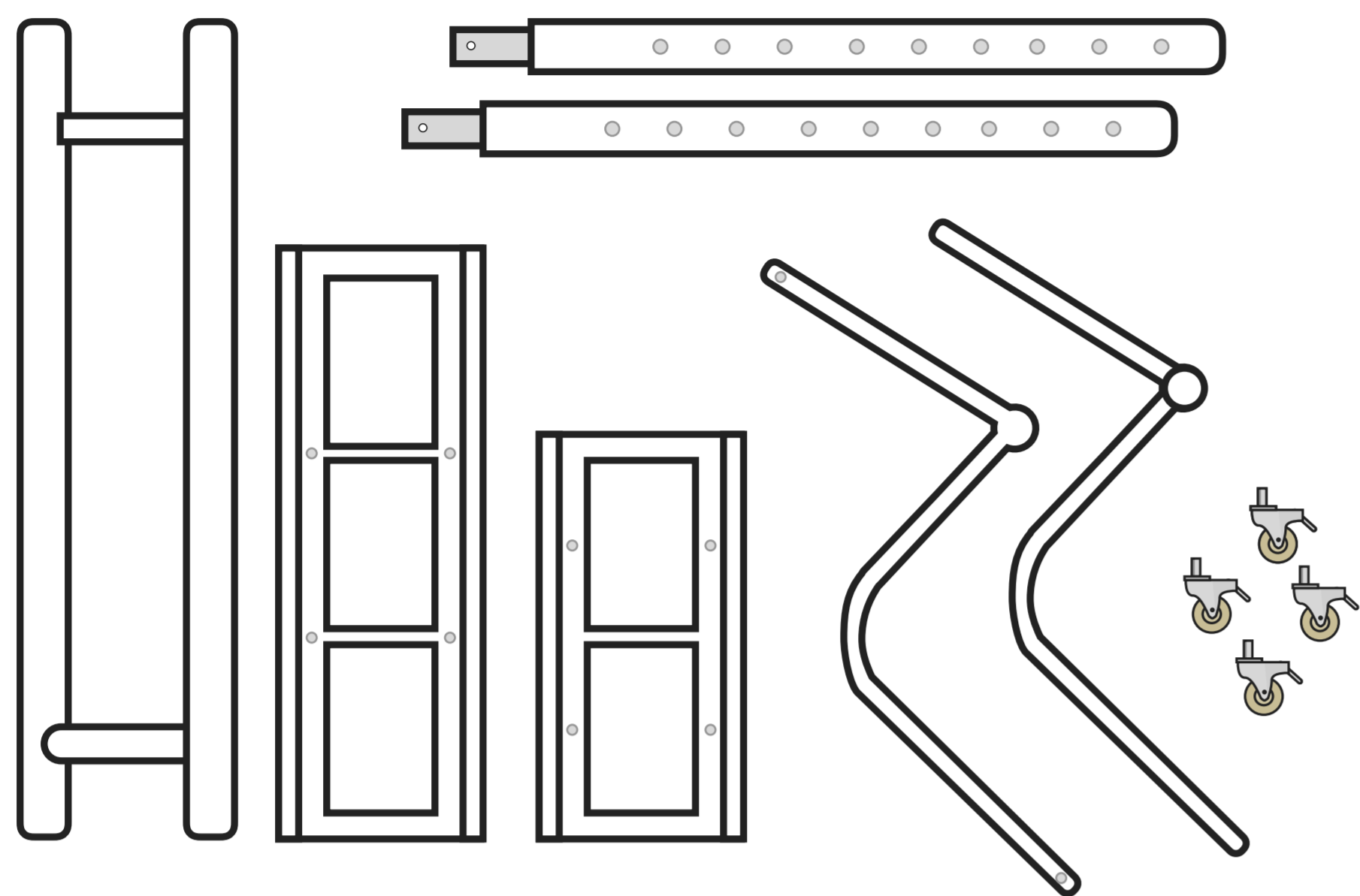


FIG. A

STEP 1

Lay out the included parts on a padded surface, such as carpet or a blanket, as shown in **Figure A**.

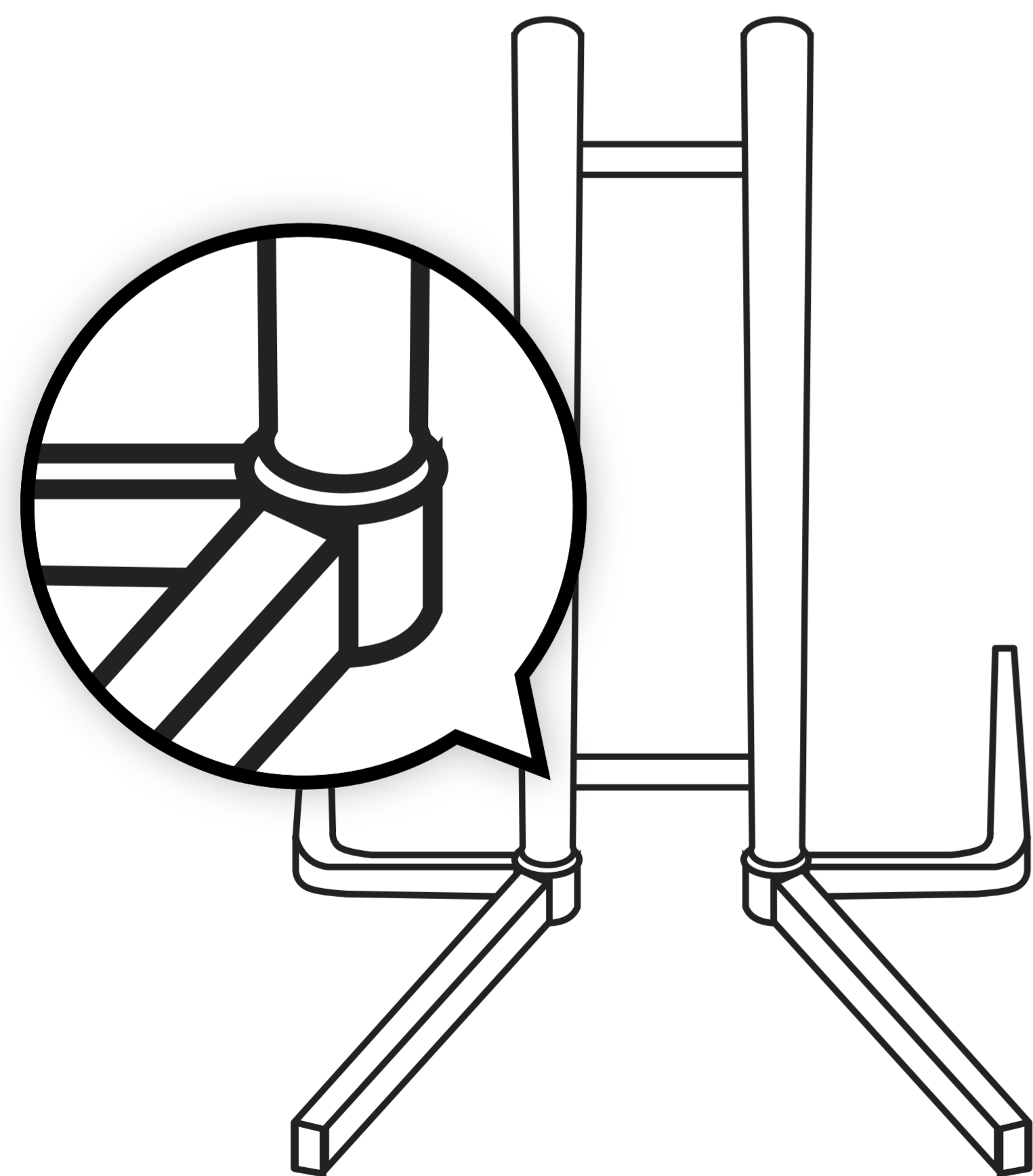


FIG. B

STEP 2

Insert the H-frame into the left and right base legs. Make sure the upper connection holes in the H-frame face the back of the stand (the side with the shorter base legs). Secure using the six (6) provided M8x14mm screws and washers, as shown in **Figure B**. There is one on the inside, one on the back, and one on the underside of each base leg.

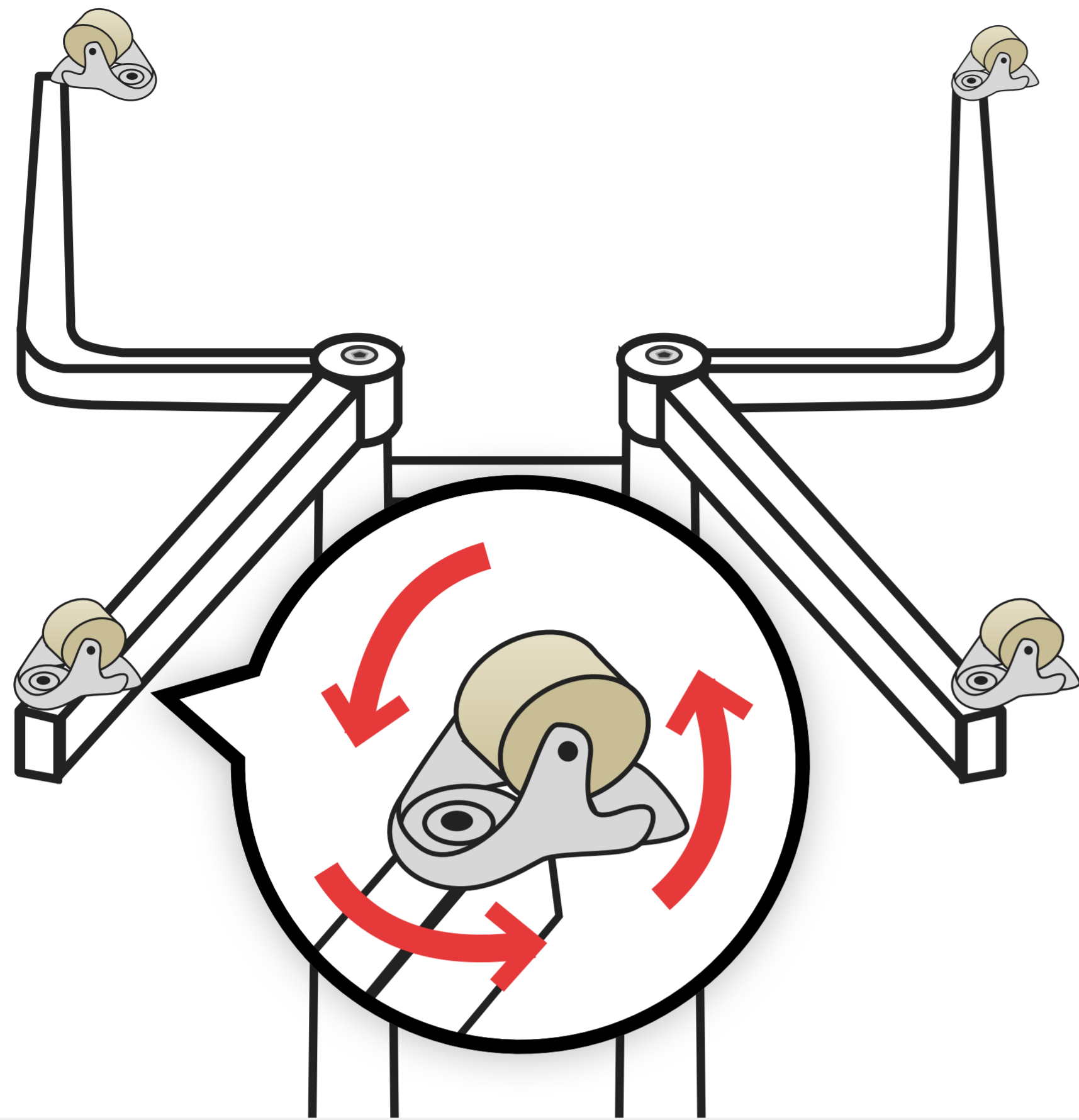


FIG. C

For Use with the Joovv Quad and Joovv Elite

STEP 3

Screw the four (4) wheels into the threaded holes on the underside of each corner of the stand, as shown in [Figure C](#).

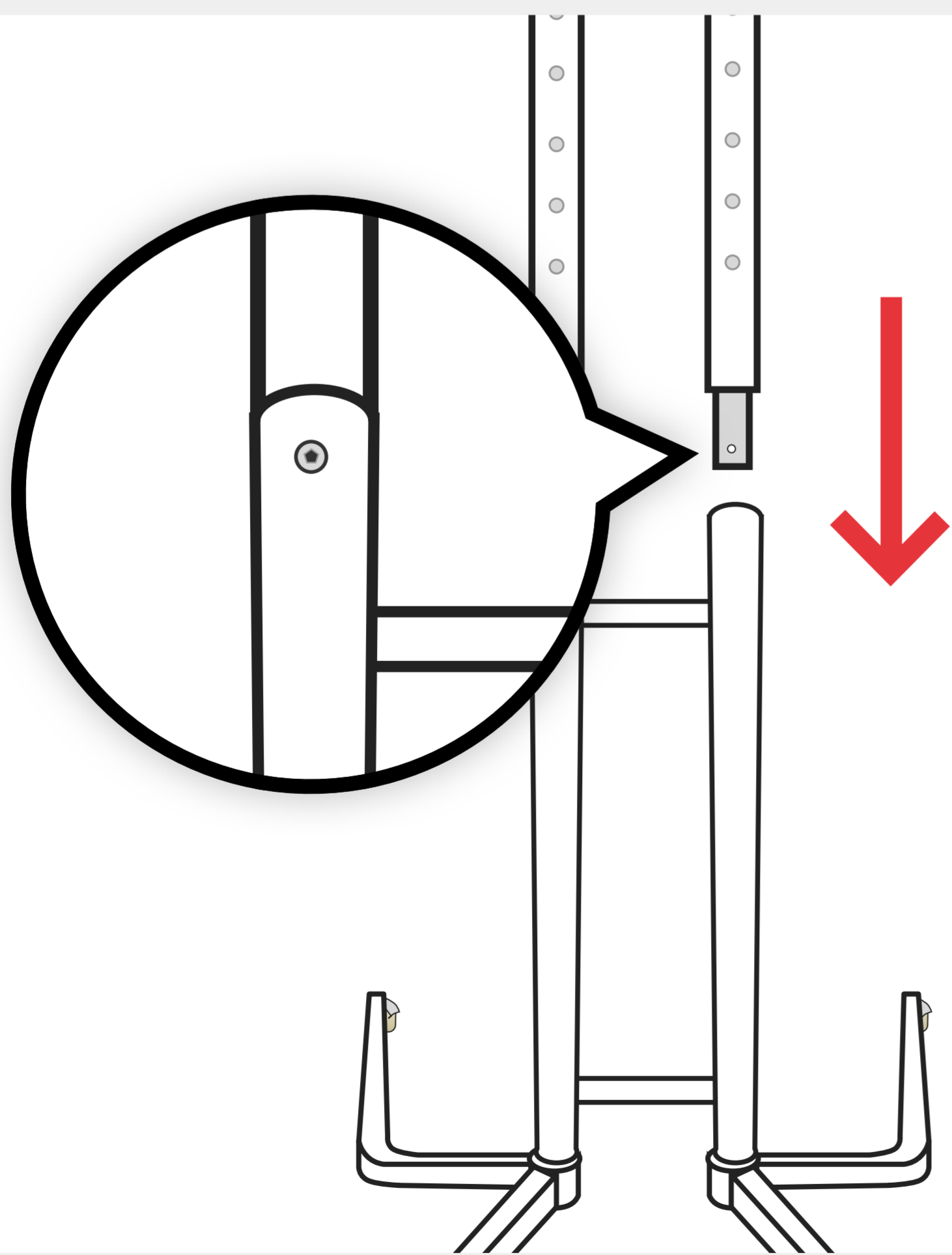


FIG. D

STEP 4

Slide the two (2) upright posts into the H-frame and secure with two M8 x 14mm screws and washers, as shown in [Figure D](#).

For Use with the Joovv Quad and Joovv Elite

STEP 5

Locate the wide hanging frame for use with the Joovv Elite system or the narrow hanging frame for the Joovv Quad system. Then secure the frame to the upright posts using four (4) M8 x 56mm screws and washers, as shown in **Figure E**.

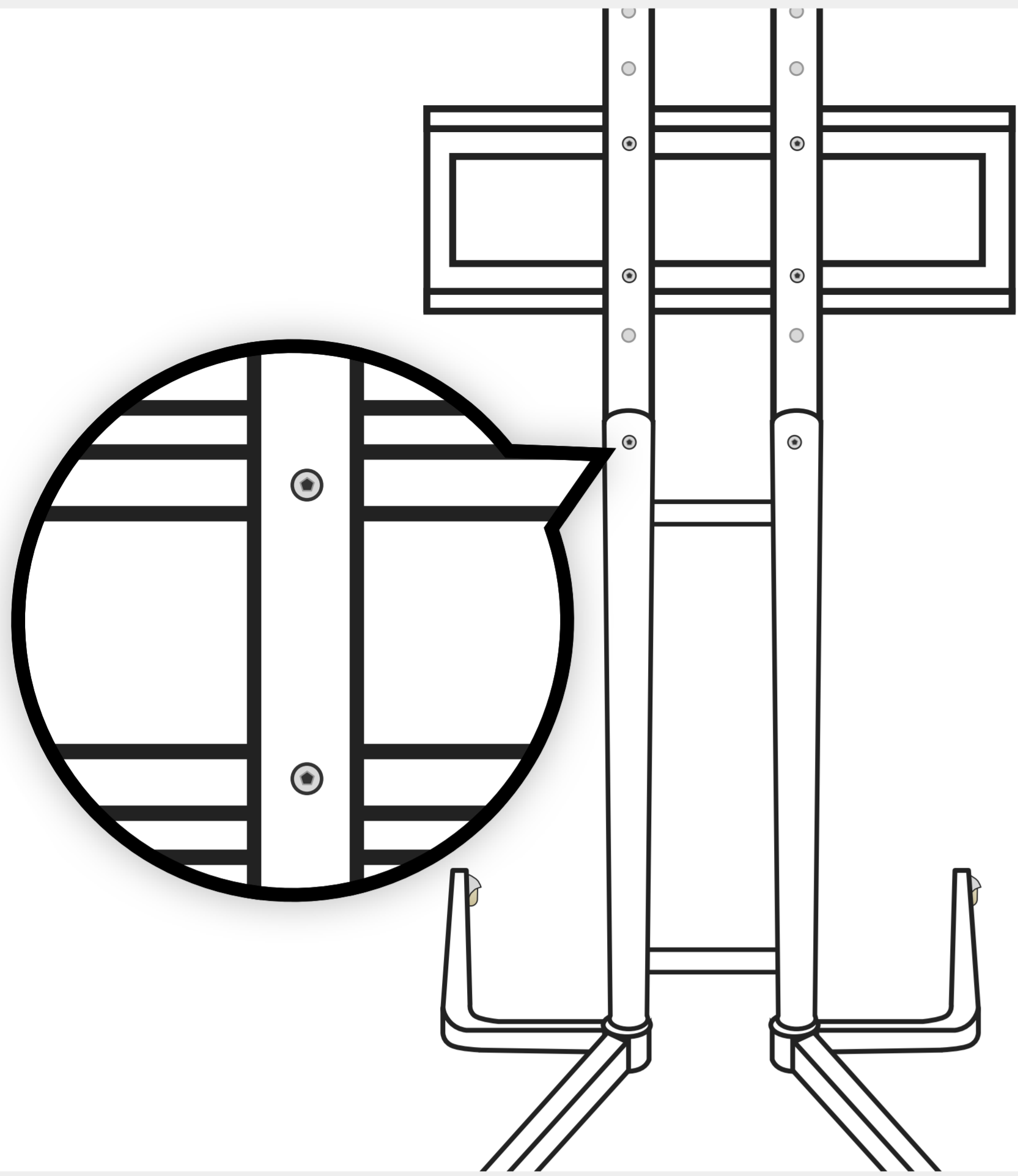


FIG. E

STEP 6

Now, just hang your Joovv Quad or Joovv Elite system on the frame attached to the stand and secure with the set screws, as shown in **Figure F**.

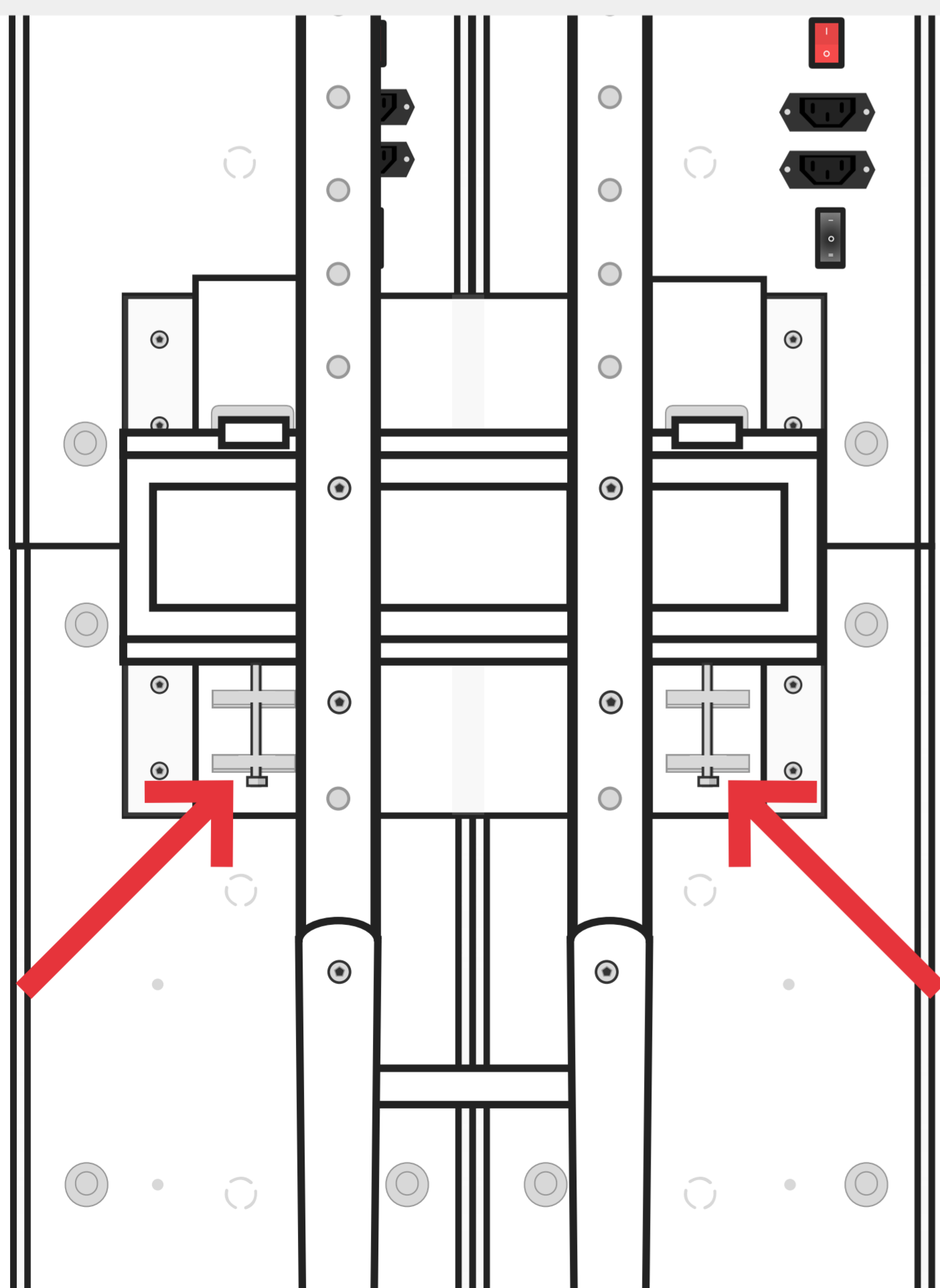


FIG. F



Note: the Joovv Quad will have two (2) set screws while the Joovv Elite will have three (3).

Warranty

Joovv, Inc. warrants that its devices will function and perform within the specifications for two years from the date of delivery. The warranty covers all parts and labor during the warranty period with some exclusions. If service is required, the buyer is responsible to return the device to Joovv within the 2-year warranty period. The warranty shall not apply to equipment that has been abused, modified, damaged, or fitted with substitute parts. Joovv shall not be liable for any consequential loss or inconvenience caused by any failure of its products. If the device is repaired or replaced, Joovv reserves the right to provide parts in different colors from the original device.

To obtain warranty service, contact Joovv Customer Service at help@joovv.com or visit www.joovv.com/warranty to request an authorization number.



Corporate Office

Joovv, Inc.
555 N. El Camino Real, Suite 342
San Clemente, CA 92672

Customer Service

Email: help@joovv.com
Web: www.joovv.com
Setup: www.joovv.com/setup