



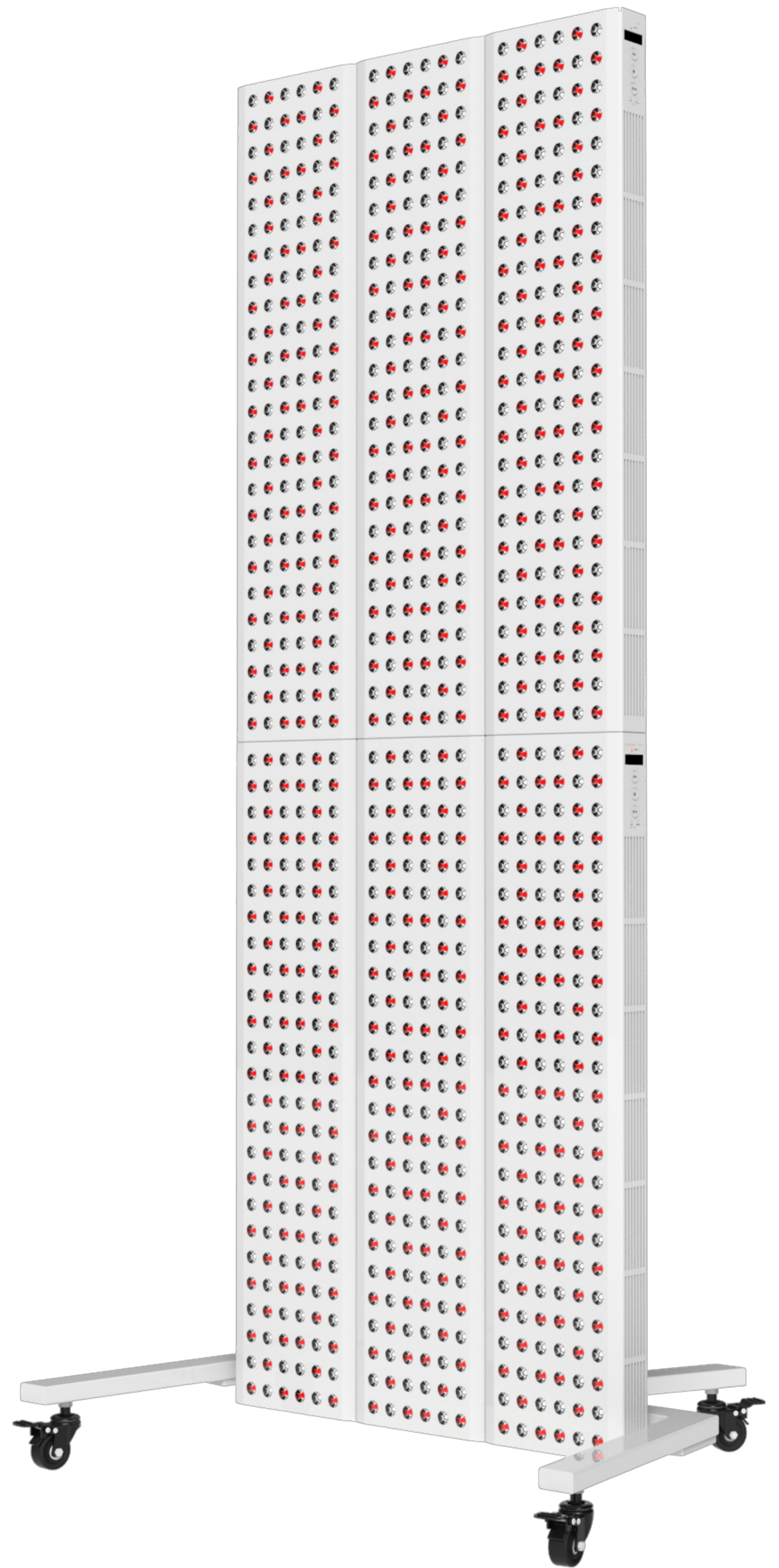
User Manual

Mobile Stand

 JOOVV.COM

 [JOOVVSOCIAL](https://www.instagram.com/joovvsocial)

 [JOOVVSOCIAL](https://www.facebook.com/joovvsocial)





Corporate Office

940 Calle Amanecer
Suite D
San Clemente, CA 92673

Customer Service

Email: help@joovv.com
Web: www.joovv.com
Setup: www.joovv.com/setup

Important Safety Instructions

CAUTION: Do not use this product for any purpose not explicitly specified by Joovv.

Improper installation may cause property damage or personal injury. If you do not understand these directions, or have doubts about the safety of the installation, contact Customer Service at help@joovv.com. Joovv is not responsible for damage or injury caused by incorrect installation or use. This product is not designed to hold devices other than the Joovv Max, Joovv Quad, or Joovv Elite systems.

This product contains small items that could be choking hazards if swallowed. Keep these items away from young children.

Parts List

1 x Quad Hanging Frame	1 x Elite Hanging Frame
1 x Wheel Base	1 x H-Frame
2 x Triangle Support Brackets	4 x Wheel Casters
4 x M10x35mm Allen Screws	4 x M8x60mm Allen Screws
4 x M8 Washers	2 x M10x12mm Allen Screws
2 x M10x65mm Allen Screws	2 x M10 Threaded Nuts
1 x M8 Allen Wrench	1 x M10 Allen Wrench
1 x M10 Wrench	1 x Instruction Manual



If you'd prefer instructional setup videos, please visit: www.joovv.com/setup

STEP 1

For Use with the Joovv Max, Joovv Quad, and Joovv Elite Systems

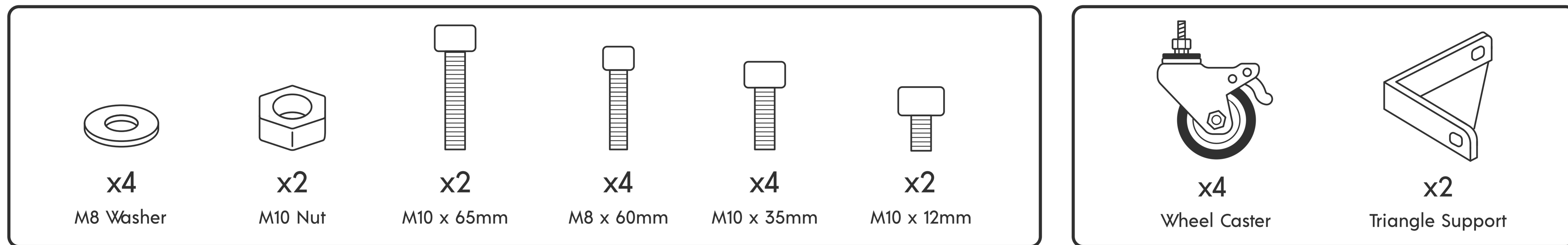
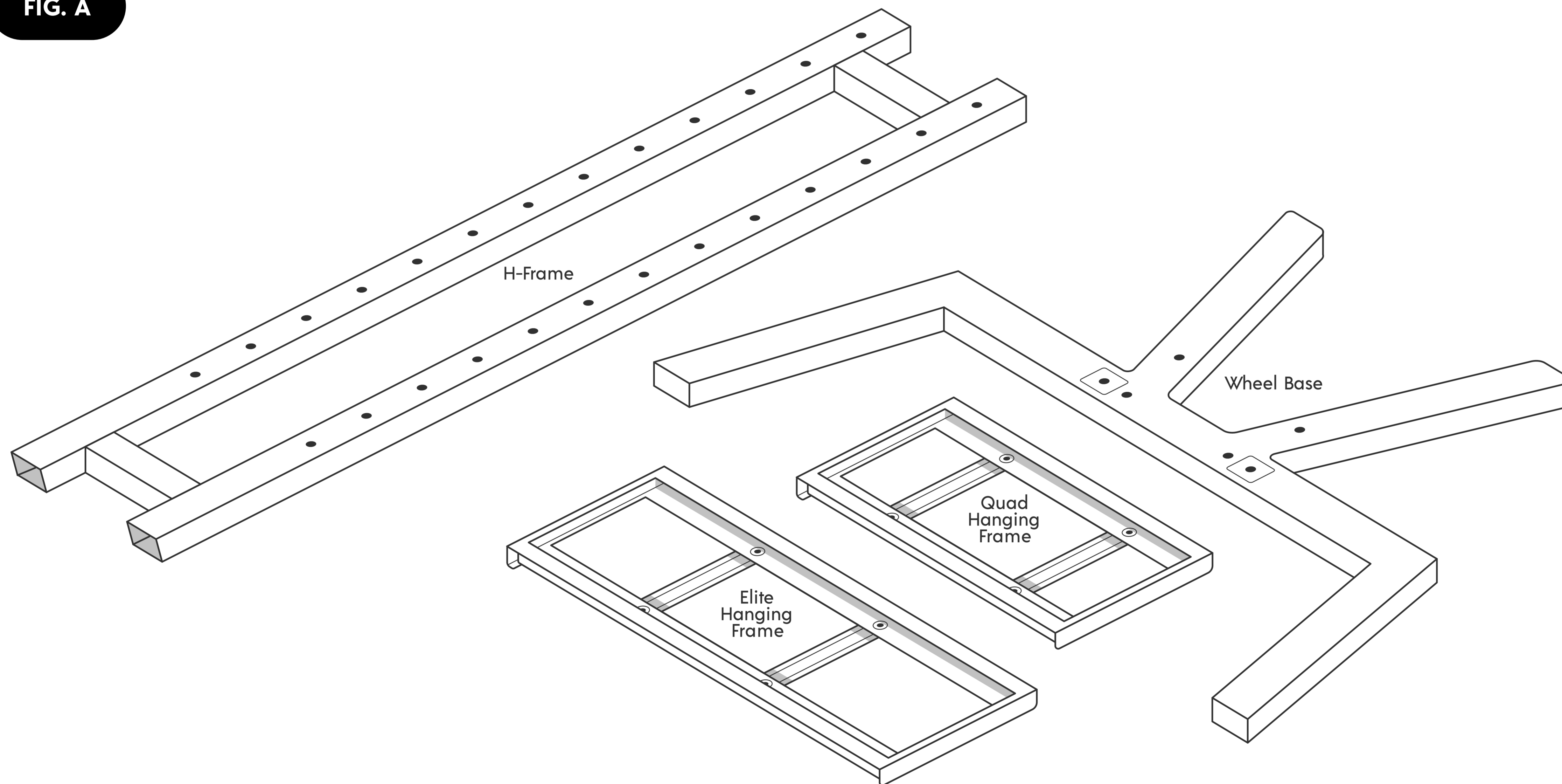
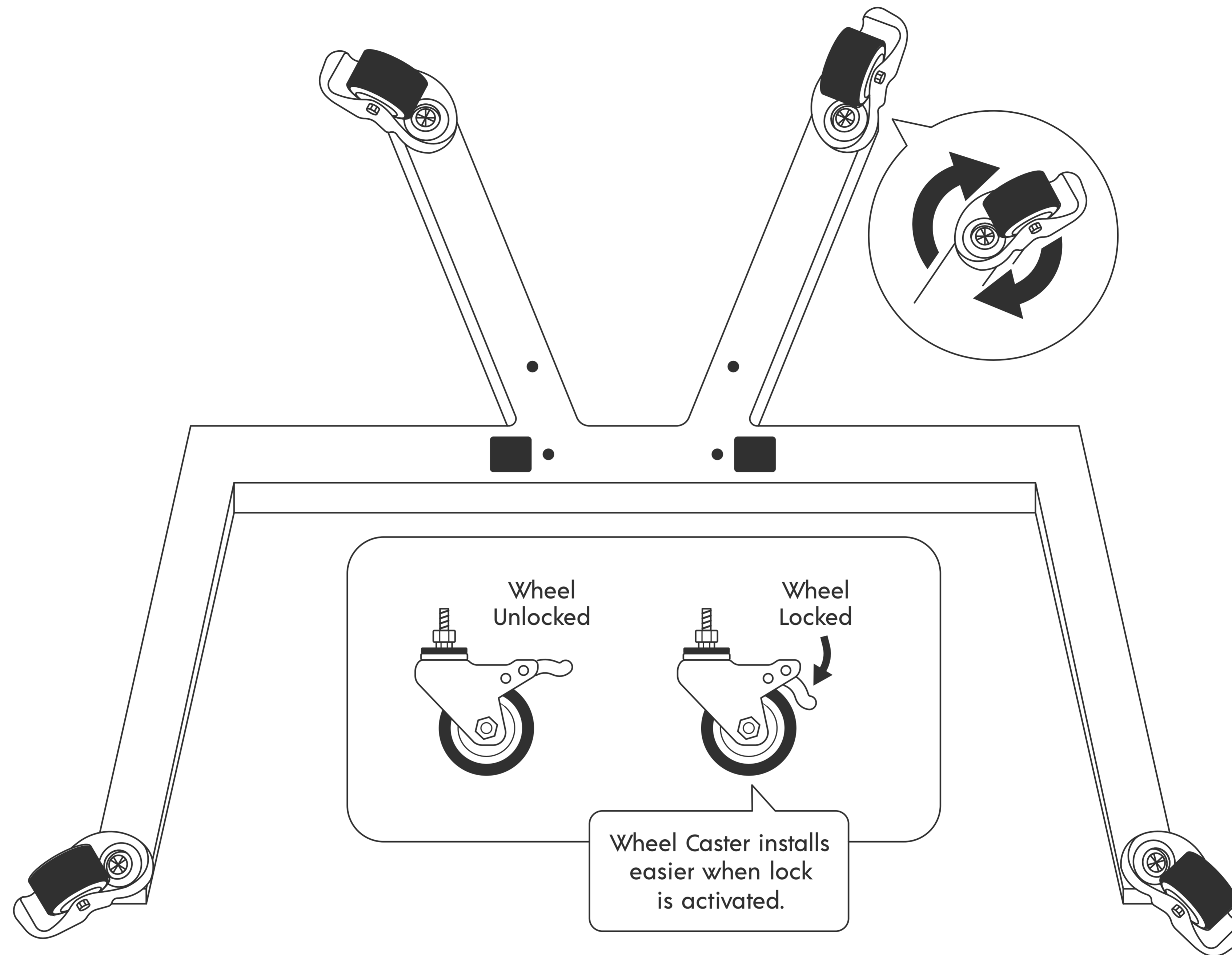


FIG. A



Lay out the included parts on a scratch-free surface, as shown in **Figure A**.

FIG. B



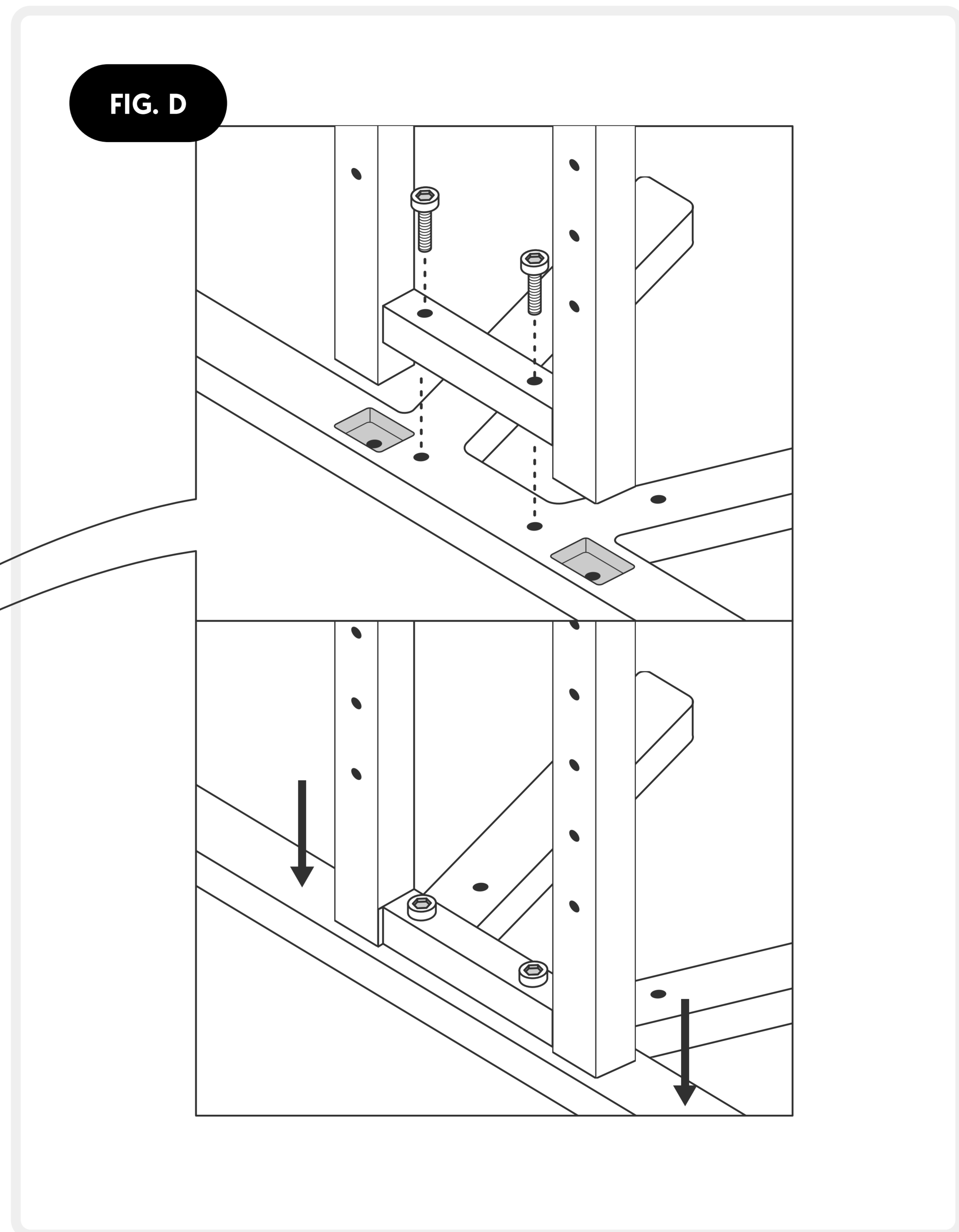
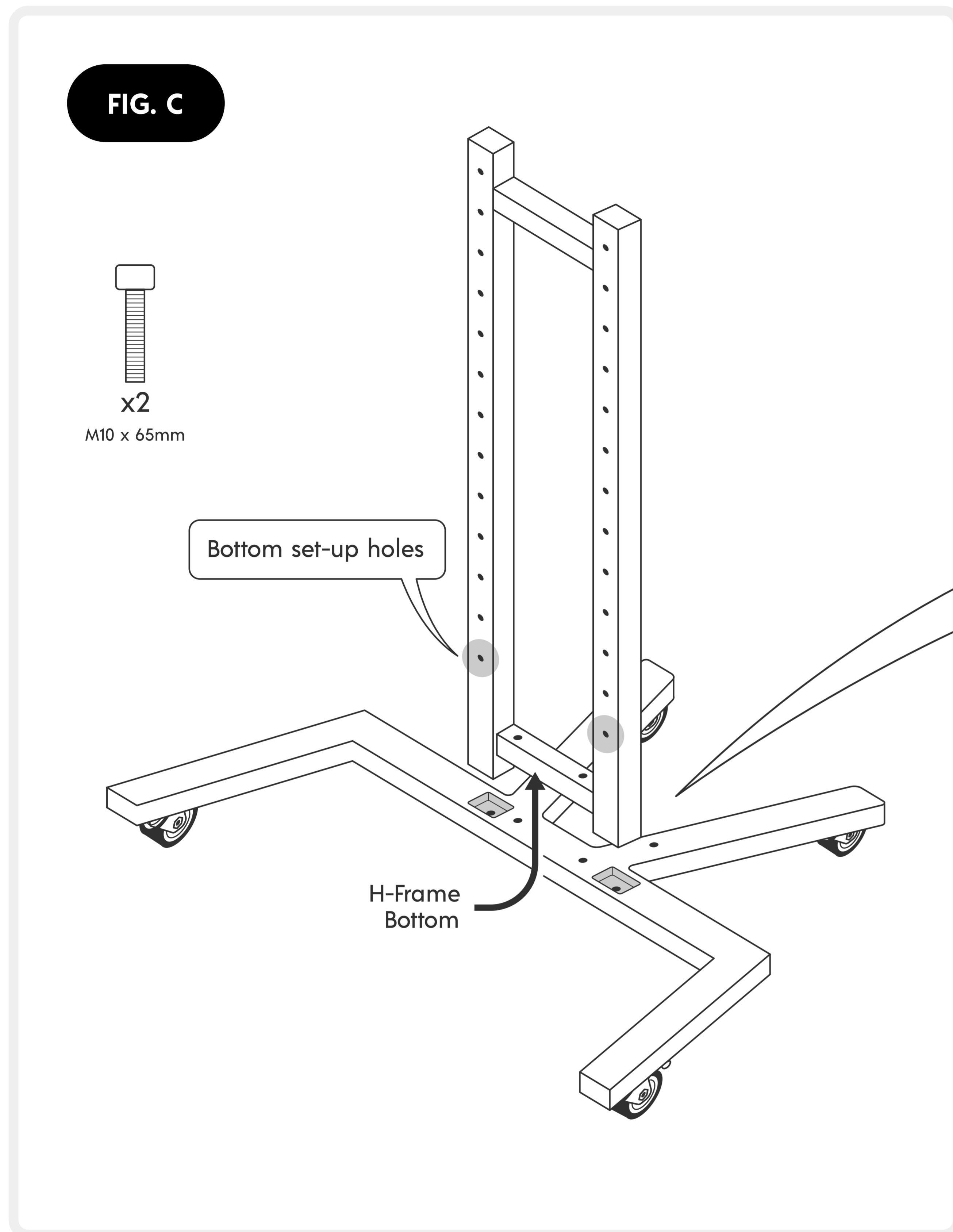
Locate the four (4) wheel casters and screw the wheels clockwise into the threaded holes on the underside of the wheel base. Press and activate the wheel lock to allow for the casters to screw in without swiveling, as shown in **Figure B**.



Adjust leveling nuts accordingly to help with uneven surfaces.

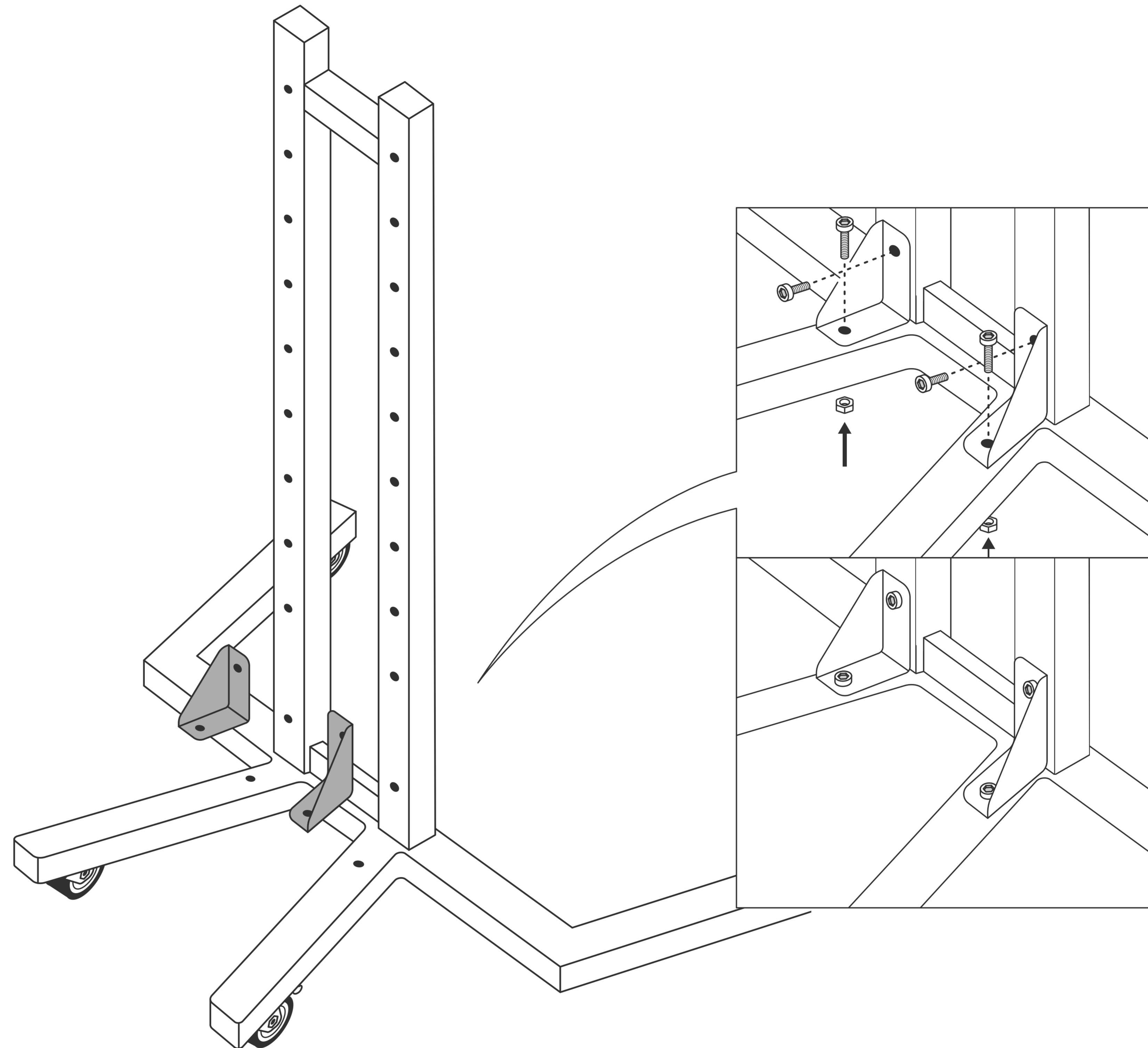
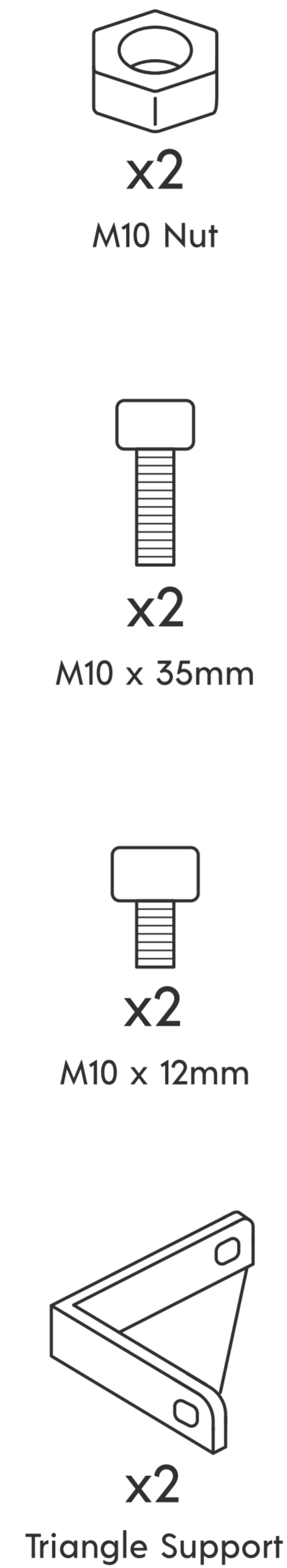
STEP 3

For Use with the Joovv Max, Joovv Quad, and Joovv Elite Systems



Flip the wheel base upright and locate the H-Frame. Align the H-frame so the holes in the horizontal support bar are at the bottom. Next, flip the H-frame so the bottom set-up holes are facing the back, as shown in **Figure C**. Insert the H-frame into the square slots and secure using (2) M10x65mm Allen screws, as shown in **Figure D**. Hand tighten using the provided M10 Allen wrench.

FIG. E

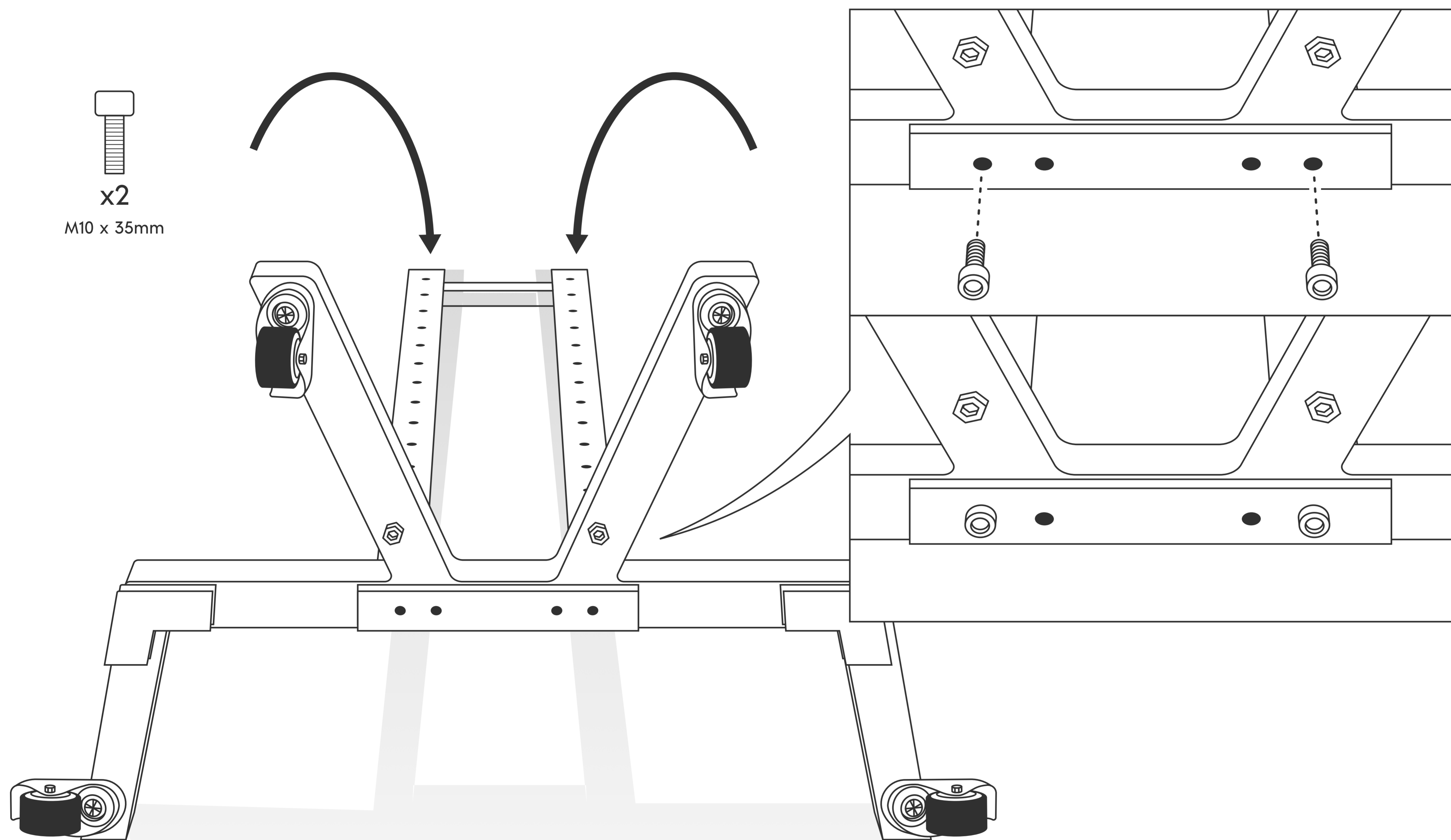


Locate the (2) triangle support brackets and attach them to the H-frame using (2) M10x12mm Allen screws. Then use (2) M10x35mm Allen screws and insert them through the holes in the wheel base, securing each with an M10 threaded nut. Use the provided M10 wrench and M10 Allen wrench to hand tighten, as shown in **Figure E**.

STEP 5

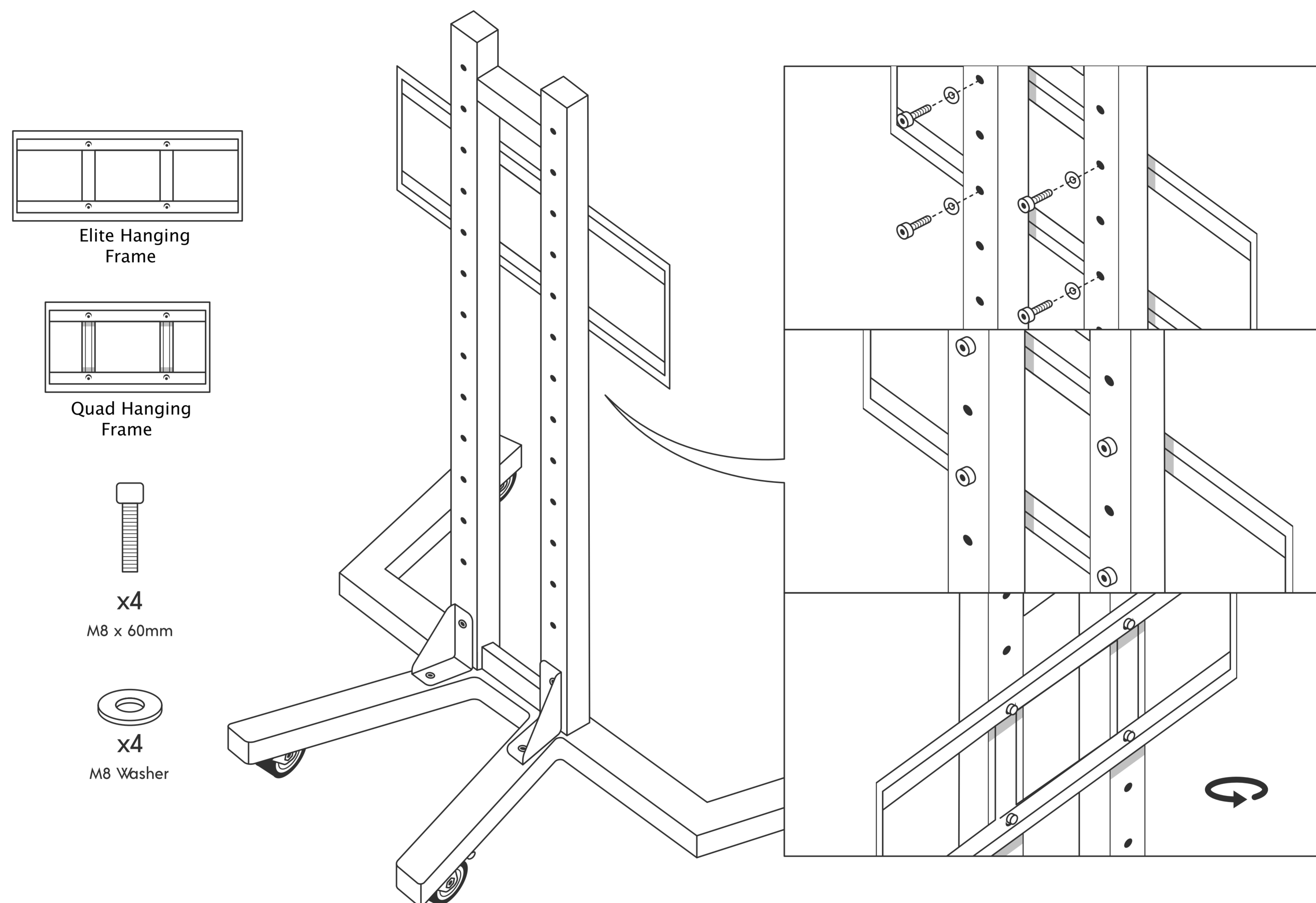
For Use with the Joovv Max, Joovv Quad, and Joovv Elite Systems

FIG. F



Lay the stand down with the front facing the floor. Locate (2) M10x35mm Allen screws and insert them through the holes in the wheel base and hand tighten with the provided M10 Allen wrench, as shown in **Figure F**.

FIG. G



For the Joovv Max and Joovv Quad systems, use the Quad hanging frame. For the Joovv Elite system, use the Elite hanging frame. To connect the hanging frames, use the (4) M8x60mm Allen screws and (4) M8 washers. Insert the screws into the back of the H-frame and thread them into the welded nuts on the hanging frame. Use the M8 Allen wrench to hand tighten, as shown in **Figure G**.



Recommended height: Mount the Quad or Elite hanging frame using the 3rd and 5th row of holes from the top of the H-frame.

Limited Warranty

Joovv, Inc. (Joovv) warrants that its devices will function and perform within the specifications for two years from the date of delivery. The warranty covers all parts and labor during the warranty period with some exclusions. If service is required, the buyer is responsible to return the device to Joovv within the 2-year warranty period. The warranty shall not apply to equipment that has been abused, modified, damaged, or fitted with substitute parts. Joovv shall not be liable for any consequential loss or inconvenience caused by any failure of its products. If the device is repaired or replaced, Joovv reserves the right to provide parts in different colors from the original device.

To obtain warranty service, contact Joovv Customer Service at help@joovv.com or visit www.joovv.com/warranty to request an authorization number.



Corporate Office

940 Calle Amanecer
Suite D
San Clemente, CA 92673

Customer Service

Email: help@joovv.com
Web: www.joovv.com
Setup: www.joovv.com/setup