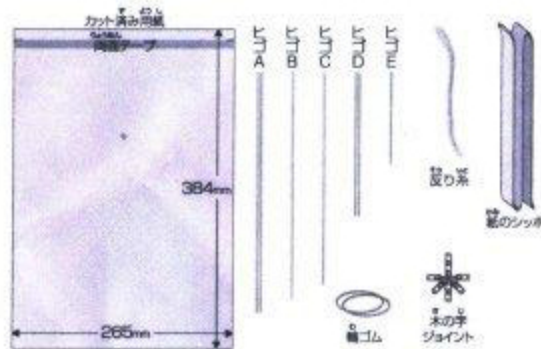


Traditional Japanese Kite
New kakudako



Materials	
Sail (Japanese paper)	1pc
Bamboo A (288mm long)	2pcs
Bamboo B (272mm long)	1pc
Bamboo C (255mm long)	1pc
Bamboo D (172mm long)	2pcs
Bamboo E (110mm long)	1pc
Connector	1pc
Tail	2pcs
Bow line	1pc
Rubber band	2pcs

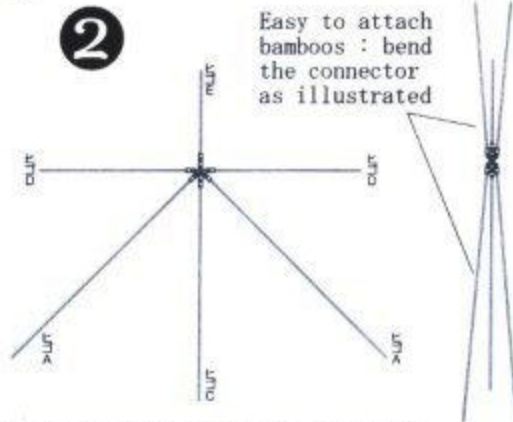
How to make New Kakudako



1 Decorate the paper.

Slits

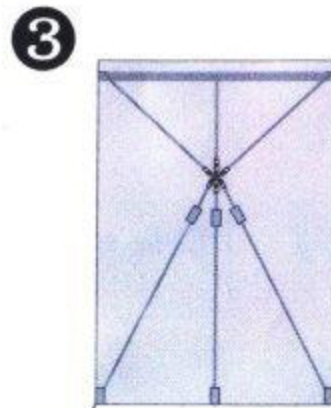
Decorate the paper front. (A double stick tape preput on the paper back) The top has the slits.



2

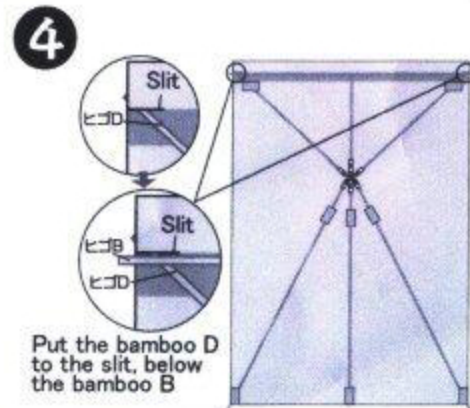
Easy to attach bamboos : bend the connector as illustrated

Insert the bamboos to the connector as shown above.



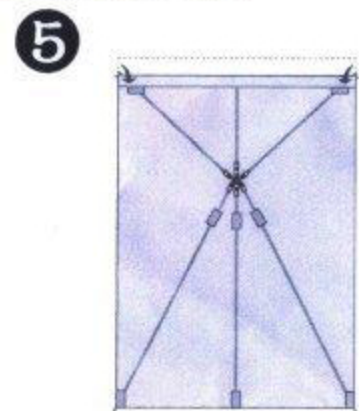
3

Fit a hole of the connector to a hole of the paper. Fix the bamboos with scotch tape



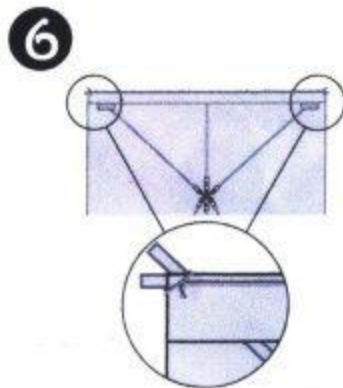
4

Put the bamboo D to the slit, below the bamboo B. Fix the bamboo D with scotch tape. Attach the bamboo B to the upper side of the double-sided tape.



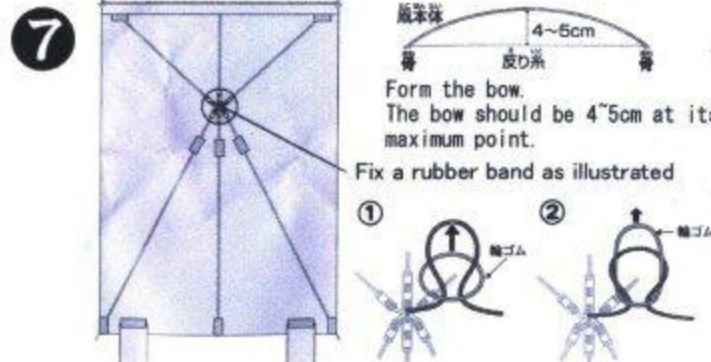
5

Fold the leading edge.



6

Attach a bow line.



7

Form the bow. The bow should be 4~5cm at its maximum point.

Fix a rubber band as illustrated

Pass the flying line through a hole of the connector and fix it with a rubber band. Attach the tails.