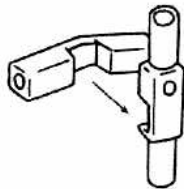


## Diamond Kite Train Kit (5 kites)

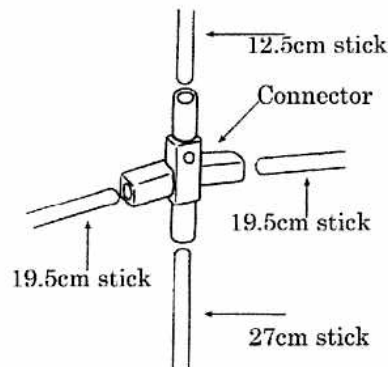
### Materials

Plastic sail	5	Connector	5
27cm bamboo stick	5	Connector	5
19.5cm bamboo stick	10	Tail	5
12.5cm bamboo stick	5	String (25m)	1

### How to Make



Put two different connectors together and put all sticks to the united connector.



Decorate 5 sails with whatever design you like.

Tape the sticks to the sail back and make 5 kites in the same way.

Pass fly line through the kites and move each kite at the intervals of 1m.

Tie a knot at the back of kite and also at the front, as illustrated below.

