

THE FIXTURE RANGE



The Megaman fixture range continues to expand!

Megaman now offers a full spectrum of fixtures for applications such as retail, hotels, restaurants, homes and offices.

Megaman's extensive range of interior and exterior light fittings are designed around LED low energy lighting.

We aim to promote energy efficiency whilst delivering high performance lighting effects in commercial and residential applications.

Whether you are looking for recessed downlights for general lighting, track

lights for spot lighting or vandal resistant LED bulkheads for outdoor lighting, we have the right product mix for you to fulfil ever demanding lighting needs.

	DINO LED BATTEN	4-5		LUSTER-LED HIGH BAY	34-35
	FONDA LED BULKHEAD	6-7		CARLO LED DOWNLIGHT	36-37
	RENZO LED BULKHEAD	8-9		VITO LED DOWNLIGHT	38-39
	KARA LED TILT FLOODLIGHT	10-11		GENOA LED DOWNLIGHT	40-41
	ESTELLA RECESSED LED LOUVRE	12-13		ABBY PIN-HOLE DOWNLIGHT	42-43
	BERTO LED PANEL	14-15		CORTONA LED FLOODLIGHT	44-45
	VERSOFIT FIRE RATED LED DOWNLIGHT	16-17		VERONA DOWNLIGHT	46-47
	SIENA INTEGRATED DOWNLIGHT	18-19		MIRO DOWNLIGHT	48-49
	COMPACT SIENA LED DOWNLIGHT	20-21		LUCCA DOWNLIGHT	50-51
	SIENA SR INTEGRATED DOWNLIGHT	22-23		MOSAIC TRACK LIGHT	52-53
	SIENA FR INTEGRATED DOWNLIGHT	24-25		TOBY TRACK LIGHT	54-55
	RICO LED DOWNLIGHT	26-27		ALDA TRACK LIGHT	56-57
	COMPACT RICO LED DOWNLIGHT	28-29		MODENA TRACK LIGHT	58-59
	ZEKI 50MM MULTI-HEAD GIMBAL	30-31		TRACK 3-CIRCUIT SYSTEM	60-61
	ZEKI 111MM MULTI-HEAD GIMBAL	32-33			

DINO LED BATTEN

PART OF THE MEGAMAN FIXTURES RANGE

MEGAMAN®



DINO

A superior, modern linear light fitting ideally suited to car parks, walkways and corridors.



FEATURES

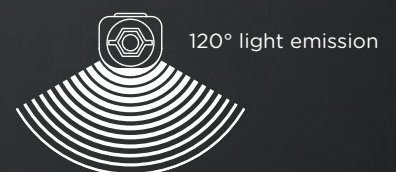
- Integrated LED battens with tough polycarbonate body
- Available in 5 sizes, 19.5W, 22.5W, 35W, 41.5W and 63W variants
- L90 at 25,000 hours, 50,000 hours rated life
- 120° beam angle
- IP66 protection, UV resistant and corrosion proof
- IK08 for vandal resistance
- Security D-brackets sold separately
- PIR sensor options available
- Wire through feature making cable runs shorter
- Up to 103 lumens per watt

BENEFITS

- Ideal alternative to T5 and T8 fluorescent fittings
- Several different wattages and lengths available to meet requirements
- Wide light distribution
- IP66 rated against water and dust ingress
- Suitable for indoor and outdoor applications
- Suitable for high vandalism risk installations
- PIR sensor dims to 10% output with adjustable time delay
- Simple installation and easy maintenance
- Part L compliant

APPLICATIONS

- Car parks
- Warehouses
- Workshops
- Underground areas
- Corridors





SPECIFICATION



UP TO
6500*
LUMENS



50,000*
HOURS



IP66
RATED



IK08
RATED



CLASS II
RATED

DINO LED BATTEN

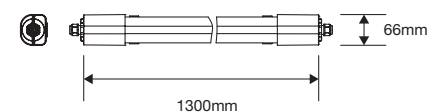
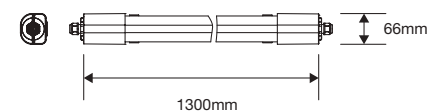
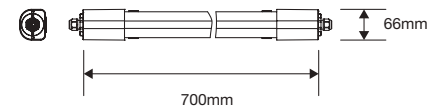
UK Order Code >	190191	190291	190386	190194 High Output	190197 High Output	190591 PIR Sensor	190731 PIR Sensor
Watts	19.5W	22.5W	35W	41.5W	63W	41.5W	63W
Colour Temp (K) /CRI	4000 / 80	4000 / 80	4000 / 80	4000 / 80	4000 / 80	4000 / 80	4000 / 80
Lumens (lm)	1800	2350	3600	4300	6500	4300	6500
Candelas (cd)	410	550	780	1000	1400	1000	1400
Dimmable	N	N	N	N	N	N	N
Hrs Lamp Life (L70)	50,000	50,000	50,000	50,000	50,000	50,000	50,000
Hrs Lamp Life (L90)	25,000	25,000	25,000	25,000	25,000	25,000	25,000
Beam Angle	120°	120°	120°	120°	120°	120°	120°
Weight (g)	663	1079	1243	1103	1283	1116	1296
Dimensions (L x D mm)	700x66 (2ft)	1300x66 (4ft)	1600x66 (5ft)	1300x66 (4ft)	1600x66 (5ft)	1300x66 (4ft)	1600x66 (5ft)

DINO 2

Coming soon!

ENERGY SAVINGS

	MEGAMAN DINO	58W T8 TUBE (63W SYSTEM POWER)
Annual running cost	£28.23	£39.15
Annual saving**	£10.92 / 27%	-
Environmental impact saving	78kW / 42kgs CO₂	-



** Savings are calculated on 4638 hours use per annum at 14p kW hr
 † Maximum output from highest spec lamp/module in range.
 * Lamps are tested to both L70 and L90 standards. Figure represents L70.

FONDA LED BULKHEAD

PART OF THE MEGAMAN FIXTURES RANGE

MEGAMAN®



FONDA

Tough and stylish new integrated outdoor LED bulkhead from Megaman that offers modern styling and low glare.

FEATURES

- Circular or oval design with opal diffuser
- IP66 protection against water and dust
- Comes complete with security screws and key
- Corrosion free tough polycarbonate enclosure, UV resistant
- IK10 for vandal resistance
- White, silver and black options
- L90 at 25,000 hours, 50,000 hours rated life
- Up to 76 lumens per watt

BENEFITS

- Efficient replacement for CFL luminaires
- Flexibility for a range of applications
- IP66 rated against water and dust ingress
- Suitable for indoor and outdoor applications
- Suitable for high vandalism risk installations
- Suitable for wall and ceiling mounting
- Low maintenance and added cost savings
- Part L compliant

APPLICATIONS

- Car parks
- Outside walls
- Warehouses
- Stairwells and walkways
- Social housing
- Large commercial buildings
- Local authorities





800*
LUMENS



50,000*
HOURS



IP66
RATED



IK10
RATED

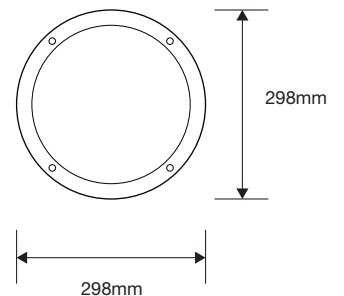
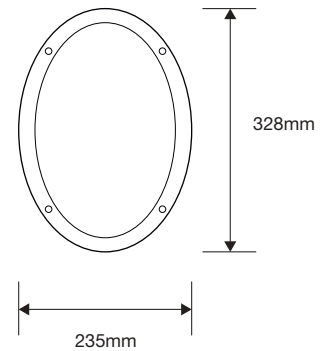


CLASS II
RATED

SPECIFICATION

FONDA LED BULKHEAD

UK Order Code >	180317	180309	180314	180312
Watts	10.5W	10.5W	10.5W	10.5W
Colour Temp (K) /CRI	4000 / 80	4000 / 80	3000 / 80	4000 / 80
Lumens (lm)	800	800	800	800
Candelas (cd)	320	320	320	320
Dimmable	N	N	N	N
Hrs Lamp Life (L70)	50,000	50,000	50,000	50,000
Hrs Lamp Life (L90)	25,000	25,000	25,000	25,000
Beam Angle	110°	110°	110°	110°
Weight (g)	728	745	745	745
Dimensions (LxWxD mm)	328x235x91	298x298x91	298x298x91	298x298x91
Colour/Finish	Silver	White	Black	Black
Shape	Oval	Round	Round	Round



ENERGY SAVINGS

	MEGAMAN 10.5W FONDA	60W INCANDESCENT GLS
Annual running cost	£6.44	£36.82
Annual saving**	£30.38 / 82.5%	-
Environmental impact saving	216kW / 118kgs CO ₂	-

** Savings are calculated on 4638 hours use per annum at 14p kW hr
 † Maximum output from highest spec lamp/module in range.
 * Lamps are tested to both L70 and L90 standards. Figure represents L70.

RENZO LED BULKHEAD

PART OF THE MEGAMAN FIXTURES RANGE

MEGAMAN®



RENZO

Surface mounted LED bulkhead with unobtrusive and understated design that blends with all interiors.

FEATURES

- Circular design with opal diffuser
- Microwave motion sensor options available
- Shatterproof design
- L90 at 25,000 hours, 50,000 hours rated life
- Up to 76 lumens per watt

BENEFITS

- Efficient replacement for CFL luminaires (from 16W-28W 2D lamps)
- Evenly distributed lighting effect for visual comfort
- Uniformity of light and high continual output
- Activated by movement, only on when required
- Suitable for wall and ceiling mounting
- Low maintenance and added cost savings
- Will not discolour with use
- Part L compliant

APPLICATIONS

- Hotels
- Kitchens
- Corridors
- Stairwells
- General commercial
- Bathrooms (IP44)

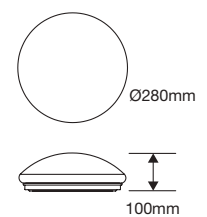
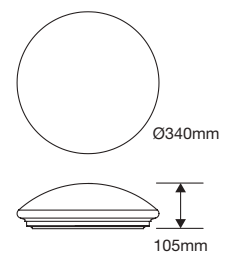
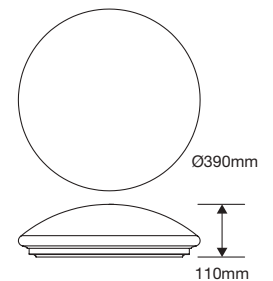


SPECIFICATION

- UP TO
1400*
 LUMENS
- 50,000***
 HOURS
- IP44**
 RATED
- CLASS I**
 RATED

RENZO LED BULKHEAD

UK Order Code >	180160	180167	180169 Sensor	180240	180283 Sensor
Watts	10.5W	14.5W	15.5W	18.5W	19.5W
Colour Temp (K) /CRI	4000 / 80	4000 / 80	4000 / 80	4000 / 80	4000 / 80
Lumens (lm)	800	1100	1100	1400	1400
Candelas (cd)	250	320	320	450	450
Dimmable	N	N	N	N	N
Hrs Lamp Life (L70)	50,000	50,000	50,000	50,000	50,000
Hrs Lamp Life (L90)	25,000	25,000	25,000	25,000	25,000
Beam Angle	110°	110°	110°	110°	110°
Weight (g)	374	560	570	700	770
Dimensions (LxWxD mm)	280x280x100	340x340x105	340x340x105	390x390x110	390x390x110
Colour/Finish	White	White	White	White	White
Shape	Round	Round	Round	Round	Round



† Maximum output from highest spec lamp/module in range.
 * Lamps are tested to both L70 and L90 standards. Figure represents L70.

KARA LED TILT FLOODLIGHT

PART OF THE MEGAMAN FIXTURES RANGE

MEGAMAN[®]



KARA

An LED Floodlight offering uniquely effective illumination for cabinets and window displays.

FEATURES

- Fully adjustable tilting head
- Remote driver included
- Shallow recess depth
- L90 at 25,000 hours, 50,000 hours rated life
- Up to 81 lumens per watt

BENEFITS

- Ideal replacement for 35W recessed HID Downlight, won't change colour over lifetime
- Tilting head allows for flexibility in most applications such as retail cabinets and window displays
- Easily adjusted to desired angle for sophisticated lighting
- Slim design makes it accommodating for lots of installations
- Low maintenance and added cost savings
- Part L compliant

APPLICATIONS

- Shops
- Museums and galleries
- Display cabinets
- Wall lighting
- Indoor architectural



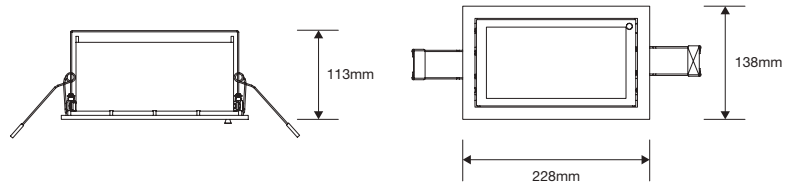


SPECIFICATION



KARA LED TILT FLOODLIGHT

UK Order Code >	180408	180419
Watts	29.5W	29.5W
Colour Temp (K) /CRI	3000 / 80	4000 / 80
Lumens (lm)	2200	2400
Candelas (cd)	1200	1200
Dimmable	N	N
Hrs Lamp Life (L70)	50,000	50,000
Hrs Lamp Life (L90)	25,000	25,000
Beam Angle	100°	100°
Weight (g)	1185	1185
Dimensions (LxWxD mm)	228x138x113	228x138x113
Colour/Finish	White	White
Hole Cut-Out (mm)	220x130	220x130
Min Ceiling Depth (mm)	123	123
Tilt Angle	65°	65°



* Maximum output from highest spec lamp/module in range.
 * Lamps are tested to both L70 and L90 standards. Figure represents L70.

ESTELA RECESSED LED LOUVRE

PART OF THE MEGAMAN FIXTURES RANGE

MEGAMAN®



ESTELA

New generation of modular luminaires with distinct appearance.

FEATURES

- Recessed integrated LED Louvre panel
- Available in square or rectangular variants, integrated with a driver
- I-beam construction at the back plate
- 90° beam angle
- Light weight
- L90 at 25,000 hours, 50,000 hours rated life
- Up to 116 lumens per watt efficacy

BENEFITS

- Perfect replacement to T5 and T8 fluorescent louvre fittings
- Mountable on both exposed T-bar and concealed T-bar ceilings
- I-beam design enhances structural robustness
- Beam angle makes it ideal for general lighting use
- Simple installation, ideal retrofit solution
- Simple design minimises build up of dust for easy maintenance
- Low maintenance and added cost savings
- Part L compliant

APPLICATIONS

- Offices
- Reception areas
- Schools
- Corridors





SPECIFICATION



3500*
LUMENS



50,000*
HOURS



IP20
RATED



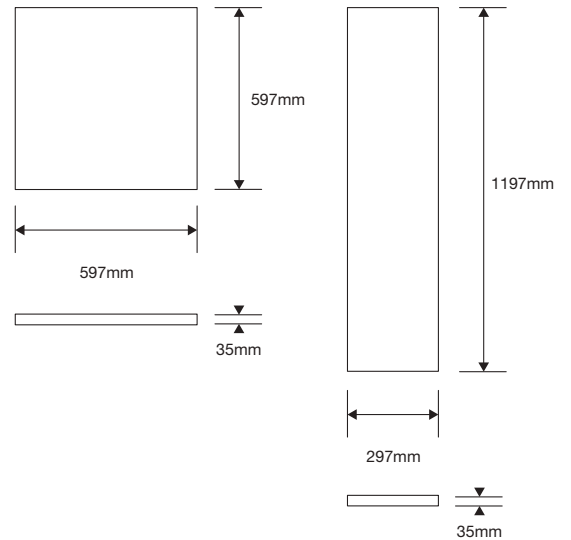
CLASS I
RATED
(Square)



CLASS III
RATED
(Rectangular)

ESTELA RECESSED LED LOUVRE

UK Order Code >	519178	519186
Watts	30W	30W
Colour Temp (K) /CRI	4000 / 80	4000 / 80
Lumens (lm)	3500	3500
Candelas (cd)	2500	2500
Dimmable	N	N
Hrs Lamp Life (L70)	50,000	50,000
Hrs Lamp Life (L90)	25,000	25,000
Beam Angle	90°	90°
Weight (g)	3235	3236
Dimensions (LxWxD mm)	597x597x35	1197x 297x35
Shape	Square	Rectangular

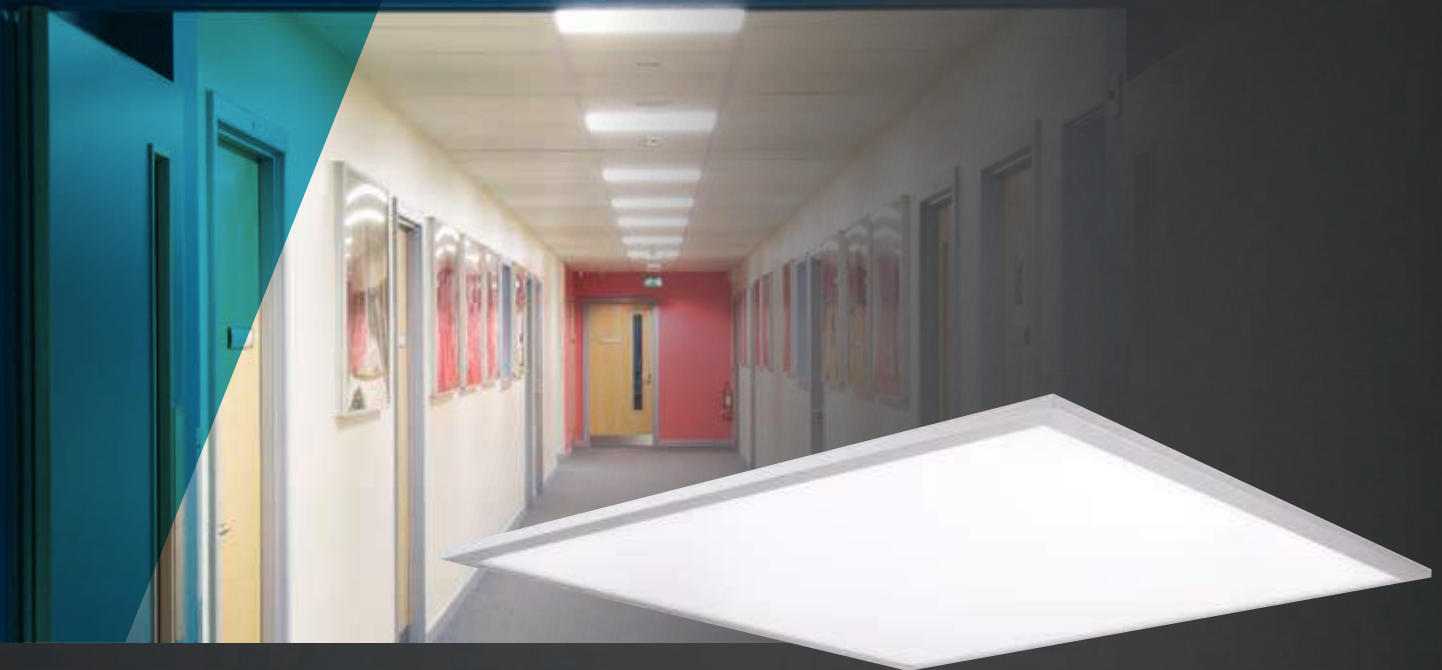


* Maximum output from highest spec lamp/module in range.
 * Lamps are tested to both L70 and L90 standards. Figure represents L70.

BERTO LED PANEL

PART OF THE MEGAMAN FIXTURES RANGE

MEGAMAN®



BERTO

An exceptional LED lay-in fitting for use in high footfall applications where access is limited and maintenance difficult.

FEATURES

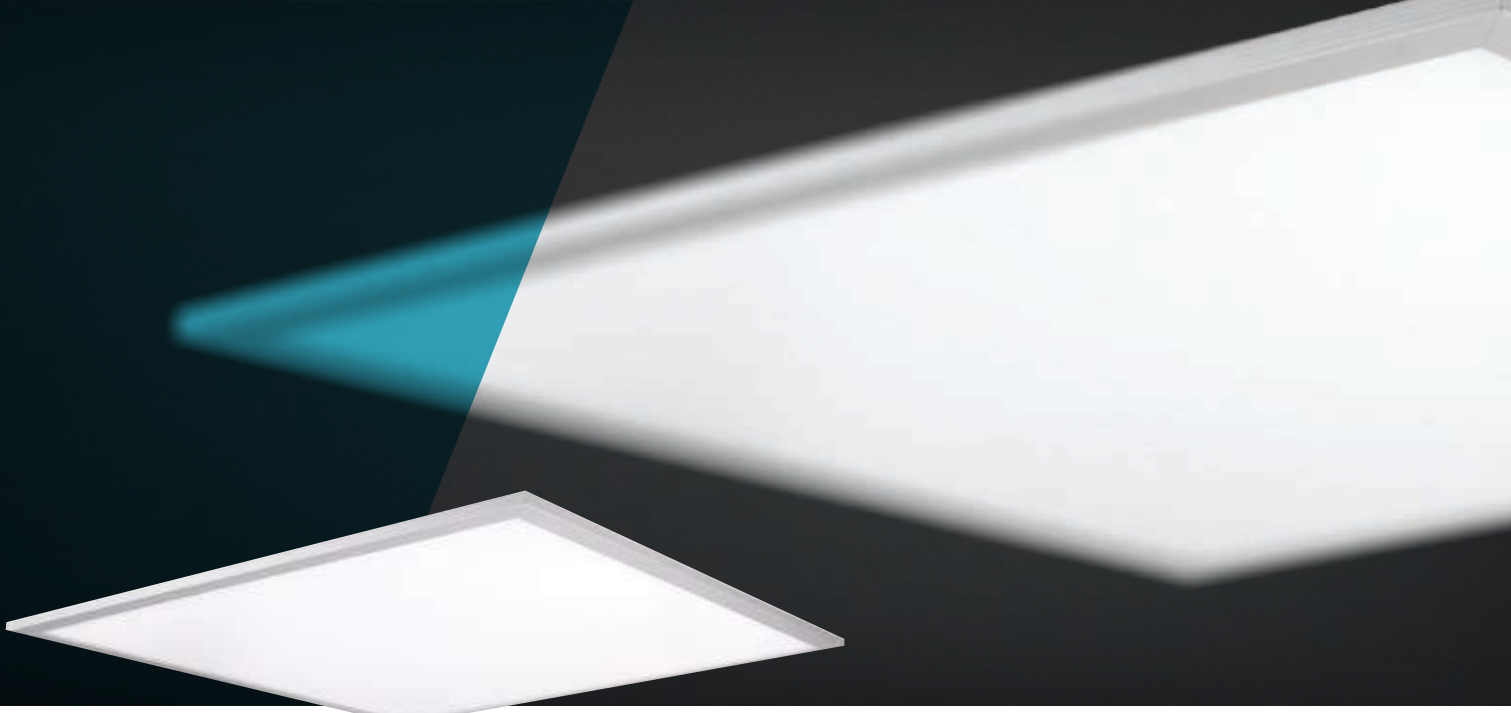
- Ultra slim LED panel
- Available in 44W and 50W square, and 52W rectangular variants (total system power)
- Comes with non dimming driver
- Surface and suspension mounting kits available separately
- 120° beam angle
- L90 at 25,000 hours, 50,000 hours rated life
- Up to 98 lumens per watt efficacy

BENEFITS

- Perfect for shallow ceiling voids
- Direct replacement of 4 x 18W T8 or 3 x 24W T5 fluorescent fittings
- Easy installation and maintenance with wipe free surface
- Flexible installation methods – surface mounted or suspended
- Suitable for use in exposed T-grid ceilings
- Ideal for general lighting use
- Long maintenance period and low lumen depreciation
- Part L compliant

APPLICATIONS

- Shopping Centres
- Retail stores
- Hospitals
- General lighting



SPECIFICATION

5100*
LUMENS

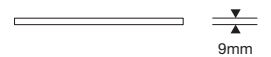
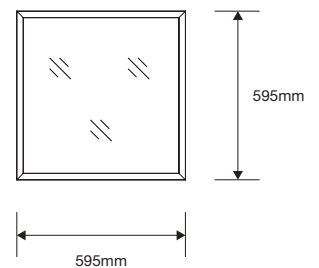
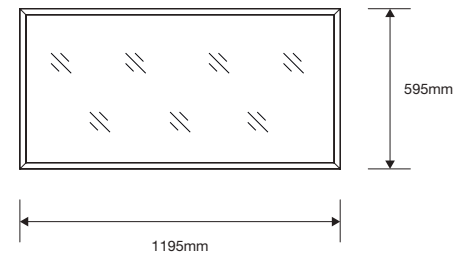
50,000*
HOURS

IP20
RATED

CLASS III
RATED

BERTO LED PANEL

UK Order Code >	130152	130135	130149	130155
Watts	44W	44W	50W	52W
Colour Temp (K) /CRI	3000 / 80	4000 / 80	4000 / 80	4000 / 80
Lumens (lm)	3350	3600	4100	5100
Candelas (cd)	1200	1200	1400	1800
Dimmable	N	N	N	N
Hrs Lamp Life (L70)	50,000	50,000	50,000	50,000
Hrs Lamp Life (L90)	25,000	25,000	25,000	25,000
Beam Angle	120°	120°	120°	120°
Weight (g)	2965	2965	2948	5870
Dimensions (LxWxD mm)	595x595x9	595x595x9	595x595x9	1195x595x9
Shape	Square	Square	Square	Rectangular



ENERGY SAVINGS

	MEGAMAN BERTO	4 X 18W T8 TUBES
Annual running cost	£24.55	£44.19
Annual saving**	£19.64 / 44%	-
Environmental impact saving	140kW / 76kgs CO₂	-

** Savings are calculated on 4638 hours use per annum at 14p kW hr
 † Maximum output from highest spec lamp/module in range.
 * Lamps are tested to both L70 and L90 standards. Figure represents L70.

VERSOFIT FIRE RATED

PART OF THE MEGAMAN FIXTURES RANGE

MEGAMAN®



VERSOFIT



VERSOFIT

The new standard for fire rated LED downlights, a fully integrated yet serviceable LED module.

FEATURES

- Fully integrated LED fire rated downlight with serviceable dimming LED module
- Fixed, tilt and IP65 variants, in warm and cool white colour temperatures
- White, chrome and satin chrome finish options
- Advanced thermal design
- Click connector design and no external driver required
- Unique honeycomb lens design
- Up to 78 lumens per watt
- Fully compliant and certified to BS476 Part 21

BENEFITS

- Serviceable module allows you to upgrade the fixture, or change the colour temperature without having to remove the fixture
- Available in range of finishes and colour temperatures to meet requirements
- Low operating temperatures and therefore extended life
- Click connectors for easy installation
- Honeycomb lens complements the Megaman lamp range, diffuses light and replicates halogen look and feel
- Part L compliant

APPLICATIONS

- Retail lighting
- Social housing
- Offices
- Kitchens
- Bathrooms
- Residential





SPECIFICATION



630*
LUMENS



30,000*
HOURS



IP20
RATED



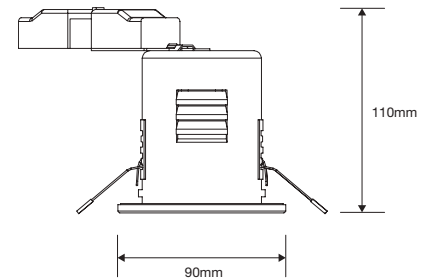
FIRE
RATED



CLASS II
RATED

VERSOFIT FIXED INTEGRATED FIRE RATED LED DOWNLIGHT

UK Order Code >	519406	519728	519607	519315	519160
Watts	8W	8W	8W	8W	8W
Colour Temp (K) /CRI	2800 / 80	4000 / 80	2800 / 80	4000 / 80	2800 / 80
Lumens (lm)	600	630	600	630	600
Candelas (cd)	650	650	650	650	650
Dimmable	Y	Y	Y	Y	Y
Hrs Lamp Life (L70)	30,000	30,000	30,000	30,000	30,000
Beam Angle	36°	36°	36°	36°	36°
Weight (g)	235	235	235	235	235
Dimensions (LxDia mm)	110x90	110x90	110x90	110x90	110x90
Colour/Finish	White	White	Chrome	Chrome	Satin Chrome
Shape	Round	Round	Round	Round	Round
Hole Cut-Out (mm)	71	71	71	71	71
Min Ceiling Depth (mm)	105	105	105	105	105
Suitable Lamps	TECOH® THx	TECOH® THx	TECOH® THx	TECOH® THx	TECOH® THx



Please visit our website for a full list of compatible dimmers - www.megamanuk.com/products/dimming-compatibility

ALSO AVAILABLE



VERSOFIT
TILT

VERSOFIT
IP65

ENERGY SAVINGS

	MEGAMAN 8W VERSOFIT 650LM	50W HALOGEN 500LM
Annual running cost	£4.91	£30.69
Annual saving**	£25.78 / 84%	-
Environmental impact saving	183kW / 100kgs CO ₂	-

** Savings are calculated on 4638 hours use per annum at 14p kW hr
 † Maximum output from highest spec lamp/module in range.
 * Lamps are tested to both L70 and L90 standards. Figure represents L70.

SIENA INTEGRATED DOWNLIGHT

PART OF THE MEGAMAN FIXTURES RANGE

MEGAMAN[®]



SIENA

High performance, easy to install integrated LED downlight range.

FEATURES

- Recessed Integrated downlight available in 12.5W up to 35.5W variants
- Dimming option available
- Range of shapes and sizes
- 90° beam angle
- Warm and Cool white variants
- Integrated driver
- L90 at 25,000 hours, 50,000 hours rated life
- Up to 76 lumens per watt

BENEFITS

- Ideal replacement for conventional 18W or 26W plug-in tube downlights
- Suitable for retrofit into existing ceiling hole cut outs
- Suitable for a range of applications
- Wide beam provides energy savings solutions for general lighting
- Easy installation
- Low maintenance with added cost savings
- Part L compliant

APPLICATIONS

- Retail lighting
- Offices
- Hotels
- Social housing



SPECIFICATION

SIENA INTEGRATED LED DOWNLIGHTS

UK Order Code >	517951	517462	517839	517423	517492	517186	191962	191973
Watts	12.5W	12.5W	20.5W	20.5W	35.5W	35.5W	12.5W	12.5W
Colour Temp (K) /CRI	2800 / 80	4000 / 80	2800 / 80	4000 / 80	2800 / 80	4000 / 80	2800 / 80	4000 / 80
Lumens (lm)	950	950	1560	1560	2700	2700	950	950
Candelas (cd)	510	510	810	810	1420	1420	510	510
Dimmable	N	N	N	N	N	N	N	N
Hrs Lamp Life (L70)	50,000	50,000	50,000	50,000	50,000	50,000	50,000	50,000
Hrs Lamp Life (L90)	25,000	25,000	25,000	25,000	25,000	25,000	25,000	25,000
Beam Angle	90°	90°	90°	90°	90°	90°	90°	90°
Weight (g)	217	217	266	266	447	447	245	245
Dimensions (H x D mm)	84x145 (3")	84x145 (3")	94x172 (4")	94x172 (4")	94x225 (5")	94x225 (5")	84x145 (3")	84x145 (3")
Colour/Finish	White	White	White	White	White	White	White	White
Shape	Round	Round	Round	Round	Round	Round	Square	Square
Hole Cut-Out (mm)	125	125	150	150	200	200	130x130	130x130
Min Ceiling Depth (mm)	91	91	148	148	98	98	89	89



ENERGY SAVINGS

	MEGAMAN 12.5W SIENA	2 X 13W CFL	MEGAMAN 20.5W SIENA	2 X 18W CFL
Annual running cost	£7.67	£15.96	£12.58	£22.09
Annual saving**	£8.29 / 51%	-	£9.51 / 43%	-
Environmental impact saving	59kW / 32kgs CO₂	-	68kW / 37kgs CO₂	-

ALSO AVAILABLE

SIENA 13W
INTEGRATED
LED **DIMMING**
ROUND

SIENA 21.5W
INTEGRATED
LED **DIMMING**
ROUND

** Savings are calculated on 4638 hours use per annum at 14p kW hr
 † Maximum output from highest spec lamp/module in range.
 * Lamps are tested to both L70 and L90 standards. Figure represents L70.

COMPACT SIENA DOWNLIGHT

PART OF THE MEGAMAN FIXTURES RANGE

MEGAMAN®



COMPACT SIENA

Compact, adjustable integrated LED downlights, ideal for limited recess depths.

FEATURES

- Compact recessed Integrated downlight
- Dim to warm technology and dimming options available
- Circular and square variants
- White and silver colour options
- Warm and Cool white variants
- Inventive 360° swivel design
- L90 at 25,000 hours, 50,000 hours rated life
- 81 lumens per watt

BENEFITS

- Ideal replacement for MR16 and GU10 downlights
- 25mm shorter than traditional downlights, ideal for limited recess depths
- Dim to Warm technology- emitting a warmer light when dimmed from 2800K to 1800K, simulating the characteristics of halogen
- Suitable for a range of applications
- Flexibility that allows you to aim the beam angle with pinpoint precision
- Low maintenance and added cost savings
- Part L compliant

APPLICATIONS

- Retail lighting
- Offices
- Hotels
- Residential
- Restaurants
- Hospitality

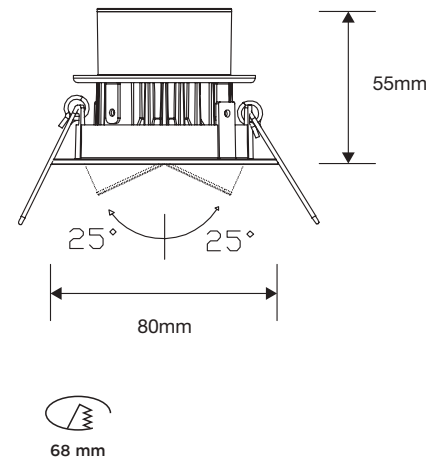


SPECIFICATION



COMPACT SIENA INTEGRATED LED DOWNLIGHTS

UK Order Code >	191406	191617	191761	191704	191831	191849
Watts	8W	8W	8W	8W	8W	8W
Colour Temp (K) /CRI	2800-1800 / 80	2800-1800 / 80	2800 / 80	4000 / 80	2800 / 80	4000 / 80
Lumens (lm)	500	500	650	650	650	650
Candelas (cd)	1800	1800	2000	2000	2000	2000
Dimmable	Y	Y	Y	Y	Y	Y
Hrs Lamp Life (L70)	50,000	50,000	50,000	50,000	50,000	50,000
Hrs Lamp Life (L90)	25,000	25,000	25,000	25,000	25,000	25,000
Beam Angle	36°	36°	36°	36°	36°	36°
Weight (g)	212	212	220	220	220	220
Dimensions (H x D mm)	55x80 (2.5")	55x80 (2.5")	55x80 (2.5")	55x80 (2.5")	55x80 (2.5")	55x80 (2.5")
Colour/Finish	White	Silver	White	White	Silver	Silver
Shape	Round	Round	Square surround	Square surround	Square surround	Square surround
Hole Cut-Out (mm)	68	68	68	68	68	68
Min Ceiling Depth (mm)	53	53	53	53	53	53
Tilt Angle	25°	25°	25°	25°	25°	25°



Please visit our website for a full list of compatible dimmers - www.megamanuk.com/products/compatibility



ENERGY SAVINGS

MEGAMAN 8W SIENA 650LM **50W HALOGEN 500LM**

Annual running cost	£4.91	£30.69
Annual saving**	£25.78 / 84%	-
Environmental impact saving	183kW / 100kgs CO₂	-

** Savings are calculated on 4638 hours use per annum at 14p kW hr
 † Maximum output from highest spec lamp/module in range.
 * Lamps are tested to both L70 and L90 standards. Figure represents L70.

SIENA SR INTEGRATED DOWNLIGHT

PART OF THE MEGAMAN FIXTURES RANGE

MEGAMAN®



SIENA SR

Instant start integrated LED
Specular Reflector Downlight.



FEATURES

- Recessed integrated LED Downlight
- Available in 10.5W, 16.5W and 25.5W IP44 and 13W IP20
- Polycarbonate housing with polished aluminium specular reflector
- Low glare
- U-DIM™ and Dim to Warm variants
- Plug-in connectors
- Light weight
- L90 at 25,000 hours, 50,000 hours rated life
- Up to 105 lumens per watt

BENEFITS

- Ideal replacement for conventional plug-in tube downlights
- Large range of sizes allows retrofit for many traditional downlights in existing ceiling cut-outs
- Specular reflector maximises light throw to the desired point of illumination
- Low glare aluminium reflector offers visual comfort
- U-DIM™ technology offers an enhanced dimming range from 100% down to 5%
- Dim to warm technology – emitting a warmer light when dimmed from 2800K to 1800K, simulating the characteristics of halogen
- No external driver required for quick and easy installation
- Part L compliant

APPLICATIONS

- Offices
- Shopping centres
- Reception areas
- Schools
- General purpose applications

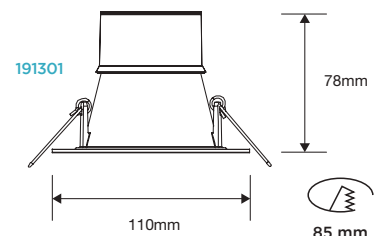
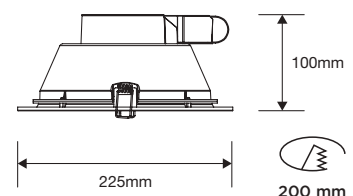
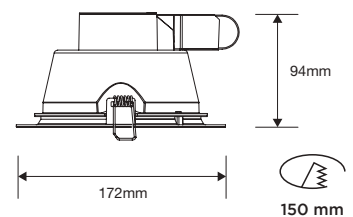
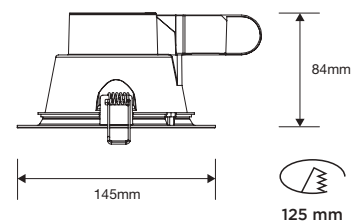


SPECIFICATION

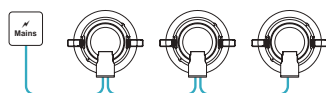


SIENA SR INTEGRATED LED DOWNLIGHT

UK Order Code >	519276	519278	519280	519282	519284	519286	191301
Watts	10.5W	10.5W	16.5W	16.5W	25.5W	25.5W	13W
Colour Temp (K) /CRI	2800 / 80	4000 / 80	2800 / 80	4000 / 80	2800 / 80	4000 / 80	2800-1800 / 80
Lumens (lm)	950	950	1560	1560	2700	2700	900
Candelas (cd)	500	500	850	850	1900	1900	670
Dimmable	Y	Y	Y	Y	N	N	Y
Hrs Lamp Life (L70)	50,000	50,000	50,000	50,000	50,000	50,000	50,000
Hrs Lamp Life (L90)	25,000	25,000	25,000	25,000	25,000	25,000	25,000
Beam Angle	90°	90°	90°	90°	90°	90°	60°
Weight (g)	253	253	337	337	525	525	172
Dimensions (H x D mm)	84x145	84x145	94x172	94x172	100x225	100x225	78x110
Colour/Finish	White	White	White	White	White	White	White
Shape	Round	Round	Round	Round	Round	Round	Round
Hole Cut-Out (mm)	125	125	150	150	200	200	85
Min Ceiling Depth (mm)	85	85	95	95	98	98	84



Terminal box facilitates easy installation, maintenance and through wire looping.



* Maximum output from highest spec lamp/module in range.
 * Lamps are tested to both L70 and L90 standards. Figure represents L70.

SIENA FR INTEGRATED DOWNLIGHT

PART OF THE MEGAMAN FIXTURES RANGE

MEGAMAN®



SIENA FR

Instant start integrated LED
Faceted Reflector Downlight.

FEATURES

- Recessed integrated LED Downlight
- Available in 10.5W, 16.5W and 25.5W
- Polycarbonate housing with faceted aluminium reflector
- Low glare
- U-DIM™ technology
- Plug-in connectors
- Light weight
- L90 at 25,000 hours, 50,000 hours rated life
- Up to 105 lumens per watt

BENEFITS

- Ideal replacement for conventional plug-in tube downlights
- Large range of sizes allows retrofit for many traditional downlights in existing ceiling cut-outs
- Faceted reflector allows for more controlled distribution of light
- Low glare aluminium reflector offers visual comfort
- U-DIM™ technology offers an enhanced dimming range from 100% down to 5%
- No external driver required for quick and easy installation
- Part L compliant

APPLICATIONS

- Offices
- Schools

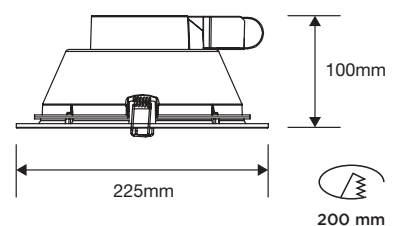
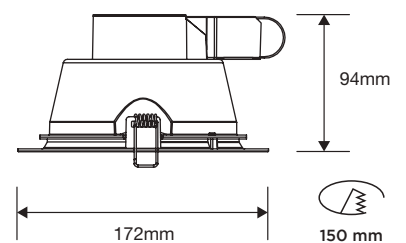
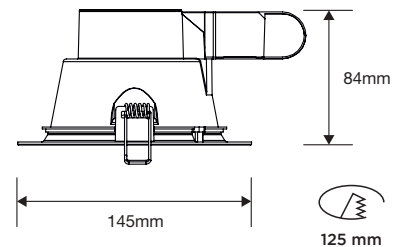


SPECIFICATION

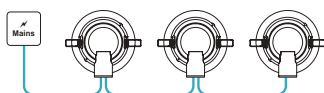


SIENA FR INTEGRATED LED DOWNLIGHT

UK Order Code >	519288	519290	519292	519294	519296	519298
Watts	10.5W	10.5W	16.5W	16.5W	25.5W	25.5W
Colour Temp (K) /CRI	2800 / 80	4000 / 80	2800 / 80	4000 / 80	2800 / 80	4000 / 80
Lumens (lm)	950	950	1560	1560	2700	2700
Candelas (cd)	500	500	850	850	1900	1900
Dimmable	Y	Y	Y	Y	N	N
Hrs Lamp Life (L70)	50,000	50,000	50,000	50,000	50,000	50,000
Hrs Lamp Life (L90)	25,000	25,000	25,000	25,000	25,000	25,000
Beam Angle	90°	90°	90°	90°	90°	90°
Weight (g)	255	255	349	349	530	530
Dimensions (H x D mm)	84x145	84x145	94x172	94x172	100x225	100x225
Colour/Finish	White	White	White	White	White	White
Shape	Round	Round	Round	Round	Round	Round
Hole Cut-Out (mm)	125	125	150	150	200	200
Min Ceiling Depth (mm)	85	85	95	95	98	98



Terminal box facilitates easy installation, maintenance and through wire looping.



* Maximum output from highest spec lamp/module in range.
 * Lamps are tested to both L70 and L90 standards. Figure represents L70.

RICO LED DOWNLIGHT

PART OF THE MEGAMAN FIXTURES RANGE

MEGAMAN®



RICO

High performance ultra slim integrated LED downlight.

FEATURES

- Ultra slim LED downlight, available in 12.5W, 22W and 29W variants
- Available in 145mm (5"), 172mm (7") and 225mm (8") variants
- L90 at 25,000 hours, 50,000 hours rated life
- Driver included
- Up to 76 lumens per watt

BENEFITS

- Perfect alternative to CFL luminaires (1 x 18W up to 2 x 26W)
- Ideal for a ceiling recess with limited depth
- Suitable for small cabinets and furniture lighting where space is severely restricted
- Range of sizes allows retrofit for many traditional downlights in existing ceiling cut-outs
- Low maintenance and added cost savings
- Part L compliant

APPLICATIONS

- Student accommodation
- Social housing
- Retail
- Shopping Centres
- Commercial properties
- Display shelves

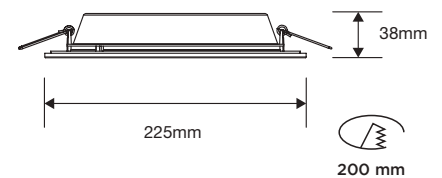
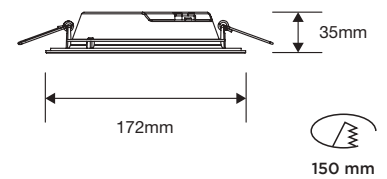
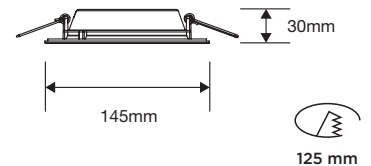


SPECIFICATION



RICO LED INTEGRATED DOWNLIGHT

UK Order Code >	190284	190348	190351	190357	190468	190482
Watts	12.5W	12.5W	22W	22W	29W	29W
Colour Temp (K) /CRI	2800 / 80	4000 / 80	2800 / 80	4000 / 80	2800 / 80	4000 / 80
Lumens (lm)	950	950	1560	1560	2000	2000
Candelas (cd)	370	370	620	620	880	880
Dimmable	N	N	N	N	N	N
Hrs Lamp Life (L70)	50,000	50,000	50,000	50,000	50,000	50,000
Hrs Lamp Life (L90)	25,000	25,000	25,000	25,000	25,000	25,000
Beam Angle	110°	110°	110°	110°	110°	110°
Weight (g)	149	149	200	200	346	346
Dimensions (L x Dia mm)	30x145 (5")	30x145 (5")	35x172 (7")	35x172 (7")	38x225 (8")	38x225 (8")
Colour/Finish	White	White	White	White	White	White
Shape	Round	Round	Round	Round	Round	Round
Hole Cut-Out (mm)	125	125	150	150	200	200
Min Ceiling Depth (mm)	28	28	33	33	35	35



ENERGY SAVINGS

	MEGAMAN 19W RICO	2 X 18W CFL
Annual running cost	£11.66	£22.09
Annual saving**	£10.43 / 47%	-
Environmental impact saving	74kW / 40kgs CO ₂	-

** Savings are calculated on 4638 hours use per annum at 14p kW hr
 † Maximum output from highest spec lamp/module in range.
 * Lamps are tested to both L70 and L90 standards. Figure represents L70.

COMPACT RICO LED DOWNLIGHT

PART OF THE MEGAMAN FIXTURES RANGE

MEGAMAN®



COMPACT RICO

Compact, adjustable LED Downlight, ideal for limited recess depths.

FEATURES

- Ultra slim recessed downlight
- New hybrid reflector lens
- U-DIM™ technology
- Dim to Warm technology available
- Rich Colour technology available
- L90 at 25,000 hours, 50,000 hours rated life
- Up to 100 lumens per watt

BENEFITS

- Perfect replacement for discreet applications
- Ideal for a ceiling recess with limited depth
- Hybrid reflector lens delivers excellent beam control and less spill light
- U-DIM™ technology offers an enhanced dimming range from 100% down to 5%
- Dim to warm technology – emitting a warmer light when dimmed from 2800K to 1800K, simulating the characteristics of halogen
- Rich Colour technology – maximises the richness and quality of colours with high colour rendering of up to Ra95 – perfect choice for food and other display lighting
- Part L compliant

APPLICATIONS

- Hotels
- Residential
- Restaurants
- Hospitality
- Discreet lighting



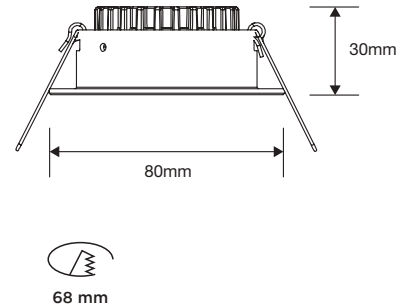


SPECIFICATION



COMPACT RICO LED INTEGRATED DOWNLIGHT

UK Order Code >	190288	190290	190484	190292	190294	190488
Watts	6.5W	6.5W	6.5W	9W	9W	9W
Colour Temp (K) /CRI	2800 / 80	4000 / 80	2800-1800 / 80	2800 / 80	4000 / 80	2800 / 95
Lumens (lm)	500	500	500	900	900	700
Candelas (cd)	1100	1100	1100	2400	2400	1650
Dimmable	Y	Y	Y	Y	Y	Y
Hrs Lamp Life (L70)	50,000	50,000	50,000	50,000	50,000	50,000
Hrs Lamp Life (L90)	25,000	25,000	25,000	25,000	25,000	25,000
Beam Angle	36°	36°	36°	36°	36°	36°
Weight (g)	117	117	117	117	117	117
Dimensions (H x D mm)	30x80	30x80	30x80	30x80	30x80	30x80
Colour/Finish	White	White	White	White	White	White
Shape	Round	Round	Round	Round	Round	Round
Hole Cut-Out (mm)	68	68	68	68	68	68
Min Ceiling Depth (mm)	68	68	68	68	68	68
Tilt Angle	25°	25°	25°	25°	25°	25°



Megaman recommends the **190985** 350MA driver, sold separately.

Please visit our website for a full list of compatible dimmers - www.megamanuk.com/products/dimming-compatibility



Megaman recommends the **190987** 500MA driver, sold separately.

Please visit our website for a full list of compatible dimmers - www.megamanuk.com/products/dimming-compatibility



† Maximum output from highest spec lamp/module in range.
 * Lamps are tested to both L70 and L90 standards. Figure represents L70.

ZEKI 50MM MULTI-HEAD GIMBAL

PART OF THE MEGAMAN FIXTURES RANGE

MEGAMAN®



ZEKI 50MM

Modular frame luminaire for multi-directional tilting.

FEATURES

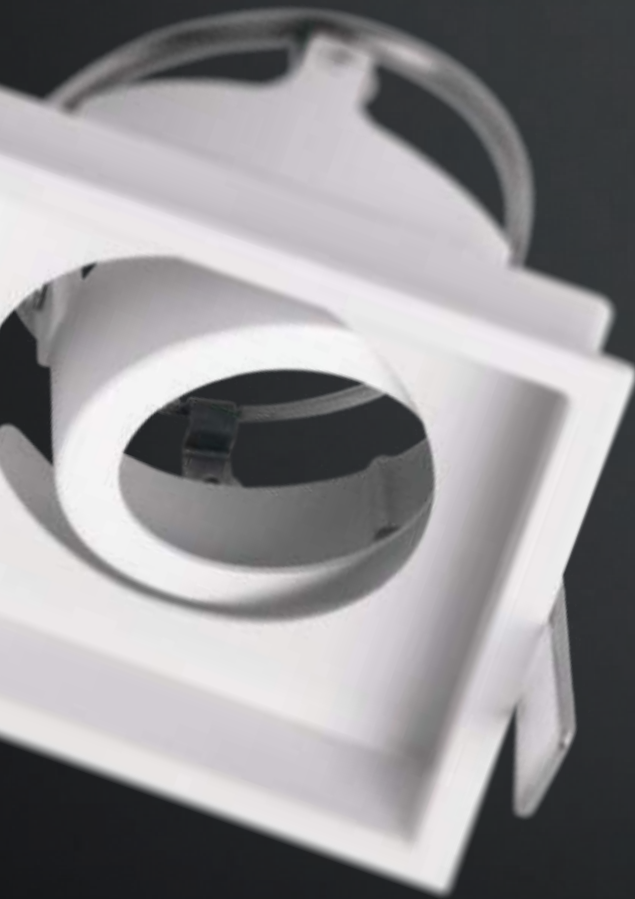
- Works with serviceable 10.5W TECOH® THx LED light engine, sold separately
- TECOH® THX available in 2800K and 4000K and 24° and 36° beam angles
- Gimbal construction
- Available in 1, 2 and 3 head frame options
- L90 at 25,000 hours, 50,000 hours rated life
- Up to 85 lumens per watt

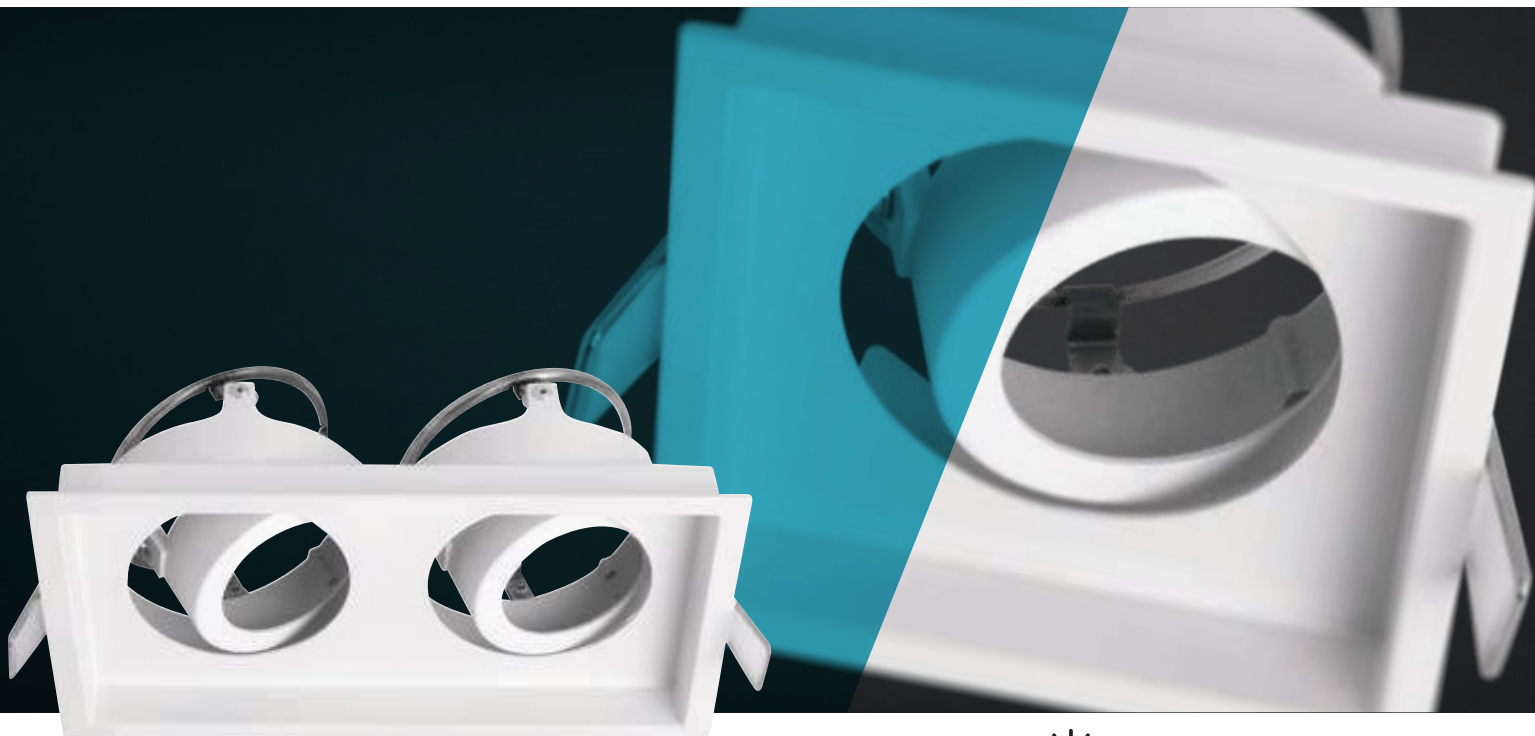
BENEFITS

- Perfect replacement for halogen PAR16 GU10 downlights
- Multi directional tilting and focus
- Modular system enables different combinations of lighting optics for flexible lighting design
- Part L compliant

APPLICATIONS

- Retail
- Window displays
- Galleries
- Museums





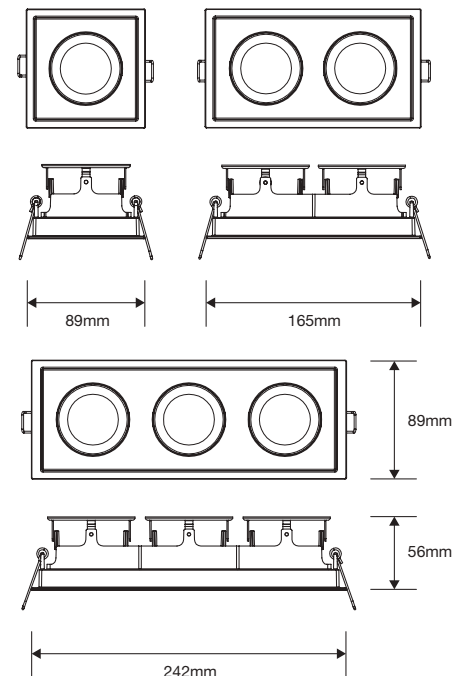
SPECIFICATION



ZEKI 50MM MULTI-HEAD GIMBAL DOWNLIGHT

UK Order Code >	131744	131746	131748
Watts	For 1 x 10.5W TECOH® THx	For 2 x 10.5W TECOH® THx	For 3 x 10.5W TECOH® THx
Colour Temp (K) /CRI	Available in 2800K and 4000K	Available in 2800K and 4000K	Available in 2800K and 4000K
Lumens (lm)	900	900	900
Candelas (cd)	3500 (24°) 1900 (36°)	3500 (24°) 1900 (36°)	3500 (24°) 1900 (36°)
Dimmable	N	N	N
Hrs Lamp Life (L70)	25,000	25,000	25,000
Beam Angle	Available in 24° and 36°	Available in 24° and 36°	Available in 24° and 36°
Weight (g)	105	191	260
Dimensions (LxWxH mm)	89x89x56 (H=90 with THx)	165x89x56 (H=90 with THx)	242x89x56 (H=90 with THx)
Colour/Finish	White	White	White
Shape	Square surround	Rectangular surround	Rectangular surround
Hole Cut-Out (mm)	83 x 83	159 x 83	236 x 83
Min Ceiling Depth (mm)	94	94	94
Tilt Angle	19°	19°	19°
Suitable Light Source	TECOH® THx	TECOH® THx	TECOH® THx

Purchase TECOH® THx separately - **131750** (2800K/24°) and **131752** (4000K/24°) or **131754** (2800K/36°) and **131756** (4000K/36°).



MEGAMAN® Zeki 50mm



ALSO AVAILABLE



35W 111mm Zeki



† Maximum output from highest spec lamp/module in range.
 * Lamps are tested to both L70 and L90 standards. Figure represents L70.

ZEKI 111MM MULTI-HEAD GIMBAL

PART OF THE MEGAMAN FIXTURES RANGE

MEGAMAN®



ZEKI 111MM

Modular frame luminaire for multi-directional tilting.

FEATURES

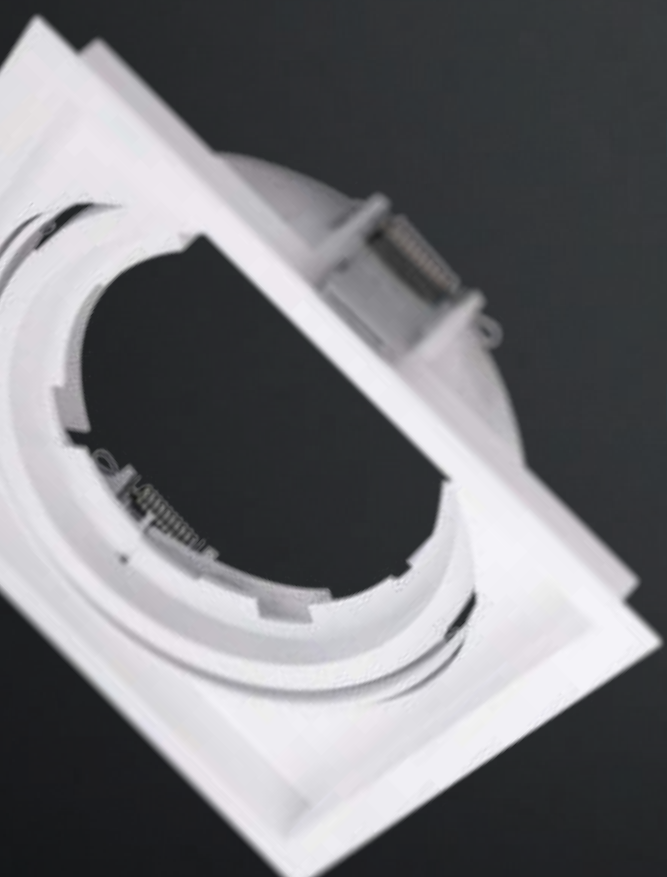
- Works with serviceable 35W TECOH® THx LED module, sold separately
- TECOH® THX available in 3000K and 4000K and 24° and 45° beam angles
- Gimbal construction
- Available in 1, 2 and 3 head frame options
- L90 at 25,000 hours, 50,000 hours rated life
- Up to 91 lumens per watt

BENEFITS

- Perfect replacement for metal halide and halogen AR111 downlights
- Multi directional tilting and focus
- Modular system enables different combinations of lighting optics for flexible lighting design
- Part L compliant

APPLICATIONS

- Retail
- Window displays
- Galleries
- Museums





SPECIFICATION



3200*
LUMENS



50,000*
HOURS



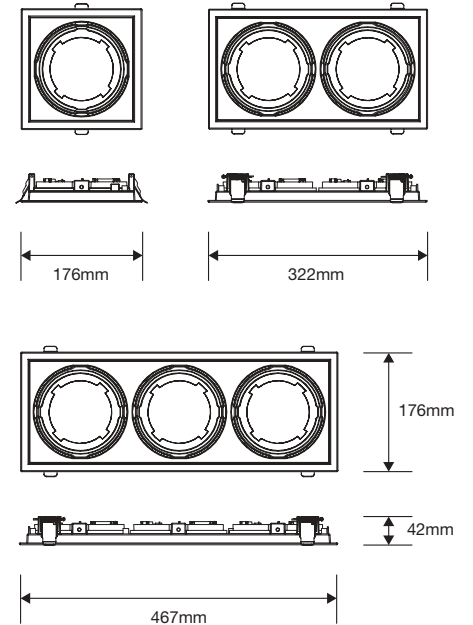
IP23
RATED



CLASS II
RATED

ZEKI 111MM MULTI-HEAD GIMBAL DOWNLIGHT

UK Order Code >	131734	131736	131738
Watts	For 1 x 35W TECOH® THx	For 2 x 35W TECOH® THx	For 3 x 35W TECOH® THx
Colour Temp (K) /CRI	Available in 3000K and 4000K	Available in 3000K and 4000K	Available in 3000K and 4000K
Lumens (lm)	3200	3200	3200
Candelas (cd)	16300 (24°) 7100 (45°)	16300 (24°) 7100 (45°)	16300 (24°) 7100 (45°)
Dimmable	Y	Y	Y
Hrs Lamp Life (L70)	50,000	50,000	50,000
Hrs Lamp Life (L90)	25,000	25,000	25,000
Beam Angle	Available in 24° and 45°	Available in 24° and 45°	Available in 24° and 45°
Weight (g)	280	526	830
Dimensions (LxWxH mm)	176x176x42 (H=101 with THx)	322x176x42 (H=101 with THx)	467x176x42 (H=101 with THx)
Colour/Finish	White	White	White
Shape	Square surround	Rectangular surround	Rectangular surround
Hole Cut-Out (mm)	160 x 160	306 x 160	452 x 160
Min Ceiling Depth (mm)	130	130	130
Tilt Angle	45°	30°	30°
Suitable Light Source	TECOH® THx	TECOH® THx	TECOH® THx



Purchase TECOH® THx separately - **131740** (3000K/24°) and **131742** (4000K/24°) or **131758** (3000K/45°) and **131760** (4000K/45°). Megaman recommends the **171905** non-dimming driver for 35W TECOH® THx, sold separately.



MEGAMAN® Zeki 111mm



160x160
mm



306x160
mm



452x160
mm

* Maximum output from highest spec lamp/module in range.
* Lamps are tested to both L70 and L90 standards. Figure represents L70.

LUSTER-LED HIGH BAY

PART OF THE MEGAMAN FIXTURES RANGE

MEGAMAN®



LUSTER-LED

An IP65 high bay fixture with integrated LED and built-in driver.

FEATURES

- Aluminium housing with integrated LED and heat sink, and built-in driver
- 65W, 110W and 210W options
- IP65 rated
- 210W version can be used at ambient temperatures of 50°C
- Aluminium or polycarbonate reflector sold separately
- Optional glass or polycarbonate cover sold separately
- L90 at 25,000 hours, 50,000 hours rated life
- Up to 110 lumens per watt

BENEFITS

- Offers huge reduction in power consumption compared to its metal halide alternatives
- Range of product variants and optional accessories offer flexibility for different LUX requirements
- Instant high-quality light ideal for use in large indoor and outdoor areas
- 210W version perfect for extreme applications such as roof top of a production factory
- Optional covers available for added protection
- Part L compliant

APPLICATIONS

- High-ceilings
- Warehouses
- Manufacturing bays
- Exhibition halls





UP TO
21000*
LUMENS

50,000*
HOURS

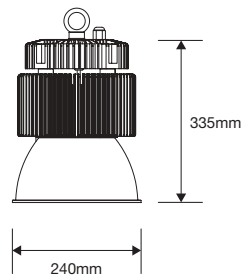
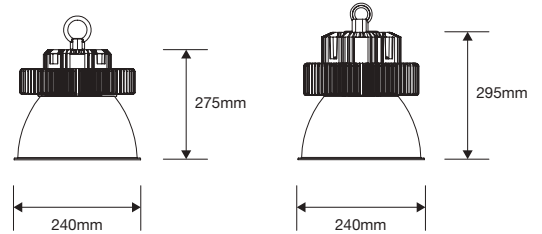
IP65
RATED

CLASS I
RATED

SPECIFICATION

LUSTER-LED HIGH BAY

UK Order Code >	190670	190675	190677
Watts	65W	110W	210W
Colour Temp (K) /CRI	4000 / 80	4000 / 80	4000 / 80
Lumens (lm)	7200	11000	21000
Candelas (cd)			
- Aluminium reflector	4500	6500	14000
- Plastic reflector	8500	12000	20000
Dimmable	N	N	N
Hrs Lamp Life (L70)	50,000	50,000	50,000
Hrs Lamp Life (L90)	25,000	25,000	25,000
Beam Angle			
- Aluminium reflector	90°	90°	90°
- Plastic reflector	60°	60°	60°
Weight (g)	3260	4260	6897
Dimensions (H x D mm)			
- Aluminium reflector	275x240	295x240	355x240
- Plastic reflector	318x335	318x355	318x415
Colour/Finish	Black	Black	Black



Note:
Dimensions stated here represent the use of aluminium reflectors

Purchase reflector and optional cover separately.



ALSO AVAILABLE



Reflectors



Optional covers

* Maximum output from highest spec lamp/module in range.
* Lamps are tested to both L70 and L90 standards. Figure represents L70.

CARLO LED DOWNLIGHT

PART OF THE MEGAMAN FIXTURES RANGE

MEGAMAN®



CARLO

Megaman's scoop fitting solution, perfect for retail applications.

FEATURES

- Recessed, adjustable downlight for Megaman TECOH® RDx module
- Perfect White technology available
- Available in white and silver variants
- Ultra flexible 45° tilting angle and 355° rotation angle
- TECOH® RDx and driver included
- Low glare
- L90 at 25,000 hours, 50,000 hours rated life
- Up to 152 lumens per watt

BENEFITS

- Ideal alternative to halogen and metal halide lighting in retail applications offering up to 4500 lumens
- Perfect White option intensifies and brightens the white colour
- Stylish design, available in white or silver to match your requirements
- Ability to target the beam angle and focus the light output
- Visual comfort
- Long life means low maintenance and added cost savings
- Part L compliant

APPLICATIONS

- Retail lighting
- Museums and showrooms
- Supermarkets
- Display lighting applications

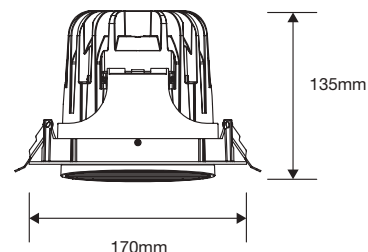


SPECIFICATION



CARLO LED DOWNLIGHT

UK Order Code >	703049	703081	703047	703051	131724
Watts	39W	39W	27W	39W	34W
Colour Temp (K) /CRI	3000 / 82	3000 / 82	4000 / 82	4000 / 82	3000 / 82
Lumens (lm)	3600	3600	3400	4500	2400
Candelas (cd)	7500	7500	5200	7500	5500
Dimmable	N	N	N	N	Y
Hrs Lamp Life (L70)	50,000	50,000	50,000	50,000	50,000
Hrs Lamp Life (L90)	25,000	25,000	25,000	25,000	25,000
Beam Angle	35°	35°	35°	35°	35°
Weight (g)	1065	1065	1065	1065	1065
Dimensions (H x D mm)	135x170	135x170	135x170	135x170	135x170
Colour/Finish	White	Silver	White	White	White
Shape	Round	Round	Round	Round	Round
Hole Cut-Out (mm)	155	155	155	155	155
Min Ceiling Depth (mm)	145	145	145	145	145
Tilt Angle	45°	45°	45°	45°	45°
Rotation	355°	355°	355°	355°	355°
Suitable Light Source	TECOH® RDx	TECOH® RDx	TECOH® RDx	TECOH® RDx	TECOH® RDx



ENERGY SAVINGS

	MEGAMAN CARLO 39W RDX 4100LM	50W TCH METAL HALIDE 3000LM
Annual running cost	£23.05	£33.63
Annual saving**	£9.78 / 29%	-
Environmental impact saving	70kW / 38kgs CO ₂	-

** Savings are calculated on 4638 hours use per annum at 14p kW hr
 † Maximum output from highest spec lamp/module in range.
 * Lamps are tested to both L70 and L90 standards. Figure represents L70.

VITO LED DOWNLIGHT

PART OF THE MEGAMAN FIXTURES RANGE

MEGAMAN®



VITO

A dynamic retail downlight offering incredible light output, stability and thermal management.

FEATURES

- Recessed, adjustable downlight for Megaman TECOH® RDx module
- Perfect White technology available
- Gimbal construction
- Die-cast aluminium housing available in white and silver variants
- Standard cut-out sizes
- Advanced thermal design
- TECOH® RDx and driver included
- L90 at 25,000 hours, 50,000 hours rated life
- Up to 91 lumens per watt

BENEFITS

- Ideal replacement for metal halide lamps up to 70W, offering up to 5100 lumens
- Perfect White option intensifies and brightens the white colour
- Multi directional tilting and focus
- Stylish design, available in white or silver to match your requirements
- Easy installation, with standard cut-outs
- Design offers incredible thermal management - lowers operating temperatures and extends life
- Energy saving solution for retail applications providing long life
- Part L compliant

APPLICATIONS

- Retail lighting
- Museums
- Showrooms
- Shopping Centres

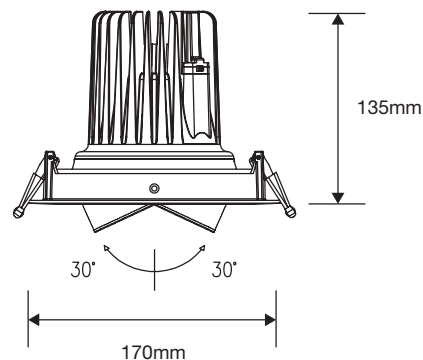


SPECIFICATION



VITO LED DOWNLIGHT

UK Order Code >	703460	703750	131516
Watts	45W	45W	45W
Colour Temp (K) /CRI	3000 / 82	3000 / 82	3000 / 82
Lumens (lm)	4100	4100	4100
Candelas (cd)	9000	9000	7000
Dimmable	N	N	Y
Hrs Lamp Life (L70)	50,000	50,000	50,000
Hrs Lamp Life (L90)	25,000	25,000	25,000
Beam Angle	35°	35°	35°
Weight (g)	1042	1042	1045
Dimensions (H x D mm)	135x170	135x170	135x170
Colour/Finish	White	Silver	White
Shape	Round	Round	Round
Hole Cut-Out (mm)	155	155	155
Min Ceiling Depth (mm)	133	133	133
Tilt Angle	30°	30°	30°
Suitable Light Source	TECOH® RDx	TECOH® RDx	TECOH® RDx



ENERGY SAVINGS

	MEGAMAN VITO 60W RDX 5100LM	70W METAL HALIDE 4300LM
Annual running cost	£36.82	£47.26
Annual saving**	£10.43 / 22%	-
Environmental impact saving	74kW / 40kgs CO ₂	-

** Savings are calculated on 4638 hours use per annum at 14p kW hr
 † Maximum output from highest spec lamp/module in range.
 * Lamps are tested to both L70 and L90 standards. Figure represents L70.

GENOA LED DOWNLIGHT

PART OF THE MEGAMAN FIXTURES RANGE

MEGAMAN®



GENOA

Simple, timeless design with complete flexibility and a wide variety of module options.



FEATURES

- Recessed downlight for Megaman TECOH® CFx light engine
- Mains voltage 30W dimming and 15W and 26W non dimming TECOH® CFx options sold separately
- Die-cast aluminium body with aluminium reflector
- Wide beam optics of 90°
- Up to 80 lumens per watt

BENEFITS

- Direct replacement for 2 x 13W and 2 x 18W plug-in CFL tube downlights
- One body with three module options for flexibility in lighting designs
- Easy installation, no external driver required
- Low glare aluminium reflector
- Wide beam provides energy saving solution for general lighting
- Part L compliant

APPLICATIONS

- Retail lighting
- Hotels
- Offices
- Corridors
- Shopping Centres

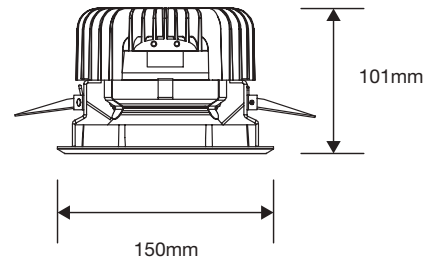


SPECIFICATION



GENOA LED DOWNLIGHT

UK Order Code >	703240
Weight (g)	800
Dimensions (H x D mm)	101x150
Colour/Finish	White
Shape	Round
Hole Cut-Out (mm)	140
Min Ceiling Depth (mm)	98
Suitable Light Source	TECOH® CFx



TECOH® CFx MODULE OPTIONS

UK Order Code >	170762	170735	170469	170286	170851	170839
Watts	15	15	26	26	30	30
Colour Temp (K) / CRI	2800 / 80	4000 / 80	2800 / 80	4000 / 80	2800 / 80	4000 / 80
Lumens (lm)	1200	1200	2000	2000	1800	2000
Dimmable	N	N	N	N	Y	Y



ENERGY SAVINGS

	MEGAMAN GENOA 15W CFx	2 X 26W CFL
Annual running cost	£9.21	£31.91
Annual saving**	£22.71 / 71%	-
Environmental impact saving	162kW / 88kgs CO₂	-

** Savings are calculated on 4638 hours use per annum at 14p kW hr
 † Maximum output from highest spec lamp/module in range.
 * Lamps are tested to both L70 and L90 standards. Figure represents L70.

ABBY PIN-HOLE DOWNLIGHT

PART OF THE MEGAMAN FIXTURES RANGE

MEGAMAN®



ABBY

Fully recessed pin-hole downlight for accent lighting.

FEATURES

- Works with serviceable 10.5W TECOH® THx LED light engine, sold separately
- TECOH® THX available in 2800K and 4000K and 24°/36° beam angles
- Fully recessed downlight with black baffle
- Pin-hole design
- Available in fixed or 30° tilt options
- L90 at 25,000 hours, 50,000 hours rated life
- Up to 85 lumens per watt

BENEFITS

- Perfect replacement for halogen MR16/GU10 downlights
- Design makes it perfect for dramatic accent lighting
- Perfect for highlighting an object with precision
- 30° tilt angle perfect for wall wash applications
- Black baffle offers no glare
- Part L compliant

APPLICATIONS

- Retail
- Window displays
- Galleries
- Museums





SPECIFICATION



900*
LUMENS



25,000*
HOURS



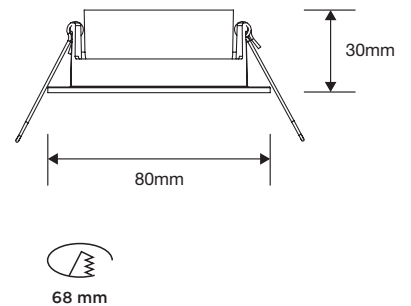
IP23
RATED



CLASS II
RATED

ABBY PIN-HOLE LED DOWNLIGHT

UK Order Code >	190651	190653
Watts	For 10.5W THx	For 10.5W THx
Colour Temp (K) /CRI	Available in 2800K and 4000K	Available in 2800K and 4000K
Lumens (lm)	900	900
Candelas (cd)	3500 (24°) 1900 (36°)	3500 (24°) 1900 (36°)
Dimmable	N	N
Hrs Lamp Life (L70)	25,000	25,000
Beam Angle	Available in 24° and 36°	Available in 24° and 36°
Weight (g)	44	43
Dimensions (H x D mm)	30x80 (H=95 with THx)	30x80 (H=95 with THx)
Colour/Finish	White	White
Shape	Fixed	Adjustable
Hole Cut-Out (mm)	68	68
Min Ceiling Depth (mm)	93	96
Tilt Angle	-	30°
Suitable Light Source	TECOH® THx	TECOH® THx



Purchase TECOH® THx separately -
131750 (2800K/24°) and
131752 (4000K/24°)
 or **131754** (2800K/36°) and
131756 (4000K/36°).



* Maximum output from highest spec lamp/module in range.
 * Lamps are tested to both L70 and L90 standards. Figure represents L70.

CORTONA FLOOD LIGHT

PART OF THE MEGAMAN FIXTURES RANGE

MEGAMAN®



CORTONA

Energy saving floodlight with PIR sensor for security use.

FEATURES

- Floodlight for Megaman TECOH® CFx light engine
- Mains voltage 30W dimming and 15W and 26W non dimming TECOH® CFx options sold separately
- Twist-lock lamp holder design
- PIR technology
- IP54 protection
- Aluminium alloy body
- Up to 66 lumens per watt

BENEFITS

- Ideal replacement for halogen or metal halide applications
- One body with three module options for flexibility
- Easy installation, no external driver required
- Fast fit for easy installation and maintenance
- PIR mode allows for security lighting, can be switched off to provide permanent 'on' mode
- Suitable for outdoor applications with low corrosion body
- Part L compliant

APPLICATIONS

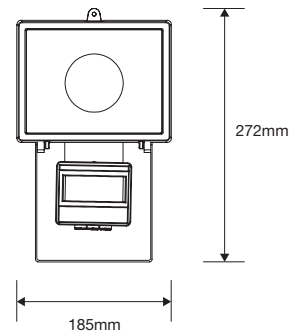
- Gardens
- Garages
- Signage
- Gate areas
- Pillar Facades



SPECIFICATION

CORTONA LED FLOODLIGHT AND PIR - FOR TECOH® CFX

UK Order Code >	703294
Weight (g)	1357
Dimensions (WxHxD mm)	185x118x272
Colour/Finish	Black
Tilt Angle	115°
Suitable Lamps	TECOH® CFX



TECOH® CFX MODULE OPTIONS

UK Order Code >	170762	170735	170469	170286	170851	170839
Watts	15	15	26	26	30	30
Colour Temp (K) / CRI	2800 / 80	4000 / 80	2800 / 80	4000 / 80	2800 / 80	4000 / 80
Lumens (lm)	1200	1200	2000	2000	1800	2000
Dimmable	N	N	N	N	Y	Y



ENERGY SAVINGS

	MEGAMAN TECOH 30W CFX	70W SON
Annual running cost	£18.41	£47.26
Annual saving**	£28.84 / 61%	-
Environmental impact saving	205kW / 112kgs CO₂	-

** Savings are calculated on 4638 hours use per annum at 14p kW hr
 † Maximum output from highest spec lamp/module in range.
 * Lamps are tested to both L70 and L90 standards. Figure represents L70.

VERONA DOWNLIGHT

PART OF THE MEGAMAN FIXTURES RANGE

MEGAMAN®



VERONA

Fixed pin-hole design for accent lighting and discreet illumination effects.

FEATURES

- For PAR16 GU10 reflectors
- Fully recessed, discreet downlight with black baffle
- Pin-hole design
- Available in fixed or 30° tilt options
- Available in black or white

BENEFITS

- Suitable downlight solution for Megaman LED GU10s
- Design makes it perfect for dramatic accent lighting
- Perfect for highlighting an object with precision
- 30° tilt angle perfect for wall wash applications
- Black baffle offers no glare

APPLICATIONS

- Retail
- Window displays
- Galleries
- Museums

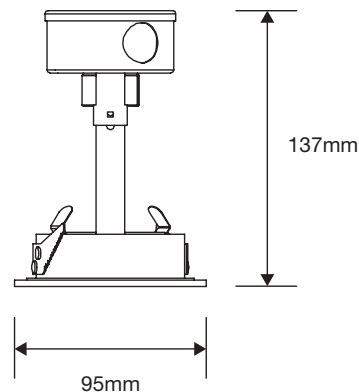


SPECIFICATION



VERONA DOWNLIGHT - FIXTURE ONLY

UK Order Code >	190649	190624	190645
Weight (g)	245	245	245
Dimensions (H x D mm)	137x95	137x95	137x95
Colour/Finish	White	Black	White
Shape	Round	Round	Oval
Hole Cut-Out (mm)	85	85	85
Min Ceiling Depth (mm)	135	135	135
Tilt Angle	-	-	30°
Suitable Lamps	4, 5, 5.5, 6 or 7W GU10	4, 5, 5.5, 6 or 7W GU10	4, 5, 5.5, 6 or 7W GU10



Suitable Megaman GU10's - 4W, 5W, 5.5W, 6W and 7W. (sold separately)



ENERGY SAVINGS

	MEGAMAN 6W LED GU10	50W HALOGEN GU10
Annual running cost	£3.68	£30.69
Annual saving**	£27 / 88%	-
Environmental impact saving	192kW / 105kgs CO ₂	-

** Savings are calculated on 4638 hours use per annum at 14p kW hr
 † Maximum output from highest spec lamp/module in range.
 * Lamps are tested to both L70 and L90 standards. Figure represents L70.

MIRO DOWNLIGHT

PART OF THE MEGAMAN FIXTURES RANGE

MEGAMAN®



MIRO

Stunning GU10 downlight with a stylish visible profile on the ceiling to make a design statement.

FEATURES

- For PAR16 GU10 reflectors
- Fully recessed downlight
- 30° tilting angle
- Matt silver finish

BENEFITS

- Suitable downlight solution for Megaman LED GU10s
- Superior body design and construction
- Adjustable tilting for precision lighting
- Stylish luminaire body

APPLICATIONS

- Retail
- Hotels
- Corridors
- Reception areas
- Bars
- Restaurants



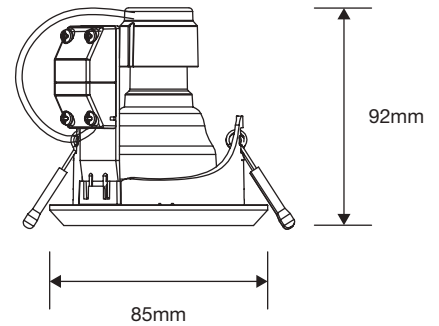


SPECIFICATION



MIRO DOWNLIGHT - FIXTURE ONLY

UK Order Code >	190375
Weight (g)	70
Dimensions (H x D mm)	92x85
Colour/Finish	Silver
Shape	Round
Hole Cut-Out (mm)	75
Min Ceiling Depth (mm)	84
Tilt Angle	30°
Suitable Lamps	4, 5, 5.5, 6 or 7W GU10



Suitable Megaman GU10's - 4W, 5W, 5.5W, 6W and 7W. (sold separately)



ENERGY SAVINGS

	MEGAMAN 6W LED GU10	50W HALOGEN GU10
Annual running cost	£3.68	£30.69
Annual saving**	£27 / 88%	-
Environmental impact saving	192kW / 105kgs CO ₂	-

** Savings are calculated on 4638 hours use per annum at 14p kW hr
 † Maximum output from highest spec lamp/module in range.
 * Lamps are tested to both L70 and L90 standards. Figure represents L70.

LUCCA DOWNLIGHT

PART OF THE MEGAMAN FIXTURES RANGE

MEGAMAN®



LUCCA

Simple, functional, reliable downlight.

FEATURES

- For PAR16 GU10 reflectors
- Fully recessed downlight
- 30° tilting angle
- Die-cast aluminium body in white finish

BENEFITS

- Suitable downlight solution for Megaman LED GU10s
- Superior body design and construction
- Adjustable tilting for precision lighting
- Stylish luminaire body

APPLICATIONS

- Retail
- Hotels
- Corridors
- Reception areas
- Bars
- Restaurants



SPECIFICATION

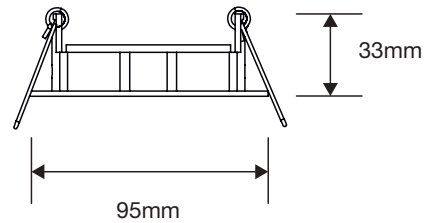
GU10
SUITABLE FOR

IP20
RATED

CLASS II
RATED

LUCCA DOWNLIGHT - FIXTURE ONLY

UK Order Code >	190275
Weight (g)	75
Dimensions (H x D mm)	33x95
Colour/Finish	White
Shape	Round
Hole Cut-Out (mm)	85
Min Ceiling Depth (mm)	90
Tilt Angle	30°
Suitable Lamps	4, 5, 5.5, 6 or 7W GU10



Suitable Megaman GU10's - 4W, 5W, 5.5W, 6W and 7W. (sold separately)

ENERGY SAVINGS

	MEGAMAN 6W LED GU10	50W HALOGEN GU10
Annual running cost	£3.68	£30.69
Annual saving**	£27 / 88%	-
Environmental impact saving	192kW / 105kgs CO₂	-

** Savings are calculated on 4638 hours use per annum at 14p kW hr
 † Maximum output from highest spec lamp/module in range.
 * Lamps are tested to both L70 and L90 standards. Figure represents L70.

MOSAIC TRACK LIGHT

PART OF THE MEGAMAN FIXTURES RANGE

MEGAMAN®



MOSAIC

A contemporary and simple design for use with a variety of PAR16 lamp formats.

FEATURES

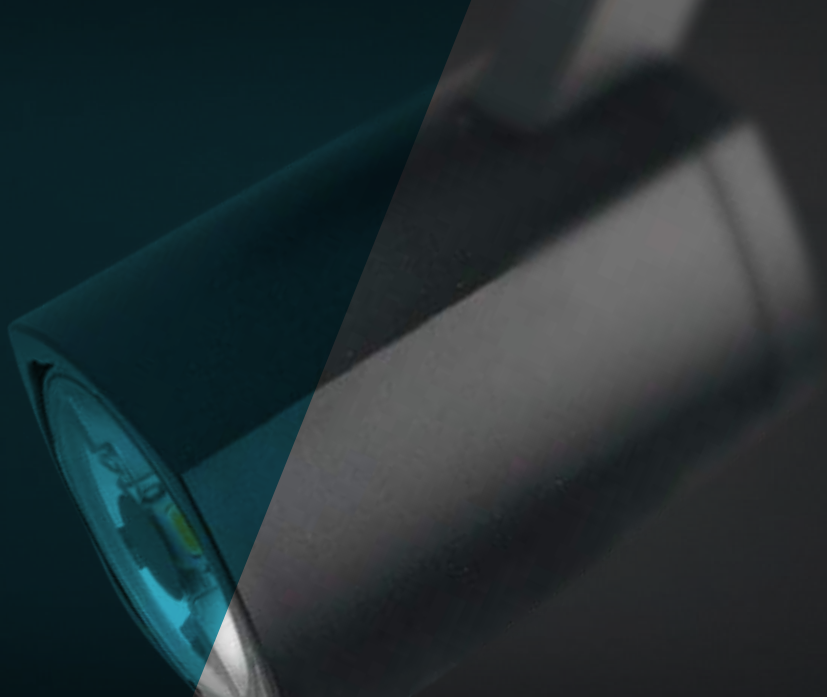
- For PAR16 GU10 reflectors
- 3 circuit track light solution
- Adjustable arm gives 330° rotation and 90° tilt
- Available in black or white finish
- Low glare

BENEFITS

- Stylish track light solution for Megaman LED GU10s
- Comes with 3 circuit track adaptor as standard for easy installation
- Flexible adjustable arm for multi-directional and accent lighting
- Sleek and modern style available in black or white finish to match track
- Visual comfort

APPLICATIONS

- Retail lighting
- Hotels
- Museums and galleries
- Showrooms
- Window displays

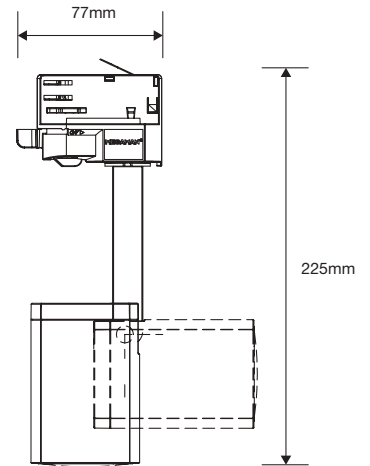


SPECIFICATION



MOSAIC TRACK LIGHT - FIXTURE ONLY

UK Order Code >	190516	190460
Weight (g)	161	161
Dimensions (H x D mm)	225x77	225x77
Colour/Finish	White	Black
Tilt Angle	90°	90°
Rotation	330°	330°
Suitable Lamps	4, 5, 5.5, 6 or 7W GU10	4, 5, 5.5, 6 or 7W GU10



Suitable Megaman GU10's - 4W, 5W, 5.5W, 6W and 7W. (sold separately)

ENERGY SAVINGS

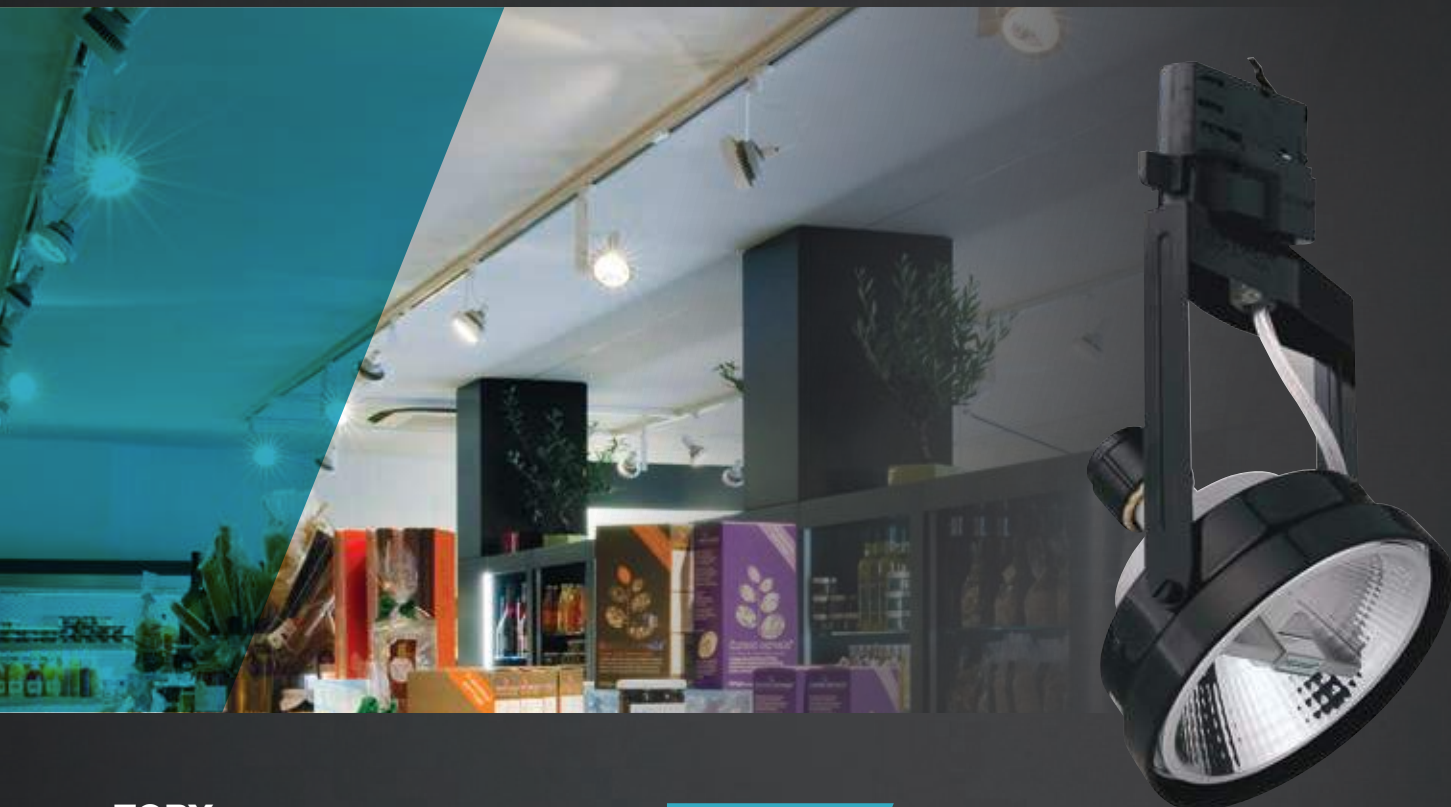
	MEGAMAN 6W LED GU10	50W HALOGEN GU10
Annual running cost	£3.68	£30.69
Annual saving**	£27.01 / 88%	-
Environmental impact saving	192kW / 105kgs CO ₂	-

** Savings are calculated on 4638 hours use per annum at 14p kW hr

TOBY TRACK LIGHT

PART OF THE MEGAMAN FIXTURES RANGE

MEGAMAN®



TOBY

Timeless design utilising the ever popular AR111 GU10 mains voltage lamp.

FEATURES

- For mains powered AR111 GU10 reflectors
- 3 circuit track light solution
- Adjustable arm gives 340° rotation and 170° tilt
- Available in black or white finish
- Modern open back design
- Glass cover on Megaman AR111 lamp

BENEFITS

- Stylish track light solution for Megaman LED AR111s
- Fit and forget lamps, no tools required to change lamps – perfect for retail stores with no lamp maintenance contract
- Ideal replacement for conventional halogen applications
- Comes with 3 circuit track adaptor as standard for easy installation
- Flexible adjustable arm for multi-directional lighting
- Sleek and modern style available in black or white finish to match track
- Open back design allows for additional heat dissipation
- Megaman glass cover lamp design eliminates spider and dust ingress

APPLICATIONS

- Retail lighting
- Museums
- Galleries
- Reception areas



SPECIFICATION

TOBY TRACK LIGHT - FIXTURE ONLY

UK Order Code >	190490	190763
Weight (g)	237	237
Dimensions (L x Dia mm)	210x117	210x117
Colour/Finish	White	Black
Tilt Angle	170°	170°
Rotation	340°	340°
Suitable Lamps	AR111 GU10	AR111 GU10

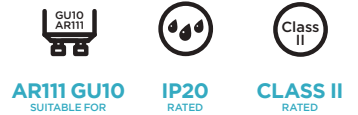


Suitable Megaman AR111 GU10 - 15W. (sold separately)

ENERGY SAVINGS

	MEGAMAN 15W LED GU10 AR111	75W HALOGEN GU10 AR111
Annual running cost	£9.21	£46.03
Annual saving**	£36.82 / 80%	-
Environmental impact saving	262kW / 143kgs CO ₂	-

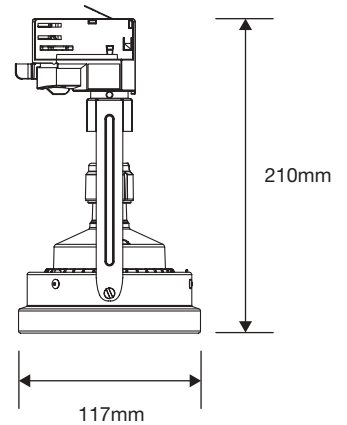
** Savings are calculated on 4638 hours use per annum at 14p kW hr



AR111 GU10
SUITABLE FOR

IP20
RATED

CLASS II
RATED



ALDA TRACK LIGHT

PART OF THE MEGAMAN FIXTURES RANGE

MEGAMAN®



ALDA

A contemporary take on the Megaman Modena fitting, utilising a mains voltage AR111 GU10.

FEATURES

- For mains powered AR111 GU10 reflectors
- 3 circuit track light solution
- Adjustable arm gives 330° rotation and 90° tilt
- Available in black or white finish
- Glass cover on Megaman AR111 lamp

BENEFITS

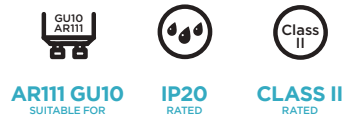
- Stylish track light solution for Megaman LED AR111s
- Fit and forget lamps, no tools required to change lamps - perfect for retail stores with no lamp maintenance contract
- Ideal replacement for conventional halogen applications
- Comes with 3 circuit track adaptor as standard for easy installation
- Flexible adjustable arm for multi-directional lighting
- Stylish die-cast aluminium finish available in black or white finish to match track
- Megaman glass cover lamp design eliminates spider and dust ingress

APPLICATIONS

- Retail lighting
- Hotels
- Museums
- Showrooms

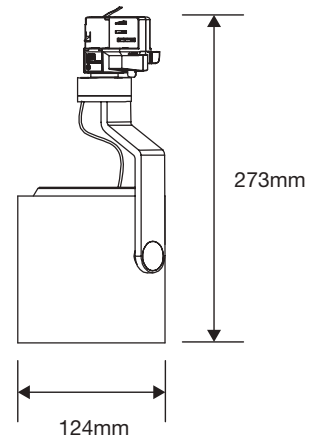


SPECIFICATION



ALDA TRACK LIGHT - FIXTURE ONLY

UK Order Code >	190852	190724
Weight (g)	540	540
Dimensions (H x D mm)	273x124	273x124
Colour/Finish	White	Black
Tilt Angle	90°	90°
Rotation	330°	330°
Suitable Lamps	AR111 GU10	AR111 GU10



Suitable Megaman AR111 GU10 - 15W. (sold separately)

ENERGY SAVINGS

	MEGAMAN 15W LED GU10 AR111	75W HALOGEN GU10 AR111
Annual running cost	£9.21	£46.03
Annual saving**	£36.82 / 80%	-
Environmental impact saving	262kW / 143kgs CO ₂	-

MODENA TRACK LIGHT

PART OF THE MEGAMAN FIXTURES RANGE

MEGAMAN®



MODENA

A stylish, versatile and classic design offering discreet lighting with a number of LED module options and outputs.

FEATURES

- 3 circuit track light solution with TECOH® RDx or MHx module
- Perfect White technology and dimming options available
- Precision engineered adjustable arm gives 330° rotation and 90° tilt
- 25° or 45° beam reflectors sold separately
- L90 at 25,000 hours, 50,000 hours rated life
- Robust body contains driver - TECOH® RDx and driver included (MHx sold separately)
- Robust engineering design
- Available in black or white
- Glass cover
- Up to 104 lumens per watt

APPLICATIONS

- Retail lighting
- Window displays
- Restaurants
- Hotels
- Museums and galleries
- Showrooms

BENEFITS

- Ideal replacement for metal halide with superior colour stability and significantly lower lumen depreciation
- Megaman TECOH® RDx and MHx modules available covering outputs of 2200 to 4400 lumens
- Perfect White option intensifies and brightens the white colour, perfect for retail lighting
- Multi directional tilting and focus
- Additional reflectors allow medium to narrow beam optics for accent lighting effects
- Energy saving solution for retail applications providing long life
- Robust body design allows for easy installation
- Design prevents weight induced drop and keeps focus on objects
- Classic design available in black or white finish to match track
- Glass cover design eliminates spider and dust ingress
- Part L compliant



SPECIFICATION



4100*
LUMENS



50,000*
HOURS



IP20
RATED



CLASS II
RATED

50W TECOH® RDX SPECIFICATION

MODENA TRACK LIGHT

UK Order Code >	170437	170468	703491	703516	131537	131527
Watts	For 24W MHx	For 24W MHx	55W	55W	29	53
Colour Temp (K) /CRI	Available in 3000K & 4000K	Available in 3000K & 4000K	3000 / 82	3000 / 82	3000 / 82	3000 / 82
Lumens (lm)	2300 (3000K) 2500 (4000K)	2300 (3000K) 2500 (4000K)	4100	4100	1650	3100
Candelas (cd)	4050	4050	12000	12000	5300	13000
Dimmable	Y	Y	N	N	Y	Y
Hrs Lamp Life (L70)	50,000	50,000	50,000	50,000	50,000	50,000
Beam Angle	35°	35°	25°	25°	25°	25°
Weight (g)	1552	1552	1908 (Luminaire only)	1908 (Luminaire only)	956	1829
Dimensions (LxWxD mm)	219x165x110	219x165x110	219x165x110	219x165x110	199x127x80	219x165x110
Colour/Finish	Black	White	White	Black	White	White
Tilt Angle	90°	90°	90°	90°	90°	90°
Rotation	330°	330°	330°	330°	330°	330°
Suitable Light Source	TECOH® MHx	TECOH® MHx	TECOH® RDX	TECOH® RDX	TECOH® RDX	TECOH® RDX

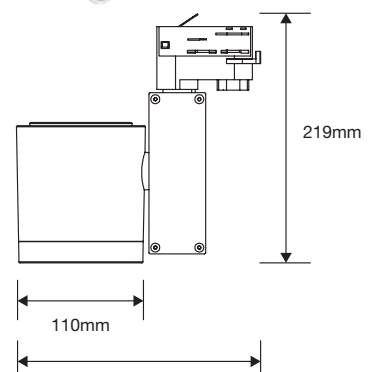


ENERGY SAVINGS

MEGAMAN MODENA 50W TECOH® RDX

70W METAL HALIDE

Annual running cost	£30.69	£47.28
Annual saving**	£16.57 / 35%	-
Environmental impact saving	118kW / 64kgs CO₂	-



** Savings are calculated on 4638 hours use per annum at 14p kW hr
 † Maximum output from highest spec lamp/module in range.
 * Lamps are tested to both L70 and L90 standards. Figure represents L70.

TRACK 3-CIRCUIT SYSTEM

PART OF THE MEGAMAN FIXTURES RANGE

MEGAMAN®



TRACK

A high quality three circuit display lighting solution with ageless appeal and simple proven functionality and reliability.

FEATURES

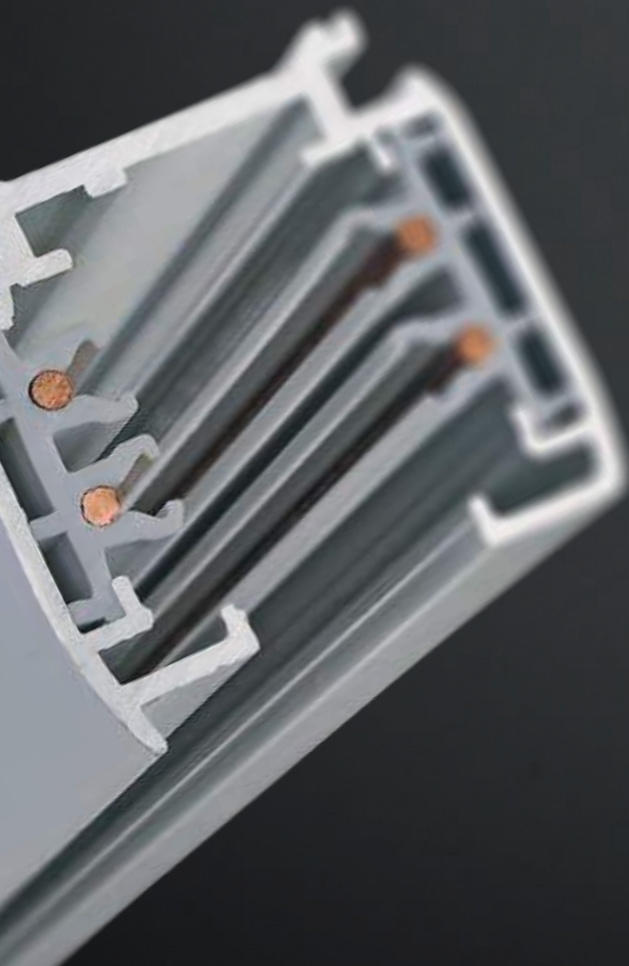
- 3 circuit surface mounted track, 230V 16A
- Tough aluminium profile in 1m and 2m lengths
- Universal track configuration
- Available in black and white
- Accessories including flexible joints, couplers and connectors sold separately

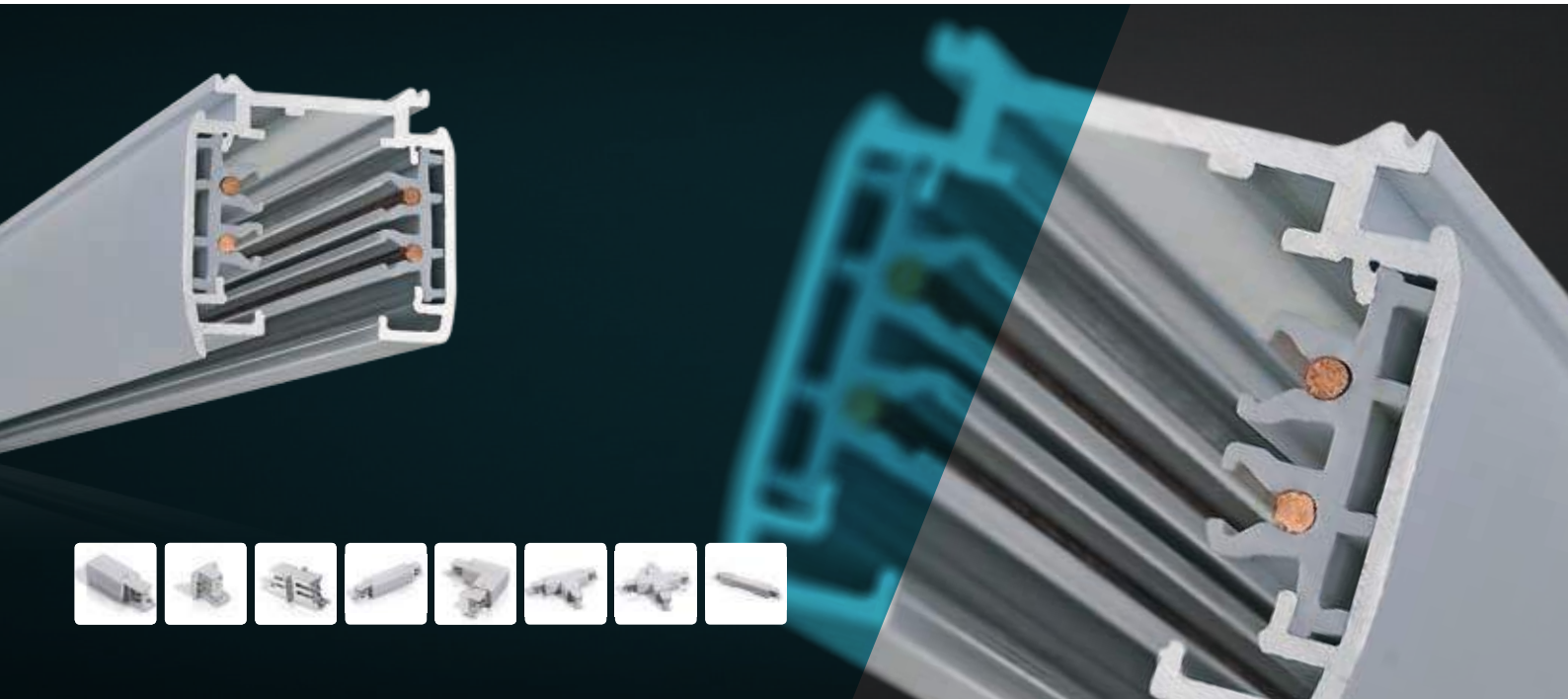
BENEFITS

- 3 circuits allow for multiple scene setting options to create varied effects
- Suitable for wide variety of Megaman track spots utilising LED lamps or innovative, high performance modules
- 3800W loading potential across 3 circuits
- Extensive range of accessories allows for versatility and limitless design options, can add or remove track spots easily as required
- Can be surface mounted, suspended or recessed

APPLICATIONS

- Retail lighting
- Museums and galleries
- Showrooms
- Exhibitions

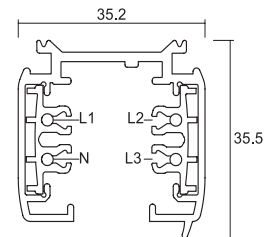




SPECIFICATION

3-CIRCUIT TRACK SYSTEM - SURFACE MOUNTING LENGTHS

UK Order Code >	161001	161003	161004	161006
Colour	White	Black	White	Black
Length (mm)	1000	1000	2000	2000



3-CIRCUIT TRACK SYSTEM - ACCESSORIES

<p>LIVE END CONNECTOR LEFT FEED Order Codes: White: 161011 / Black: 161013</p>	<p>STRAIGHT ELECTRICAL-MECHANICAL COUPLER Order Codes: White: 161026 / Black: 161028</p>	<p>T-COUPLER RIGHT OUTSIDE Order Codes: White: 161041 / Black: 161043</p>
<p>LIVE END CONNECTOR RIGHT FEED Order Codes: White: 161014 / Black: 161016</p>	<p>L-COUPLER LEFT Order Codes: White: 161029 / Black: 161031</p>	<p>T-COUPLER RIGHT INSIDE Order Codes: White: 161044 / Black: 161046</p>
<p>END CAP Order Codes: White: 161017 / Black: 161019</p>	<p>L-COUPLER RIGHT Order Codes: White: 161032 / Black: 161034</p>	<p>X COUPLER Order Codes: White: 161047 / Black: 161049</p>
<p>MECHANICAL COUPLER Order Codes: White: 161020 / Black: 161022</p>	<p>T-COUPLER LEFT OUTSIDE Order Codes: White: 161035 / Black: 161037</p>	<p>FLEXIBLE COUPLER Order Codes: White: 161050 / Black: 161052</p>
<p>MECHANICAL INSULATED COUPLER Order Codes: White: 161023 / Black: 161025</p>	<p>T-COUPLER LEFT INSIDE Order Codes: White: 161038 / Black: 161040</p>	<p>CEILING WALL MOUNTING KIT Order Codes: White: 161053 / Black: 161055</p>
<p>SUSPENSION KIT Order Codes: White: 161056 / Black: 161058</p>		



PICTURED:
COMPACT SIENA
(ROUND)



All information stated is correct at the time of printing and subject to change without prior notice.

© MEGAMAN® (UK) LTD
NOVEMBER 2016

MEGAMAN®

THE FIXTURE RANGE

2016/17



Megaman (UK) Limited
Megaman House
2 Quadrant Park
Mundells
Welwyn Garden City
Herts AL7 1FS

T: +44 (0)1707 386000
F: +44 (0)1707 386001
E: sales@megamanuk.com
W: www.megamanuk.com



Follow us
@megamanukltd

© MEGAMAN® (UK) LTD NOVEMBER 2016



Scan to view
all the fixtures
on our website