

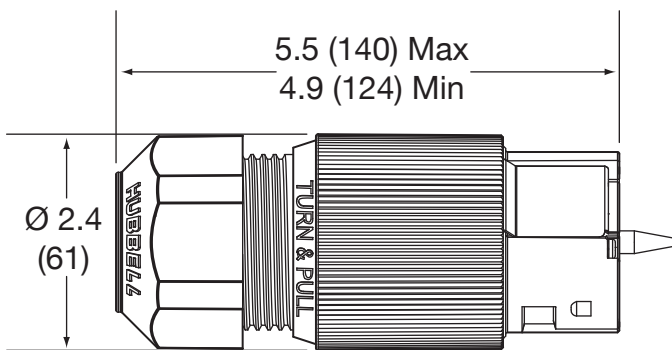
HUBBELL-PRO 50A LOCKING CONNECTORS

**KEY FEATURES:**

- Screw-less strain relief
- Ratcheting strain relief nut
- Socket head termination screws
- Cable compatible layout



**DIMENSIONS**



**CS6364L**

**LISTINGS**

- UL Standard 498
- CSA Standard C22.2 No. 42
- PSE (CS8364LCR)
- RoHS Compliant

**CORD RANGE**

- #8 AWG. - #4 AWG  
.830 in. - 1.250 in. (21.08 mm - 31.75 mm)

**PERFORMANCE**

- Flammability: V2 or better
- Operating Temperature:
  - Max. continuous 60°C;
  - Min. -40°C without impact

**ENVIRONMENTAL**

- NEMA Type 1
- IP20

**MATERIALS**

Part	Description
Housing	Nylon, black
Assembly Screws	Steel, Zinc
Terminal Screw	Steel, Tin Plate
Terminal Box	Aluminum, Tin Plate
Blades	Brass

**ACCESSORIES**

- Boot **HBL7717L**

Config.	Rating	Pole/Wire	Catalog Number
	50A 125/250V AC	3P 4W Grounding	<b>CS6364L</b>
	50A 3Ø 250V AC	3P 4W Grounding	<b>CS8364L</b> <b>CS8364LCR</b> (Corrosion Resistant)
	50A 250V AC	2P 3W Grounding	<b>CS8264L</b>