

product specifications for:  
**GROUP 5<sup>®</sup> Stage Pins**

**Item #: G60M**

**Description**

60A 125V Male Stage Pin with a Set Screw Connection

**Electrical Specifications**

Max. Amperage: 60A

Max. Voltage: 125V

**Cable Range:**

#6 SC Single Conductor Cable or

#6/3 or #8/3 Type W Multiconductor Cable

**Material Specifications**

Housing Material: Phenolic

Contact Material: Brass

Temperature Rating: -20°C to 130°C

**Mechanical Specification**

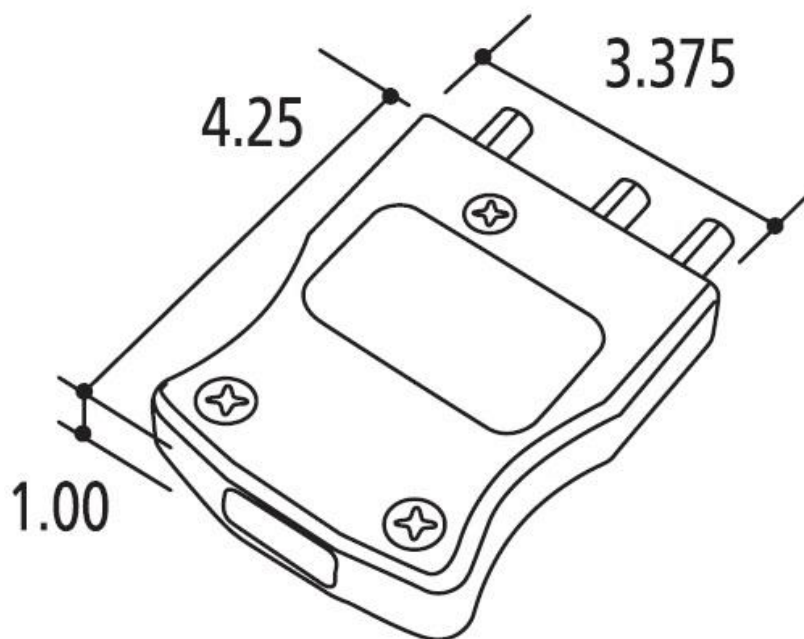
Gender: Male

Connection Type: Double Set Screw



**Standards and Certifications**

UL Listed: File E111732



product specifications for:  
**GROUP 5<sup>®</sup> Stage Pins**

**Item #: G100M**

**Description**

100A 125V Male Stage Pin with a Set Screw Connection

**Electrical Specifications**

Max. Amperage: 100A

Max. Voltage: 125V

**Cable Range:**

#2 or #4 SC Single Conductor Cable or  
#4/3 or #6/3 Type W Multiconductor Cable

**Material Specifications**

Housing Material: Phenolic

Contact Material: Brass

Temperature Rating: -20°C to 130°C

**Mechanical Specification**

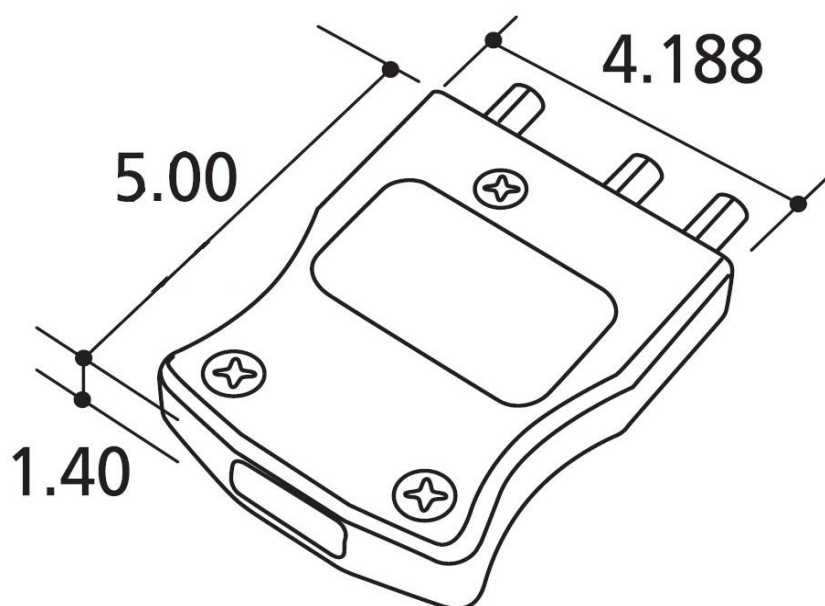
Gender: Male

Connection Type: Double Set Screw



**Standards and Certifications**

UL Listed: File E111732



product specifications for:  
**GROUP 5<sup>®</sup> Stage Pins**

**Item #: G100F**

**Description**

100A 125V Female Stage Pin with a Set Screw Connection

**Electrical Specifications**

Max. Amperage: 100A

Max. Voltage: 125V

**Cable Range:**

#2 or #4 SC Single Conductor Cable or  
#4/3 or #6/3 Type W Multiconductor Cable

**Material Specifications**

Housing Material: Phenolic

Contact Material: Brass

Temperature Rating: -20°C to 130°C

**Mechanical Specification**

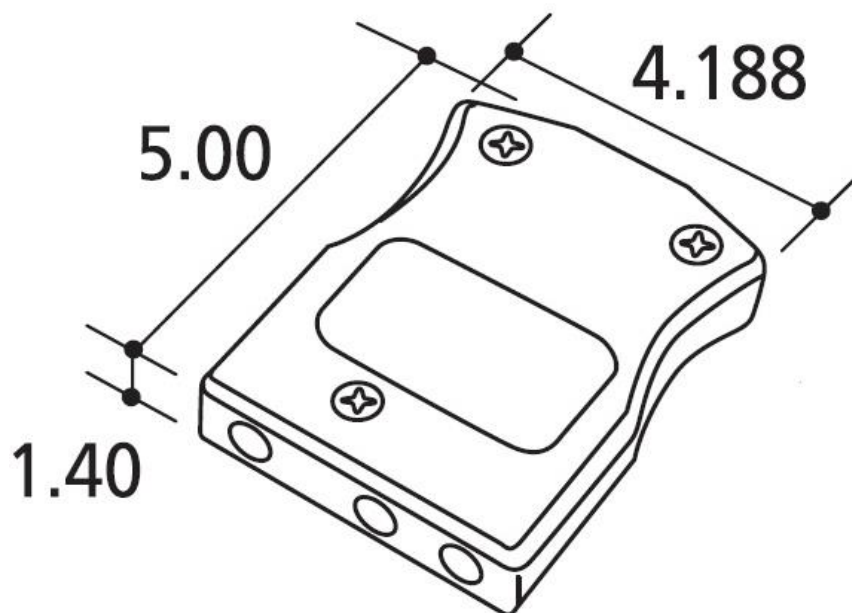
Gender: Female

Connection Type: Double Set Screw



**Standards and Certifications**

UL Listed: File E111732



product specifications for:  
**GROUP 5<sup>®</sup> Stage Pins**

**Item #: G60F**

**Description**

60A 125V Female Stage Pin with a Set Screw Connection

**Electrical Specifications**

Max. Amperage: 60A

Max. Voltage: 125V

**Cable Range:**

#6 SC Single Conductor Cable or

#6/3 or #8/3 Type W Multiconductor Cable

**Material Specifications**

Housing Material: Phenolic

Contact Material: Brass

Temperature Rating: -20°C to 130°C

**Mechanical Specification**

Gender: Female

Connection Type: Double Set Screw



**Standards and Certifications**

UL Listed: File E111732

