

# AXEL LIGHTS™

Installation Guide



# Contents

- 5**    **Getting Started**
- 6**    Top Diagram
- 7**    Bottom Diagram
  
- 9**    **Attaching Lights**
  
- 13**   **Attaching Brackets**
- 14**   Standard Bracket
- 16**   Boosted Bracket
- 18**   Step Bracket
- 20**   Single Bracket

**23 Case Replacement**

**27 Other Information**

**28** Safety Tips

**29** Return Policy

**30** Warranty

# Thank you for purchasing ShredLights!

Please read this guide to get started. If you still have questions, please contact: [support@shredlights.com](mailto:support@shredlights.com)

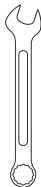
Suggested tools to aid in installation:



Phillips Screw Driver



1/8 in Allen Wrench  
(Boosted Board)



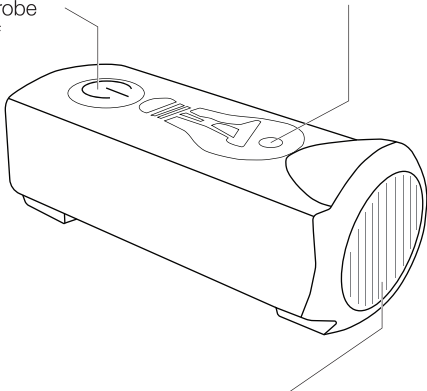
3/8 in Combo Wrench

## Power button

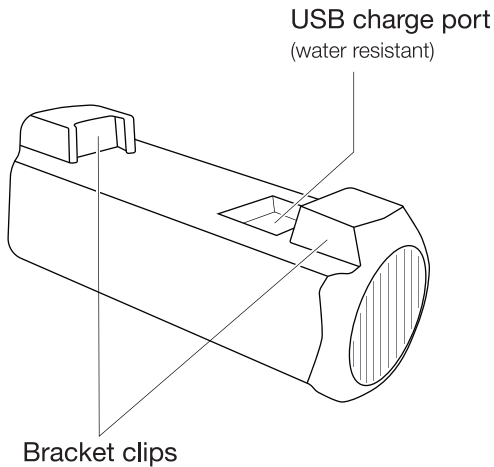
1st: high beam  
2nd: low beam  
3rd: strobe  
4th: off

## Charge status light

Red: charging  
Green: complete



## Wide angle lens





***Pro Tip:*** Always attach and remove the lights by pushing from the front.



***Did you know?*** The lights can be attached to the bracket backwards for an underglow look.



# 1

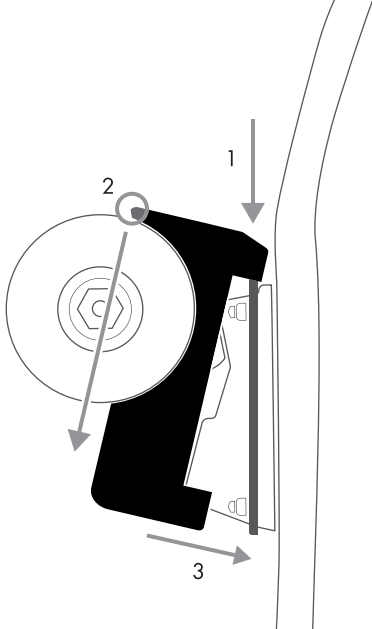
## Attaching Lights

This section shows how ShredLights are attached to the brackets. Please make sure brackets are mounted to a board before attaching the lights.

1. Place the front bracket clip of the light over the front of the bracket.
2. Push the top of the light lens directly back, causing the casing to stretch.
3. When the casing is stretched enough to reach the back of the bracket, push the back of the light down and release. The light will “click” into place.



***Warning!*** Bracket must be installed on a board prior to attaching lights.





**Warning!** Make sure hardware is fully tightened before riding board.



**Pro Tips:** Attach one bracket at a time to avoid fully removing a truck.

Get extra brackets to easily switch ShredLights between boards!

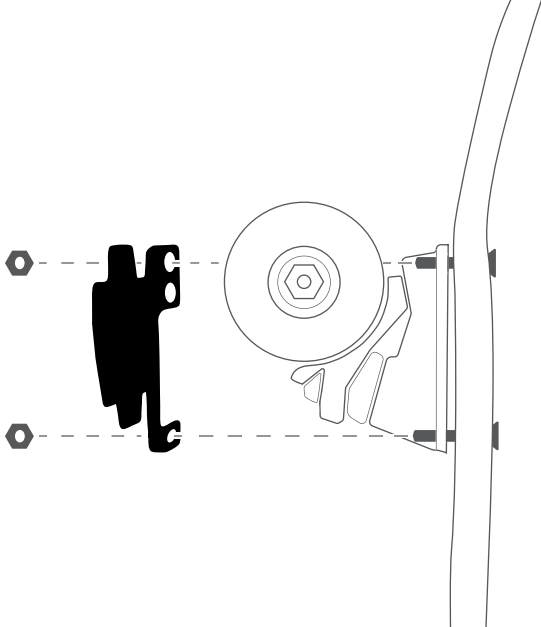
# 2

## Attaching Brackets

This section shows how to attach the brackets to the board. Please refer to the instructions according to which bracket type is being installed.

# Standard Bracket

1. Remove the nuts from the truck, making sure to leave bolts in board.
2. Slide the bracket over the two bolts.
3. Once the bracket is on the bolts, replace the nuts and fully tighten.



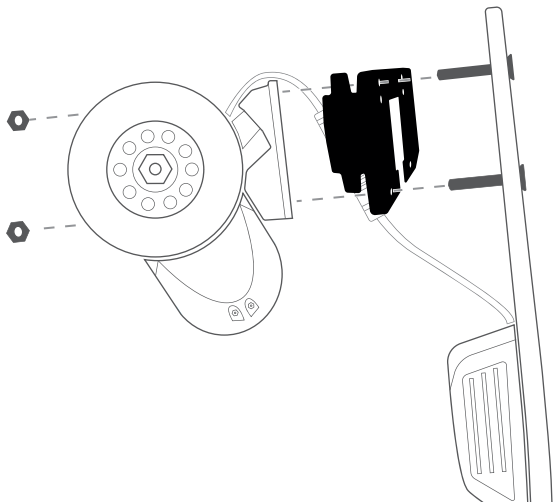
# Boosted Bracket

1. Remove all nuts from the rear truck.
2. Pull the truck/riser away from the board.
3. Slide the bracket over all of the bolts.
4. Replace truck/all nuts and fully tighten.



**Note:** *The boosted bracket is only intended for use on the rear truck.*

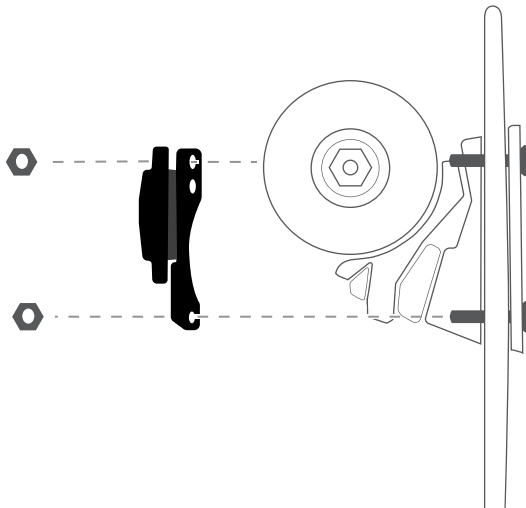




Attaching Brackets **17**

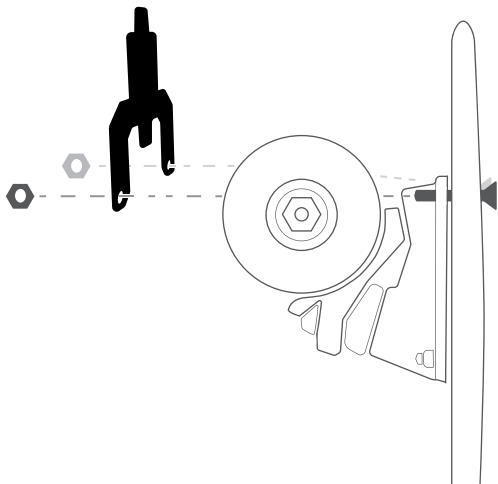
# Step Bracket

1. Remove the nuts from the truck, making sure to leave bolts in board.
2. Slide the bracket over the two bolts, making sure it is directly on the board.
3. Once the bracket is on the bolts, replace the nuts and fully tighten.



# Single Bracket

1. Remove the two nuts from front of truck.
2. Slide the bracket over front two bolts.
3. Replace the nuts and fully tighten.





***Did you know?*** ShredLights are fully water resistant with a rating of IP54. Even though the USB port is open, it is still fully water resistant too!

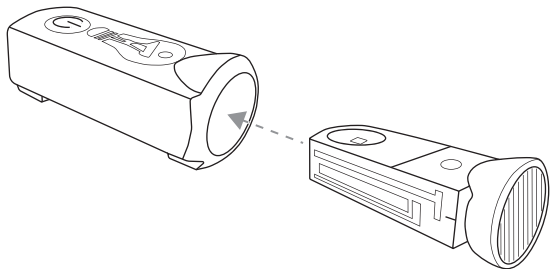
# 3

## Case Replacement

This section shows how to replace the rubber casing on a light that has been torn or damaged.

1. Remove the damaged casing from the internal circuit board.
2. Take internal circuit board and place into the front opening of new casing.
3. Push the internal circuit board into the new casing until it is fully in place.







# 4

## Other Information

This section contains information on the ShredLights safety warnings, return policy, and 90-day warranty.

# Safety Tips

Riding at night can be dangerous, even with lights, so please use caution. User is at their own risk while riding after sunset and ShredLights will not be held responsible for any accidents that may occur. It is highly recommended to wear a helmet while out riding. While ShredLights are water resistant, it is not recommended that users ride in the rain as it can be very dangerous. Please make sure the hardware on trucks is fully tightened after install before attempting to use the board.

# Return Policy

If you are not completely satisfied with ShredLights or they do not fit correctly on your skateboard, we will gladly accept returns for a full refund up to 30 days after purchase.

# Warranty

All of our lights come with a **90-day limited warranty**. This includes torn rubber casings but does not cover the loss of a light and/or lights. Make sure the lights are **FULLY SECURED** before use. If you experience any manufacturing defects with your lights, we will gladly replace them with new ones.



For videos on installation and more:

[www.shredlights.com/pages/how-to](http://www.shredlights.com/pages/how-to)



[support@shredlights.com](mailto:support@shredlights.com)

[www.ShredLights.com](http://www.ShredLights.com)



@ShredLights