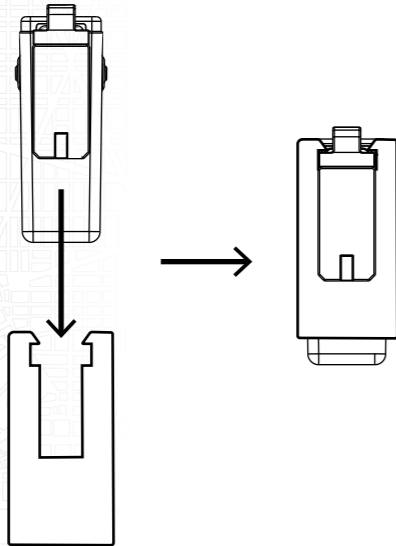


SL-300 & SL-R1 PRODUCT GUIDE

HOW TO USE S-LOCK



FAR FOCUS LENS

- Designed to maximize lumens and throw light as far as possible
- 180° lens wrap to increase visibility from both sides

S-LOCK MOUNT

- Slide bottom of light into any S-LOCK mount until the clip 'clicks' into place. Ensure it's secure before riding.
- To remove, press the front lever down slightly to disengage S-LOCK then slide the light away from the mount.

CHARGING PORT

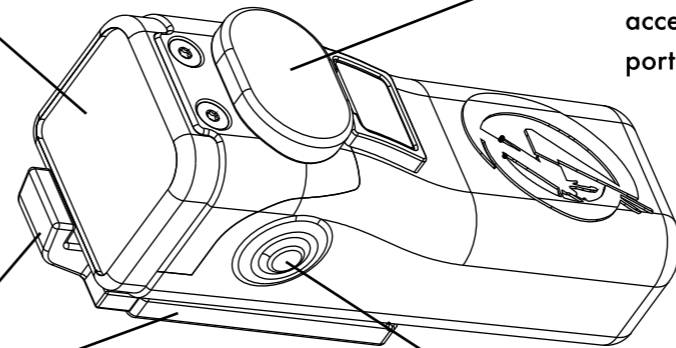
- Lift waterproof cover to access USB-C charging port

BATTERY INDICATOR

- An indicator LED will shine out of the front lens with the current battery level every time the light is turned off
- Battery level colors
 - Green > 75%
 - Orange = 25% - 75%
 - Red < 25%

DUAL SIDE BUTTONS

- Press and hold either side button to power on/off
- Switch between light modes
- Dual press to power off



WARNING

- 1) Riding at night is more dangerous than during the day. Use extra caution and ride within your limits. Always wear a helmet and other protective gear to help avoid serious injury or death.
- 2) Avoid using this light in full power when riding towards oncoming cars and/or pedestrians. Use caution when operating at full power to avoid temporarily blinding yourself or others.

LIGHT SPECS

SIZE	25 x 75 x 25 (mm)
WEIGHT	50 grams
BATTERY	1000 mAh
CHARGE TIME	2 hours
WATER RATING	IPX7 Waterproof (submersible up to 1 meter for 30 minutes)
LED	5700K / RED
LENS DIAMETER	25 mm

SL-300

	LIGHT MODE	LUMENS	BATTERY
1	LOW	50	12H
2	MEDIUM	150	4H
3	HIGH	300	2H
4	SLOW FLASH	150	20H
5	FAST FLASH	150	10H
6	BURST FLASH	150	20H

SL-R1

	LIGHT MODE	LUMENS	BATTERY
1	LOW	10	22H
2	MEDIUM	20	12H
3	HIGH	40	6H
4	SLOW FLASH	20	60H+
5	FAST FLASH	20	40H
6	BURST FLASH	20	60H+

Each side button will cycle through the six light modes in opposite directions. Press one button to go up to the next mode, and the opposite button to go back down to the previous mode.

WARRANTY INFO

The SL-300 & SL-R1 each include a 1 year full coverage warranty that covers any manufacturing defects, failures with S-LOCK mounting, and electronic failures such as inability to charge or operate properly.

To claim a warranty issue, please visit: [ShredLights.com/warranty](https://www.shredlights.com/warranty)

SHREDLIGHTS

Thank you for choosing ShredLights. Be sure to follow us and stay up to date with new mounts, product releases, and giveaways!

[www.SHREDLIGHTS.com](https://www.shredlights.com)

@SHREDLIGHTS | #SHREDLIGHTS

