



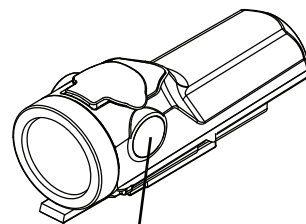
ShredLights

Download the App for **Faster Setup & Full Control** over Lights and Groups.

How to Pair Lights into Groups Without the App

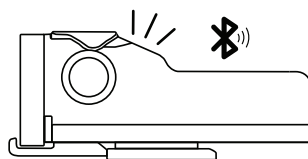
(App is recommended for first pairing out of the box)

1 Enable Pairing Mode



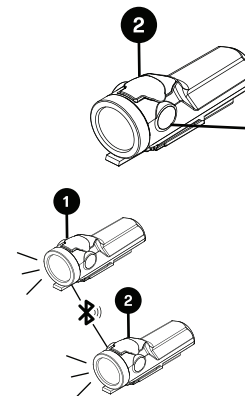
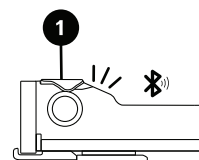
Press and hold the side button for 5 seconds

Top LED indicator will flash blue when pairing mode is enabled.



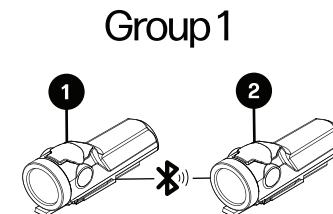
2 Pair 2 Lights to Create a Group

Enable pairing mode on Light 1



Press the side button on Light 2 for 1 second

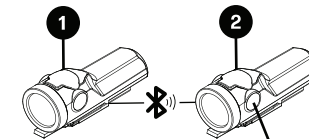
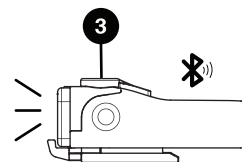
Both lights will turn on to indicate successful pairing.



Lights 1 & 2 can now be controlled together as Group 1.

3 Add Lights to a Group

Enable pairing mode on Light 3



Press the side button on any light in Group 1 for 1 second

All 3 lights will turn on indicating Light 3 is paired to Group 1. Repeat this process to add lights to any group.

How to Remove Lights from a Group

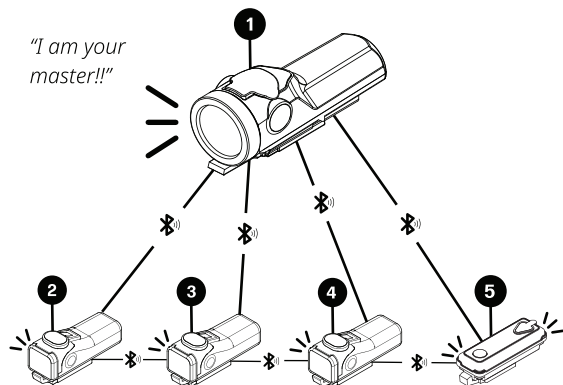
1. Enable pairing mode on the light you want to remove
2. Press and hold the side button of a different light in the group

Bluetooth Control

Bluetooth is always on and ready to communicate with the app or other lights in the group.

Control Full Groups With One Button

- + Use any light in the group to turn the group on/off (hold 1s) and change group light modes (press)
- + Use the app to customize group light modes and check the battery status of lights and groups
- + Lights remained paired to group after dying and being recharged



"We are your master too..."

S-LOCK MOUNTING

Patent: US D918,323 S

Slide the bottom of the light into any S-LOCK mount until the clip 'clicks' into place. Ensure it's secure before riding.

To remove, press down on the front lever to disengage S-LOCK, then slide the light away from the mount.



Medium Focus Lens

- + 24° beam angle to balance far light throw with broad coverage

S-LOCK™

Dual Side Buttons

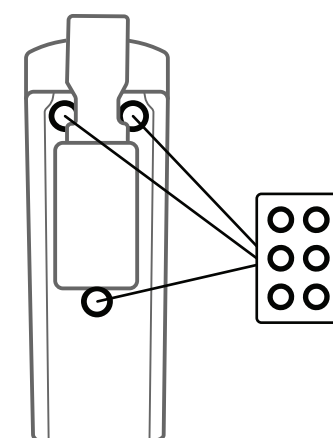
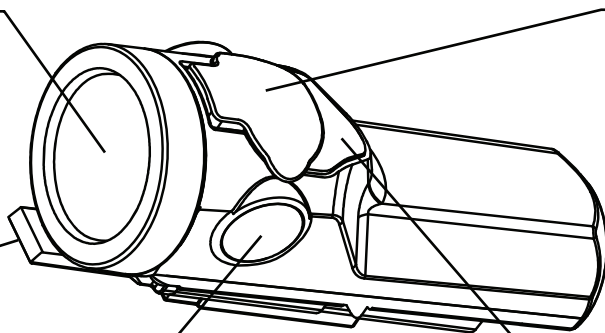
- + Press and hold for 1s to power on/off
- + Switch between light modes
- + Hold 5s to enable pairing mode

Charging Port

- + Lift waterproof cover to access USB-C charging port

LED Indicator

- + Blue = pairing mode
- + Battery level colors
 - Green > 50%
 - Orange = 20% - 50%
 - Red < 20%



Rattle Pads (optional to use)

Install on bottom of light for tighter fit with mounts to reduce rattling. Recommended to use with metal skateboard mounts.

! WARNING

- 1) Riding at night can be more dangerous than during the day. Use extra caution and ride within your limits. Always wear a helmet and other protective gear to help avoid serious injury or death.
- 2) Avoid using this light in full power when riding towards oncoming cars and/or pedestrians. Use caution when operating at full power to avoid temporarily blinding yourself or others.

Light Specs

SIZE	36 x 39 x 93 (mm)
WEIGHT	125 grams
BATTERY	3500 mAh
WATER RATING	IPX7 Waterproof (submersible up to 1 meter for 30 minutes)
CHARGE TIMES	0 - 50% = 75 min 0 - 75% = 2 hours 0 - 100% = 4 hours
LED Temp	5700K

Battery Life

LIGHT MODE	LUMENS	RUN TIME
LOW	50	24 hours
MEDIUM	300	6 hours
HIGH	700	160 minutes
MAX	1000	120 minutes
SLOW FLASH	250	36 hours



For any issues with your lights, visit ShredLights.com/Warranty

ShredLights include a 1 year warranty covering manufacturing defects, failures with S-LOCK, and electronic failures such as inability to charge or operate properly.



WWW.SHREDLIGHTS.COM



@ShredLights | #ShredLights