

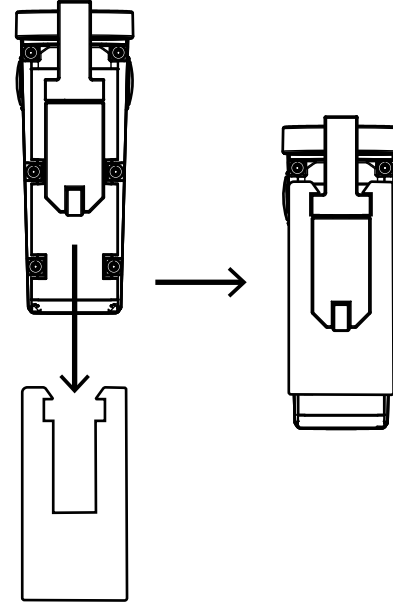


## PRODUCT GUIDE

## WARNING

- 1) Riding at night is more dangerous than during the day. Use extra caution and ride within your limits. Always wear a helmet and other protective gear to help avoid serious injury or death.
- 2) DO NOT use this light in full power when riding towards oncoming cars and/or pedestrians. Use extreme caution when operating above 250 lumens to avoid temporarily blinding others.
- 3) The exterior of the light may get warm during use. Avoid touching the metal shell for 5 minutes after use in settings 750 lumens and above.

## HOW TO USE S-LOCK



## CHARGING PORT

- Lift waterproof cover to access USB-C charging port.

## MODULAR LENS

- Unscrew front ring to add medium diffuser disc and broaden the beam angle.

## S-LOCK MOUNT

- Slide bottom of light into any ShredLights S-LOCK mounts until the clip 'clicks' into place. Ensure it's secure before riding. To remove, press the front lever down slightly to disengage S-LOCK then slide the light away from the mount.

## TOP CONTROL BUTTON

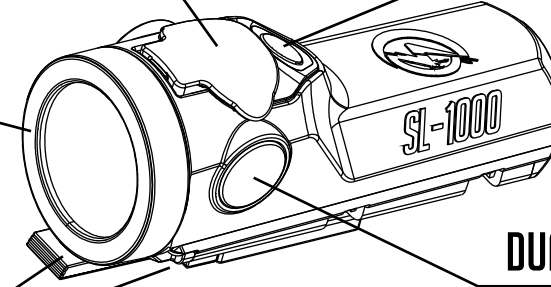
- Press and hold to power on/off
- Change brightness setting in any light mode
- LED Indicator for current battery level\*
- Press and hold for 5 seconds to toggle advanced memory mode on/off

## DUAL SIDE BUTTONS

- Press and hold either side button to power on/off
- Switch between light modes
- Dual press to power off
- Dual press and hold for 3 seconds to enable lockout mode.

## \*LED INDICATOR

- Battery level colors
  - Green > 75%
  - Orange = 25% - 75%
  - Red < 25%
- Indicator LED will light up with current battery level every time the light is turned on/off.



## SAFE MEMORY MODE

By default, the light will be in safe memory mode at all times. When the light is turned off and back on, it will return to the same light mode in the lowest brightness setting.

## ADVANCED MEMORY MODE

When the light is turned off and back on with advanced memory mode enabled, it will return to the same light mode AND brightness setting last used. To toggle advanced memory mode on/off, press and hold the top control button for 5 seconds.

## LOCKOUT MODE

Lockout mode prevents the light from being turned on when not in use. Press and hold both side buttons for 3 seconds and the top control button will flash orange to indicate you are in lockout mode and will flash orange when any button is pressed. To disable, press and hold both side buttons for 3 seconds. The top control button will flash green to indicate lockout mode has been disabled and all buttons will function normally again.

## SL-1000 SPECS

SIZE	36 x 39 x 93 (mm)
WEIGHT	123 grams
BATTERY	Samsung 18650 3500 mAh
CHARGE TIME	3.5 hours
WATER RATING	IPX7 Waterproof (submersible up to 1 meter for 30 minutes)
LED	SAMSUNG 5700K
LENS DIAMETER	29 mm

## CONSTANT MODES

LUMENS	50	250	500	750	1000
BATTERY	50H	8H	4H	2.5H	1.5H

## FLASH MODES

LUMENS	50	250	500	750	1000
CONSTANT BURST	50H	8H	4H	2.5H	/
SLOW FLASH	250H	40H	20H	12.5H	7.5H
FAST FLASH	200H	32H	16H	10H	6H
BURST FLASH	250H	40H	20H	12.5H	7.5H

## OVERHEATING PREVENTION

In all settings above 500 lumens, this light may get warm while in use. To prevent overheating, the brightness will be automatically lowered to maintain a safe internal temperature. When this occurs, the main LED will flash 3 times to indicate overheating prevention has been enabled. When riding at speeds of 10 mph or faster, the breeze will help cool down the light and can avoid the overheating prevention from occurring.

## WARRANTY INFO

The SL-1000 includes a 90 day limited warranty that covers any manufacturing defects, failures with S-LOCK mounting, and electronic failures such as inability to charge or operate properly. To claim a warranty issue, please contact the store you purchased from to begin the warranty process.

Visit our support page for tutorials and more resources!



Thank you for choosing ShredLights. Be sure to follow us and stay up to date with new mounts, product releases, and giveaways!

[www.SHREDLIGHTS.com](http://www.SHREDLIGHTS.com)

@SHREDLIGHTS | #SHREDLIGHTS

