

REMOTE CONTROL ROCKET ASSEMBLY INSTRUCTIONS

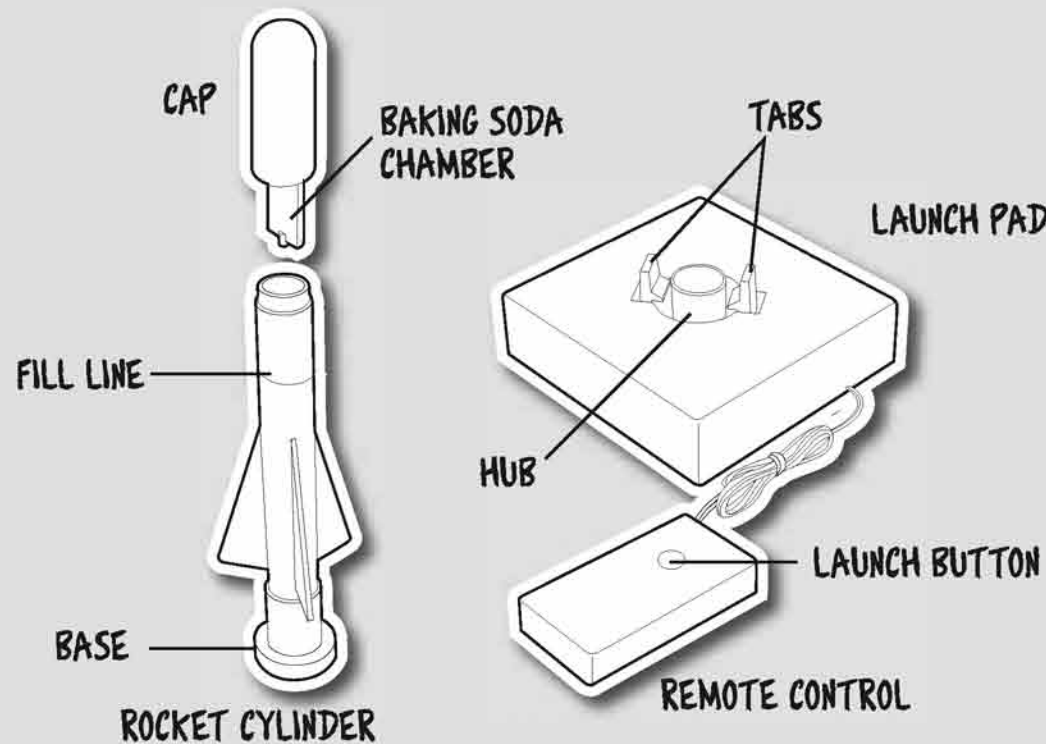
You don't have to be a rocket scientist to launch this rocket, but it does take some preparation. You'll have more fun if you read all the instructions before you try to launch your rocket.

YOUR KIT INCLUDES:

Rocket cylinder, cap, launch pad, and remote control

YOU'LL NEED:

White vinegar, baking soda, plastic bowl, measuring cup, and paper towels

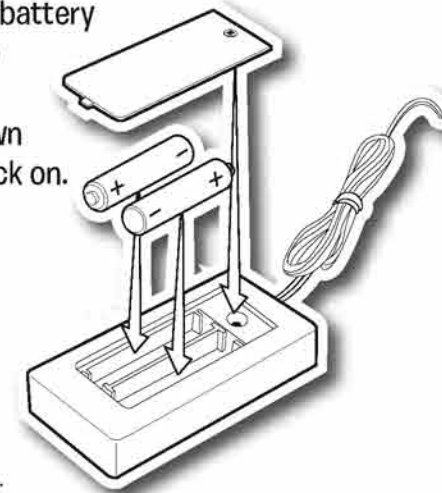


A few very important things to remember about your rocket:

- **WARNING: DO NOT STAND OVER A LOADED ROCKET! AFTER LOADING THE BAKING SODA, STEP BACK FOUR FEET —AS FAR AS THE REMOTE CONTROL WILL ALLOW.**
- Adult supervision is required.
- This is an outdoor toy—never play with it inside the house.
- Never point your rocket at anyone.
- Do not move the rocket once you have started the launch process.
- Do not try to catch the rocket as it flies through the air!
- Pick it up after it lands.

1. INSTALL THE BATTERIES IN THE REMOTE CONTROL

Use a screwdriver to remove the cover of the battery compartment on the underside of the remote control. Insert two 1.5v AAA batteries, making sure they're facing the right direction, as shown in the battery illustration. Screw the cover back on.



BATTERY CAUTIONS

- Insert batteries with the correct polarity.
- Do not short-circuit the supply terminals.
- Remove exhausted batteries from the toy.
- Do not recharge nonrechargeable batteries.
- Batteries are small objects and could be ingested.
- Never let a child use this product unless the battery door is secure.
- Remove rechargeable batteries from the toy before charging them.
- Only use batteries of the same or equivalent type as recommended.
- Rechargeable batteries are only to be charged under adult supervision.
- Different types of batteries or new and used batteries are not to be mixed.
- Do not mix alkaline, standard (carbon-zinc), or rechargeable (nickel-cadmium) batteries.
- Keep all batteries away from small children, and immediately dispose of any batteries safely.
- To ensure proper safety and operation, battery replacement must always be done by an adult.

2. GATHER YOUR SUPPLIES

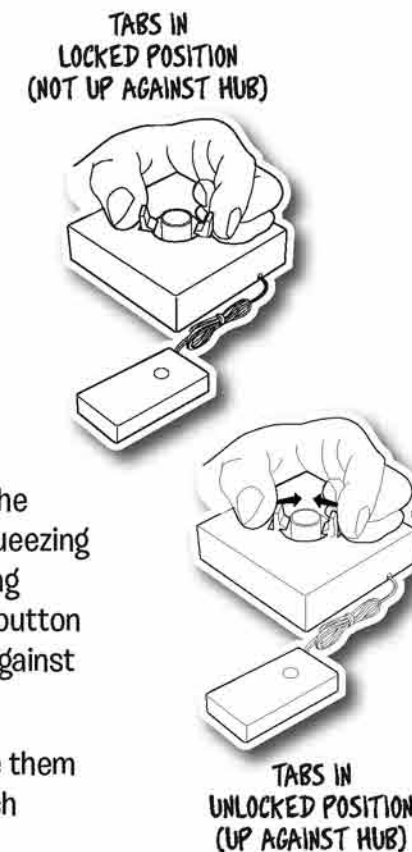
Your rocket is fueled by vinegar and baking soda. Ask an adult to help you find some plain white vinegar and a box of baking soda. Get a small plastic bowl and dump in about 1/2 cup of baking soda.

3. TEST THE EQUIPMENT

Wiggle the tabs on the launch pad. If you can easily move the tabs all the way against the hub, they're in the unlocked position. If the tabs are difficult to squeeze together, they're in the locked position. The tabs need to be in the unlocked position for you to attach the rocket cylinder to the launch pad.

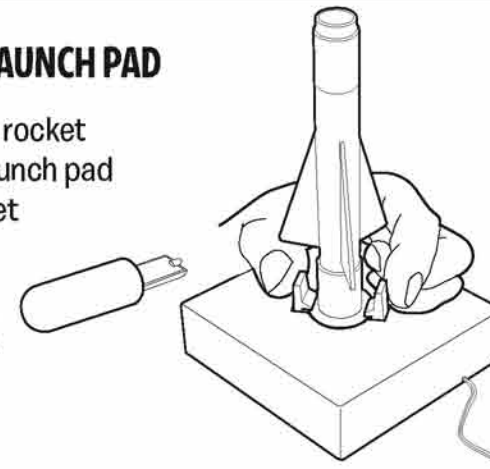
To unlock the tabs, press the launch button on the remote control and hold it down while gently squeezing the tabs together. You will hear the motor running inside the launch pad. Stop pressing the launch button when the tabs are in the unlocked position (up against the hub). Now the tabs should be unlocked.

If the tabs are in the locked position, don't force them open or closed! Continue to hold down the launch button until they unlock.



4. ATTACH YOUR ROCKET TO THE LAUNCH PAD

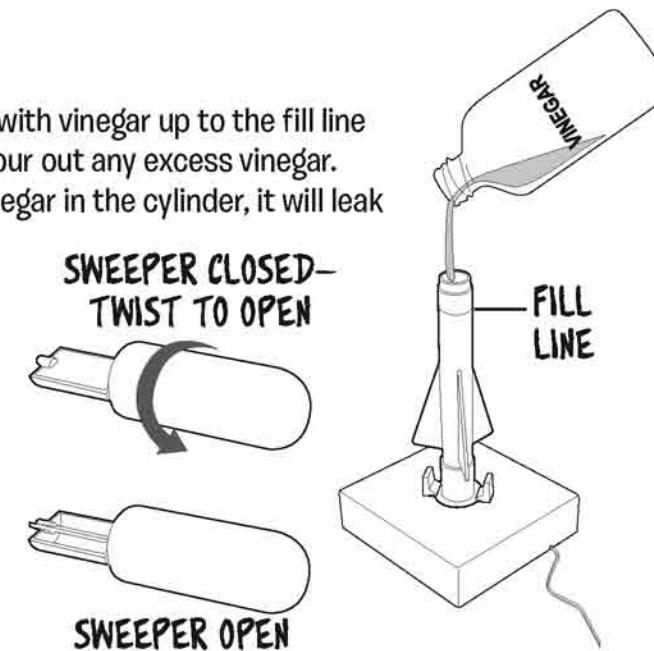
Unscrew the cap from the nose of the rocket and set it aside. Set the tabs on the launch pad to the unlocked position. Set the rocket cylinder in the hole on the launch pad. Squeeze the tabs together until they click into the locked position covering the base of the rocket. This secures the rocket in place.



5. LOAD THE FUEL

Fill the rocket cylinder with vinegar up to the fill line (about 4 teaspoons). Pour out any excess vinegar. If there is too much vinegar in the cylinder, it will leak out during launch.

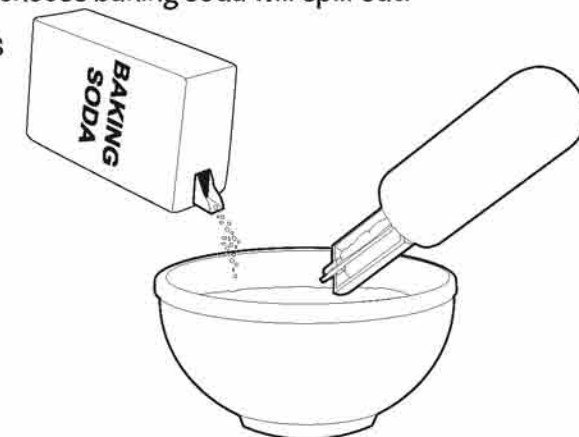
Next, load the baking soda. Hold on to the baking soda chamber and turn the cap so that the sweeper is in an open position.



Dip the baking soda chamber into the bowl of baking soda and scoop out a good amount. Then, turn the cap so that the sweeper closes over the chamber. As you do this, excess baking soda will spill out.

Don't worry—the chamber is designed to hold the right amount of baking soda (about 1/2 teaspoon).

Use your hand to brush any excess baking soda off the outside of the chamber.

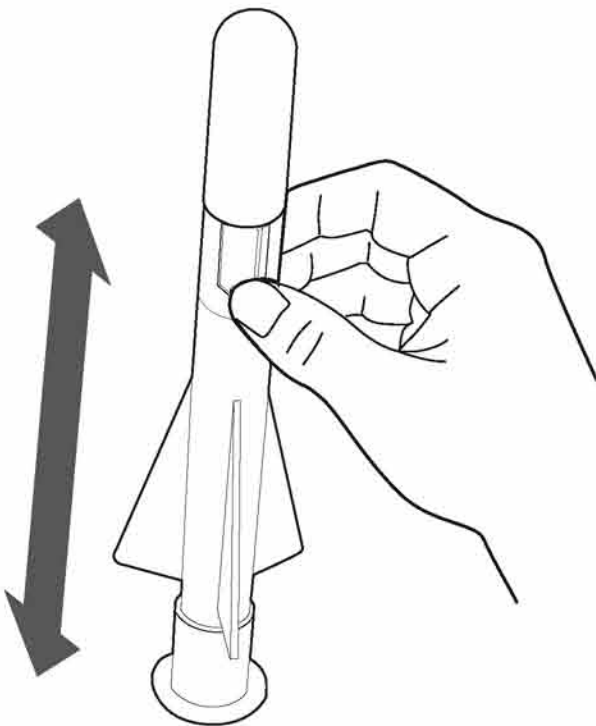
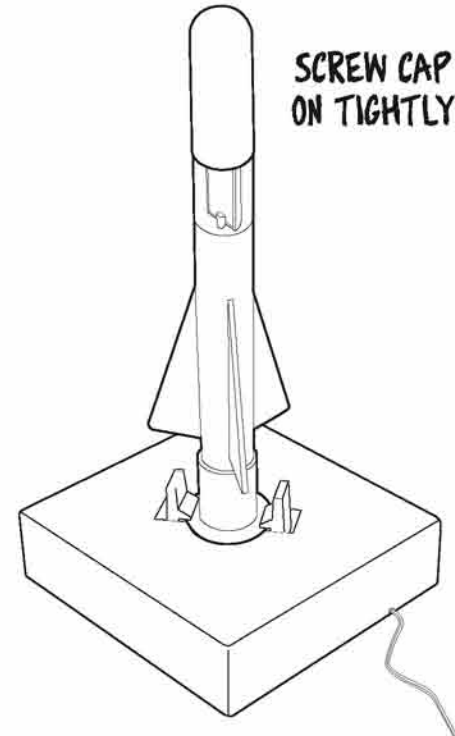


REMOTE CONTROL ROCKET ASSEMBLY INSTRUCTIONS (continued)

6. COUNT DOWN TO BLASTOFF

When you are ready to launch your rocket, you need to work quickly. Screw the cap onto the rocket as tightly as possible. The reaction begins as soon as the baking soda is loaded.

Step back as far as the remote cord will allow. (Do not pull on the launch pad with the remote cord.) Count down four seconds, then press the launch button (for about seven seconds) until the tabs release and the rocket blasts off.



To mix the fuel, you can try giving the rocket a shake immediately after screwing on the cap. Keep the rocket pointed straight up and down. Gently shake the rocket up and down one or two times. Then set the rocket down and proceed with your launch.

Be safe! If the rocket misfires—for instance, if only one tab releases—wait for the fizzing reaction to stop. If you see that fuel is leaking from the base of the rocket, do not try to fix it. If the rocket starts to come unattached from the launch pad, do not investigate. If either of these things happens, stand back, and push the launch button to release the rocket. Then ask an adult to remove the rocket from the launch pad.

ROCKET MAINTENANCE

Every launch works better with clean, dry equipment.

Wipe off the launch pad with a damp paper towel and then a dry paper towel. Do not immerse or rinse the launch pad in water or any other liquid!

Rinse the rocket cylinder and cap with water. Clean out any leftover baking soda. Use a paper towel to get the baking soda chamber as dry as possible.

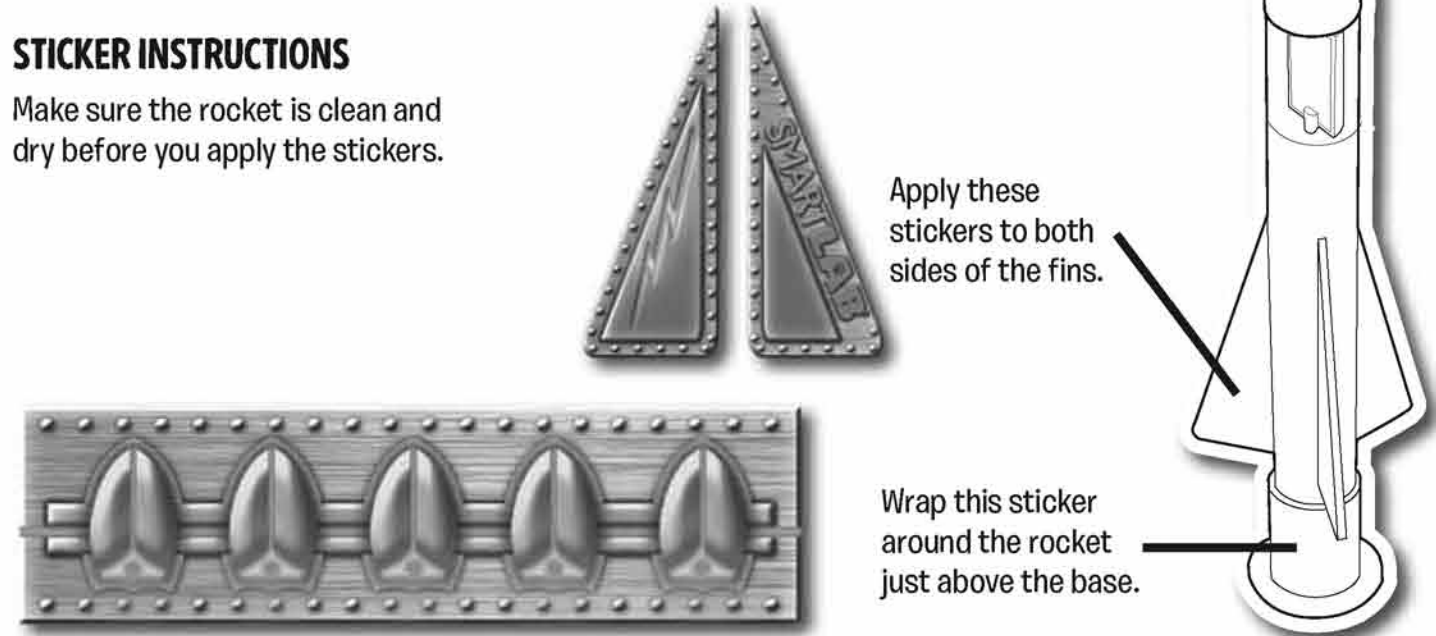
When you're done launching and experimenting, let the launch pad and rocket parts air-dry completely before you put them away.

YOUR NEXT ROCKET MISSION

The tabs on the launch pad may be in the locked position after a launch. It is necessary to unlock the tabs before you can set up the rocket for another launch. See step 3 to review.

STICKER INSTRUCTIONS

Make sure the rocket is clean and dry before you apply the stickers.



TROUBLESHOOTING

- **Rocket not launching high enough?** Experiment with the amount of vinegar in the fuel mixture. If you use slightly less vinegar and wait a few more seconds before you press the launch button, you may get a bigger blastoff. Also, your baking soda could be old. New baking soda works better than old baking soda.
- **Fuel leaking from the bottom of the rocket?** This means that the rocket was not properly attached to the launch pad. Check the tabs on the launch pad before your next launch. Make sure the tabs are locked to the base of the rocket.
- **Vinegar fizzing when poured into cylinder?** The cylinder still had some baking soda in it. Wash and dry the cylinder thoroughly between launches.
- **Baking soda fizzing out the top when added to cylinder?** You could have too much vinegar in the cylinder. Wash and dry the cylinder thoroughly and start again.
- **Baking soda clumping inside chamber?** The baking soda chamber was not thoroughly dry.
- **Fuel overflowing during launch?** You used too much vinegar or baking soda (or both). The cap was not screwed on correctly. (Or it wasn't screwed on tightly enough.)