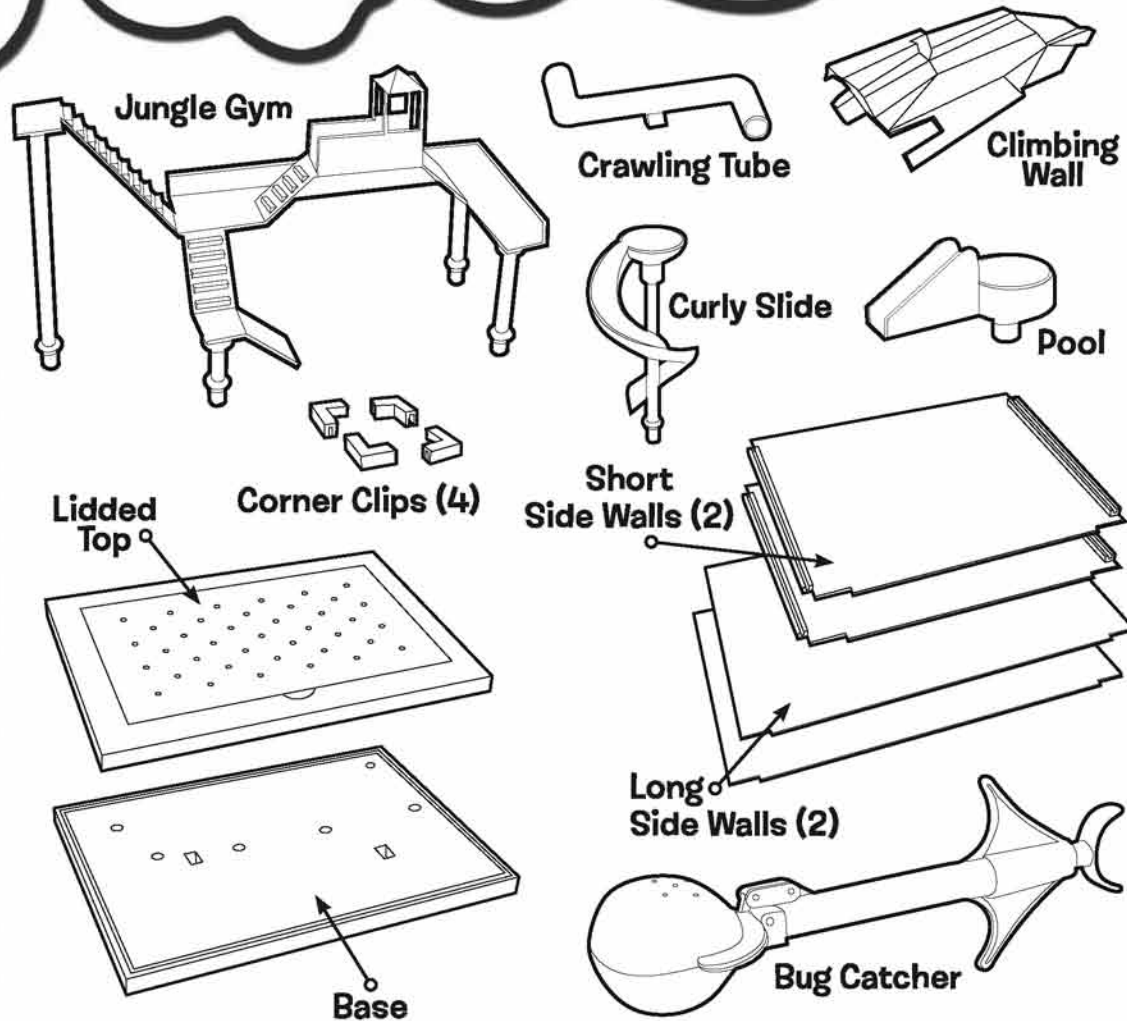


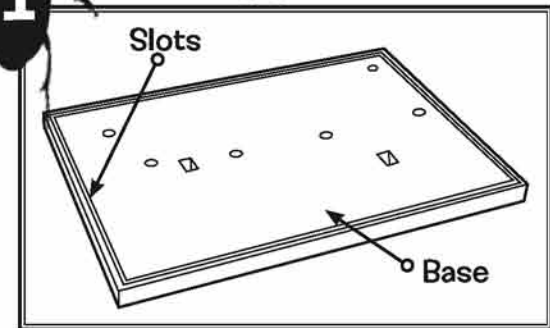
## BUG PLAYGROUND: FROM THE

# GROUND UP!



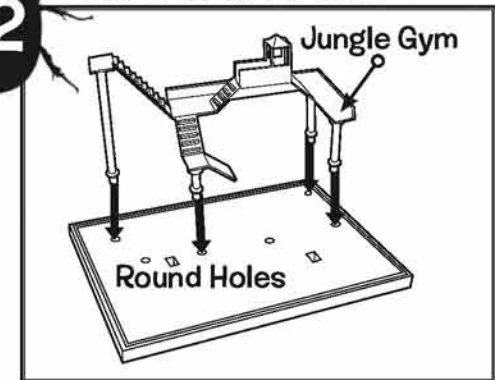
### BASE

Set down base with wall slots facing up, as shown.



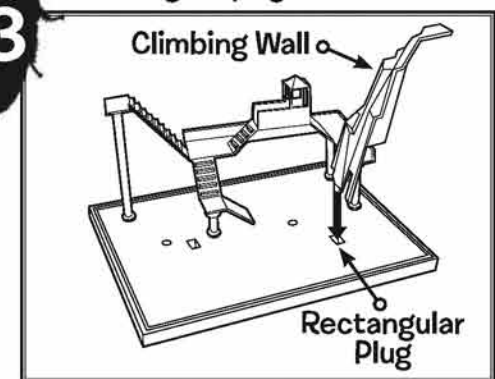
### JUNGLE GYM

Press jungle gym into the round holes, as shown.



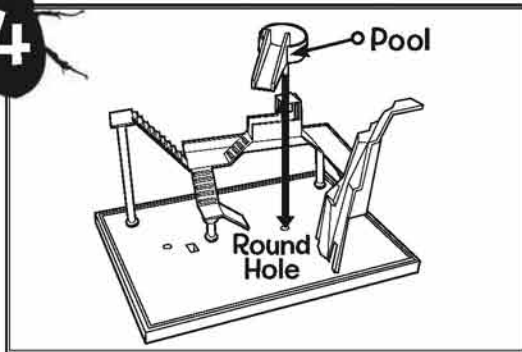
### CLIMBING WALL

Press climbing wall into the rectangular plug, as shown.



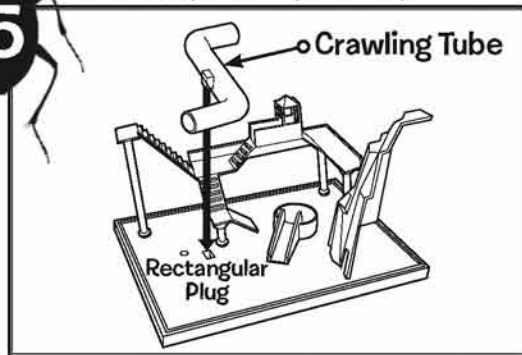
## POOL

Insert the round peg of the pool into the round hole of the base, as shown.



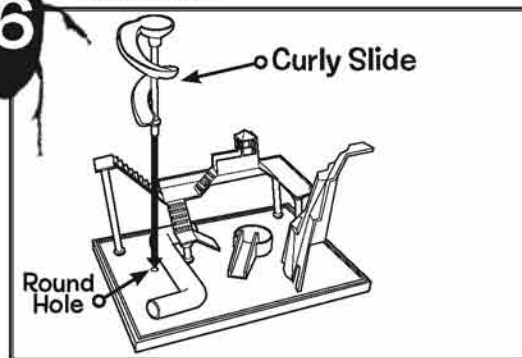
## CRAWLING TUBE

Press the crawling tube into the remaining rectangular plug.



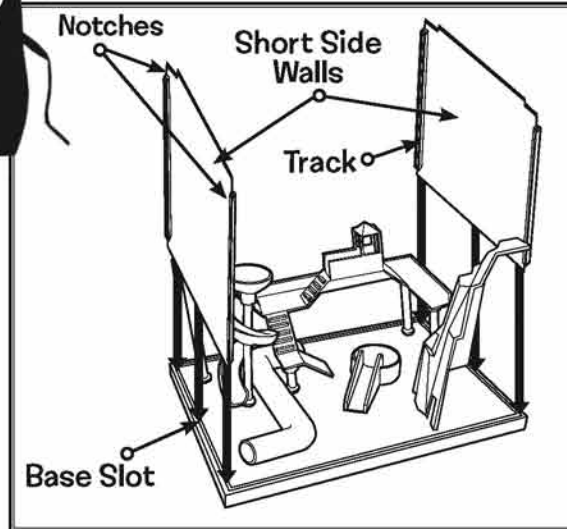
## CURLY SLIDE

Insert the curly slide into the last round hole.



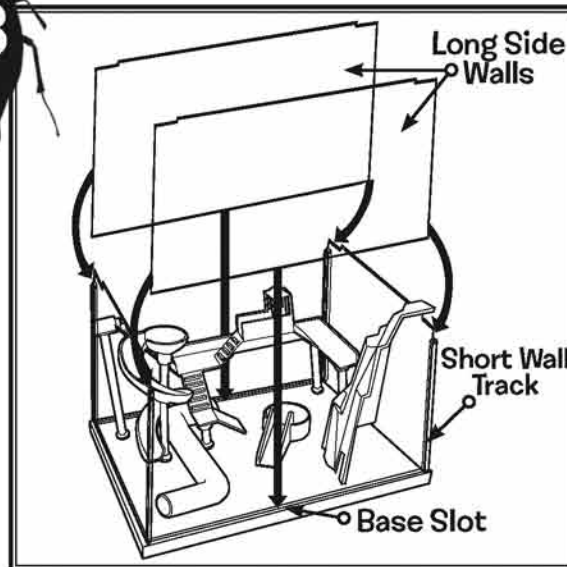
## SHORT SIDE WALLS

Hold both short side walls with tracks on the inside and notches on the top, as shown. Press them firmly into the base slots. Make sure they're snug!



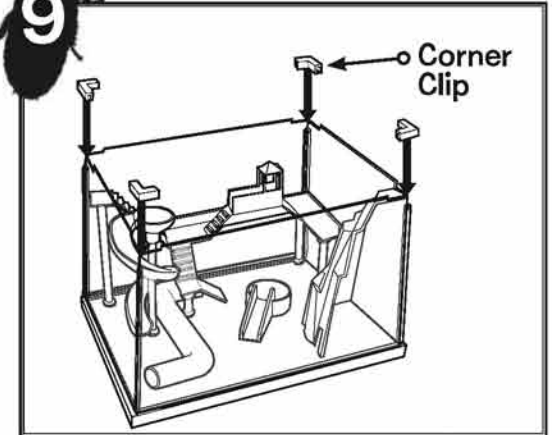
## LONG SIDE WALLS

Slide both long side walls into the short wall tracks and press them into the base slots.



## CORNER CLIPS

Secure your Bug Playground by pressing a corner clip onto each of the four corners.



## LIDDED TOP

Place lidded top as shown. Press it down firmly. NOTE: Make sure the lid is closed tightly every time you catch a new bug!

