

ATX - Thermal storage steel AISI 316L



Thermal storage in stainless steel AISI 316L for the storage of domestic hot water. The accumulation is equipped with an inspection hatch usable also for the possible insertion of an electric heater.



TECHNICAL CHARACTERISTICS

Sanitary	Material:	Stainless steel AISI 316L (1.4404)
	Internal protective processing:	Pickling and passivating
	External protective processing:	Pickling and passivating
	Power (P max. / T max.):	6 bar / 95°C
	Cathodic protection:	Magnesium anode
General characteristics	Capacity:	200 - 5000 Lt
	Warranty:	5 years
	Insulation:	- Rigid Polyurethane+ pvc: <i>Fire resistance class B3 (DIN 4102)</i>
		- Flexible polyester + pvc: <i>Fire resistance class B2 (DIN 4102)</i>
	Reference legislation:	- PED 97/23/CE Art. 3 Par. 3 (pressurised equipment) - M. D. of 6th April 2004 N.174 (suitability of materials in contact with DHW)

FITTINGS
(pag. 156)



Electronic anode with impressed current



Electronic control unit



Electrical resistance attack on 1 1/2" or on flange



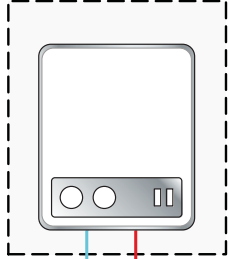
Thermostat



Thermometer

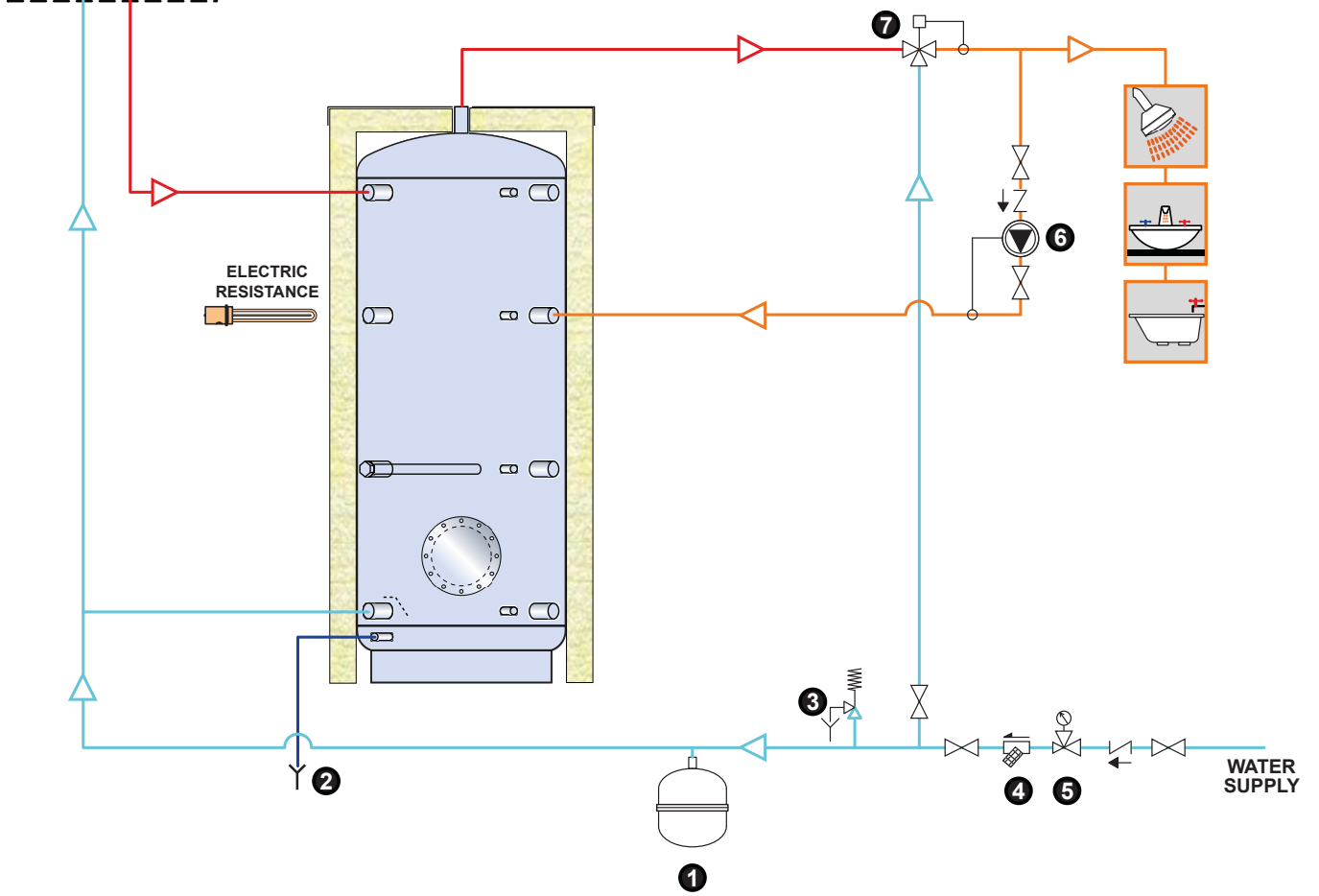
Caution: Indicative Schematic diagram, not substitutive for project work.

SANITARY HOT WATER PRODUCTION



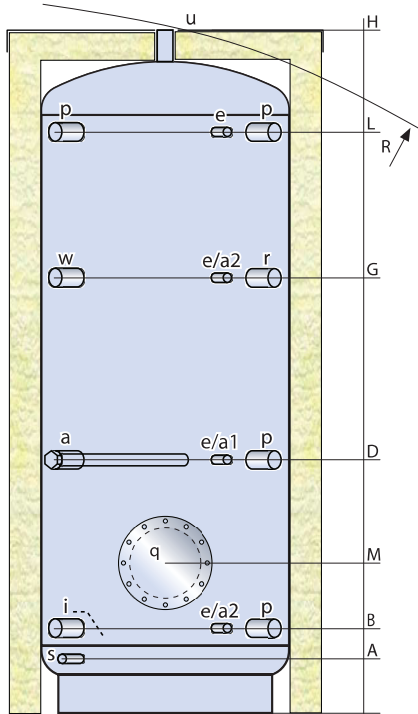
LEGEND

- 1. Sanitary expansion vessel
- 2. Sanitary drain
- 3. Sanitary safety valve (6 bar)
- 4. Dirt filter
- 5. Pressure reducer
- 6. Sanitary recirculation pump
- 7. Sanitary mixing valve

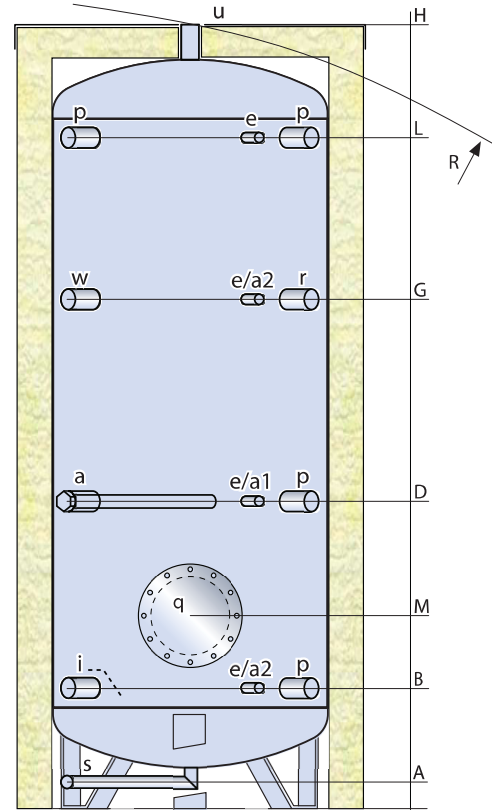
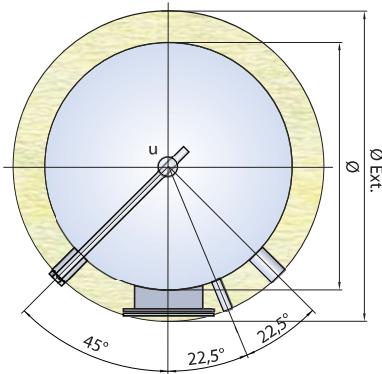


200 - 1500 Lt

2000 - 5000 Lt



- a magnesium anode
- a1 - a2 provision for the electronic anode
- e thermometer - probe
- i sanitary cold water inlet
- p service connection
- q inspection flange
- r recirculation
- s discharge
- u sanitary hot water output
- w electrical resistance service provision


 DHW Thermocumulators
Rapid Preparators

Capacity (Lt)	Dimensions (mm)				Electronic anode (optional)	Weight (Kg)
	Ø	H	Ø Ext. **	R*		
200	450	1290	550	1420	a1 (EPS 375/125)	50
300	500	1580	600	1710	a1 (EPS 375/125)	61
500	650	1630	750	1810	a1 (EPS 375/125)	78
800	790	1735	1050	1800	a1 (EPS 375/125)	116
1000	790	2080	1050	2140	a1 (EPS 375/125)	134
1500	1000	2115	1260	2190	a2 (EPS 375/125)	195
2000	1100	2350	1360	2640	a2 (EPS 375/125)	261
2500	1200	2595	1400	2690	a2 (EPS 700/200)	307
3000	1250	2795	1450	2890	a2 (EPS 700/200)	335
4000	1400	2925	1600	3030	a2 (EPS 700/200)	492
5000	1600	2955	1800	3090	a2 (EPS 700/200)	576

* For capacities from 200 to 500 Lt the diagonal of rollover refers to the insulated tank

** All isolations are removable except for models from 200 to 500 Lt

Capacity (Lt)	Measures (mm)						Connections (gas)					
	A	B	D	G	L	M	a p r	e	i u	s	w	q
200	110	190	515	890	1075	350	1"1/4	1/2"	1"1/4	1"	1"1/2	220/290
300	110	215	595	1080	1350	375	1"1/4	1/2"	1"1/4	1"	1"1/2	220/290
500	135	240	615	1105	1375	445	1"1/4	1/2"	1"1/4	1"	1"1/2	220/290
800	170	275	655	1145	1410	450	1"1/4	1/2"	1"1/2	1"	1"1/2	300/380
1000	170	275	810	1355	1755	455	1"1/4	1/2"	1"1/2	1"	1"1/2	300/380
1500	235	340	765	1400	1725	520	1"1/4	1/2"	2"	1"	1"1/2	300/380
2000	100	470	1010	1515	2075	655	1"1/4	1/2"	2"	1"	1"1/2	350/430
2500	100	500	1040	1600	2105	690	1"1/4	1/2"	2"	1"	1"1/2	350/430
3000	90	515	1100	1730	2300	675	1"1/4	1/2"	3"	1"	1"1/2	350/430
4000	120	595	1190	1815	2380	755	1"1/4	1/2"	3"	1"	1"1/2	350/430
5000	100	600	1185	1815	2385	760	1"1/4	1/2"	3"	1"	1"1/2	350/430