

Yonos MAXO/-D



ErP
READY

APPLIES TO
EUROPEAN
DIRECTIVE
FOR ENERGY
RELATED
PRODUCTS

en Installation and operating instructions



www.wilo.com/yonos-maxo/om

Table of contents

1	Guidance information	4	8.5	Warning signals	12
1.1	About these instructions	4	9	Spare parts	13
1.2	Original instructions	4	10	Disposal	13
1.3	Safety information.....	4			
2	Description of the pump	4			
2.1	Overview	4			
2.2	Short description	4			
2.3	Type key	4			
2.4	Technical data.....	4			
2.5	Min. inlet pressure.....	4			
3	Safety	5			
3.1	Intended use	5			
3.2	Operator responsibilities.....	5			
3.3	Safety instructions.....	5			
4	Transportation and storage	5			
4.1	Scope of delivery.....	5			
4.2	Accessories	5			
4.3	Transport inspection	5			
4.4	Storage	5			
4.5	Transport.....	6			
5	Installation.....	6			
5.1	Personnel requisition.....	6			
5.2	Safety during installation.....	6			
5.3	Preparing the installation.....	6			
5.4	Permissible installation	6			
5.5	Outdoor installation	6			
5.6	Align	6			
5.7	Installation	7			
5.8	Insulate	8			
6	Connect	9			
6.1	Personnel requisition.....	9			
6.2	Requirements	9			
6.3	Connection options	9			
6.4	Double pumps	9			
6.5	Collective fault signal (SSM)	9			
6.6	Connect.....	9			
7	Put into operation	11			
7.1	Venting	11			
7.2	Flush.....	11			
7.3	Select operating mode.....	11			
7.4	Adjust operating mode and pump output.....	12			
8	Troubleshoot	12			
8.1	Personnel requisition.....	12			
8.2	Safety during troubleshooting.....	12			
8.3	Error table.....	12			
8.4	Fault signals	12			

1 Guidance information

1.1 About these instructions

These instructions enable the safe installation and initial commissioning of the pump.

- Read these instructions before commencing work and keep them in an accessible place at all times.
- Observe instructions and labelling on the pump.
- Observe local regulations where the pump is installed.

1.2 Original instructions

The German language version represents the original instructions. All other language versions are translations of the original instructions.

1.3 Safety information

Signal word	Meaning
Danger	Dangers which lead to serious injury or death
Warning	Dangers which can lead to serious injury or death
Caution	Dangers which can lead to minor injury
Attention	Dangers which can lead to material and environmental damage

2 Description of the pump

2.1 Overview

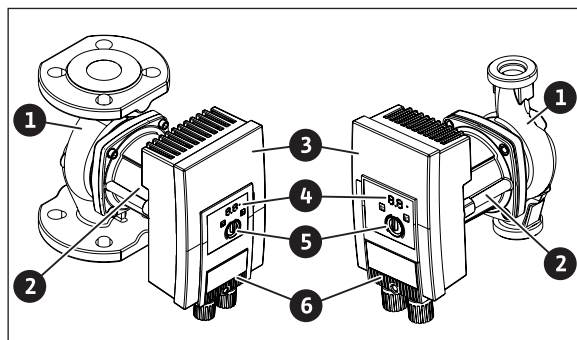


Fig. 1: Overview flange and threaded pipe union pump (single pump)

- 1 Pump housing
- 2 Motor
- 3 Control module
- 4 LED display and failure LED
- 5 Operating knob
- 6 Plug

2.2 Short description

The high-efficiency pump Wilo-Yonos MAXO in the single or double pump version with flange or threaded pipe union is a glandless pump with permanent magnet rotor and integrated differential pressure control.

Power limit

The pump is fitted with a power-limiting function which prevents overload. This may have an operational influence on the delivery rate.

2.3 Type key

Example: Yonos MAXO-D 32/0.5-11

Yonos MAXO	Pump designation
-D	Double pump
32	Flange connection DN 32
0.5-11	0.5: Minimum delivery head in m 11: Maximum delivery head in m at Q = 0 m ³ /h

2.4 Technical data

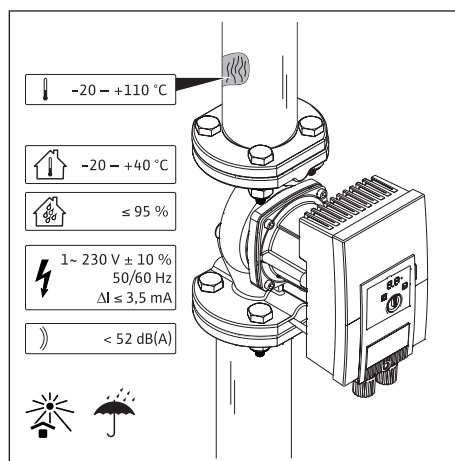


Fig. 2: Technical data

Instruction	Value
Permissible fluid temperature	-20 to +110 °C
Permitted ambient temperature	-20 to +40 °C
Maximum relative humidity	95 %
Mains voltage	1~ 230 V +/- 10 % 50/60 Hz
Residual current ΔI	≤ 3.5 mA
Emissions-sound-pressure level	< 52 dB(A)

For further instructions see rating plate and catalogue.

2.5 Min. inlet pressure

Nominal diameter	Fluid temperature		
	-20 to +50 °C	up to +95 °C	up to +110 °C
Rp 1	0.3 bar	1.0 bar	1.6 bar
Rp 1 ¹ / ₄			
DN 32	0.5 bar	1.2 bar	1.8 bar
DN 40			
DN 50			
DN 65	0.7 bar	1.5 bar	2.3 bar
DN 80			
DN 100			

i Effective up to 300 m above sea-level. For higher altitudes +0.01 bar/100 m.

3 Safety

3.1 Intended use

Use

Circulation of liquid in the following application areas:

- Hot-water heating systems
- Cooling and cold water circulation systems
- Closed industrial circulating systems
- Solar installations

Permitted liquids

- Heating water according to VDI 2035 (CH: SWKI BT 102-01)
- Water-glycol mixtures in maximum ratio 1:1
The delivery rate of the pump is compromised by the admixture of glycol due to the changed viscosity. This is to be considered during pump adjustment.



Use other fluids only after approval from Wilo.

Permitted temperatures

- -20 to +110 °C

Misuse

- Never allow unauthorised persons to perform work.
- Never operate the pump outside of the specified limits of use.
- Never carry out unauthorised conversions.
- Use exclusively authorised accessories and authorised spare parts.
- Never operate with phase angle control.

3.2 Operator responsibilities

- This device can be used by children from 8 years of age as well as people with reduced physical, sensory or mental capacities or lack of experience and knowledge if they are supervised or instructed on the safe use of the device and they understand the dangers that can occur. Children are not allowed to play with the device. Cleaning and user maintenance are not permitted to be carried out by children.
- Have all work carried out by qualified personnel only.
- At the installation site ensure protection from electrical dangers and from touching hot components.
- Have defective gaskets and connecting cables replaced.

3.3 Safety instructions

Electrical current



The pump is operated electrically. An electric shock may be a danger to life!

- Have only qualified electricians carry out work on electrical components.
- Before all work deactivate power supply and guard against accidental switch-on.
- Never open control module and never remove operator controls.
- Operate pumps exclusively with intact components and connection pipes.

Magnetic field



The permanent magnet rotor inside the pump can be a danger to life for people with medical implants during dismantling.

- Never remove the rotor.

Hot components



Pump housing and glandless pump motor can get hot and cause burns when touched.

- During operation only touch the control module.
- Allow the pump to cool down before commencing any work.
- Keep highly flammable materials away.

4 Transportation and storage

4.1 Scope of delivery

- Pump
- 8x washer M12 (only flange-end pump)
- 8x washer M16 (only flange-end pump)
- 2x flat gasket (only threaded pipe union pump)
- Concise Installation and operating instructions

4.2 Accessories

Separately available:

- Thermal insulation shell (only for heating applications)

4.3 Transport inspection

Following delivery immediately check for damage and integrity. Where necessary make a complaint immediately.

4.4 Storage

- Store in original packaging.
- Protect against damp and mechanical load.
- Dry pump thoroughly following utilisation (e.g. function test) and store for a maximum of 6 months.
- Permissible temperature range: -20 °C to +40 °C

4.5 Transport

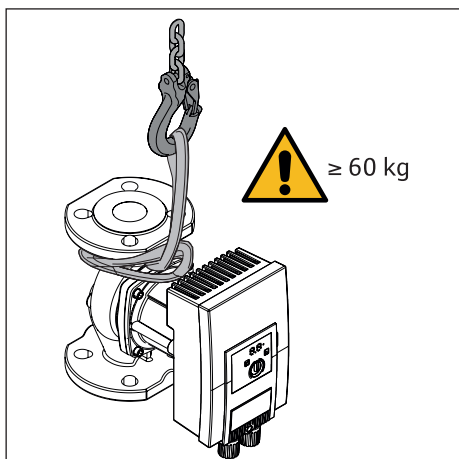


Fig. 3: Transport

- Only carry motor or pump housing.
- If necessary use hoisting gear with sufficient bearing capacity.

5 Installation

5.1 Personnel requisition

Carry out installation using qualified specialists only.

5.2 Safety during installation

! WARNING

Hot liquids can cause scalding. Before the installation or removal of the pump or the dismantling of the housing screws observe the following:

- Close shut-off device or drain unit.
- Cool down the unit completely.

5.3 Preparing the installation

- Branch off the safety feed ahead of the pump when installing in feed of open systems (EN 12828).
- Complete all welding and brazing tasks.
- Flush unit.
- Arrange shut-off devices in front of and behind the pump. Laterally align the shut-off device above the pump so that the leakage water does not drip on the control module.
- Make sure that the pump can be installed free of mechanical stresses.
- Allow a 10 cm distance around the control module so that it does not overheat.

5.4 Permissible installation

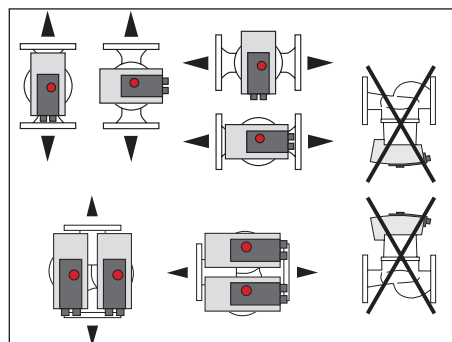


Fig. 4: Permissible installation

5.5 Outdoor installation

When installing outdoor also observe:

- Install pump in a pump chamber.
- Utilise cover as protection against environmental influences (e.g. rain).
- Observe permissible environmental conditions and protection classes.

5.6 Align

The motor head must be aligned according to installation position.

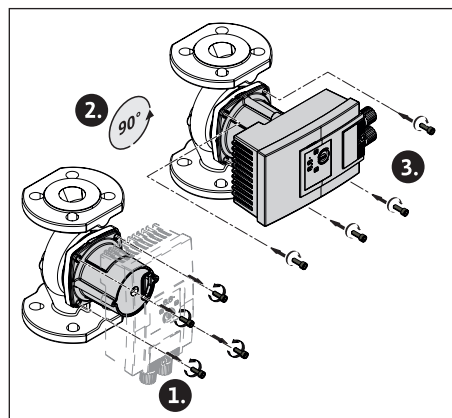


Fig. 5: Align motor

- Check permissible installation position.
- Dismantle motor head and carefully turn. Do not remove motor from pump housing.

ATTENTION

- Damage to the gasket causes leakage.
- Do not remove gasket.

5.7 Installation

5.7.1 Flange-end pump installation

Screws and tightening torques

Flange-end pump PN 6	DN 32	DN 40	DN 50
Screw diameter	M12		
Strength class	≥ 4.6		
Tightening torque	40 Nm		
Screw length	≥ 55 mm		≥ 60 mm

Flange-end pump PN 6	DN 65	DN 80	DN 100
Screw diameter	M12	M16	
Strength class	≥ 4.6		
Tightening torque	40 Nm	95 Nm	
Screw length	≥ 60 mm	≥ 70 mm	

Flange-end pump PN 10 and PN 16	DN 32	DN 40	DN 50
Screw diameter	M16		
Strength class	≥ 4.6		
Tightening torque	95 Nm		
Screw length	≥ 60 mm		≥ 65 mm

Flange-end pump PN 10 and PN 16	DN 65	DN 80	DN 100
Screw diameter	M16		
Strength class	≥ 4.6		
Tightening torque	95 Nm		
Screw length	≥ 65 mm	≥ 70 mm	

Installation steps

⚠ WARNING

The pipes can be hot. Injury may occur from burns!

- Wear protective gloves.

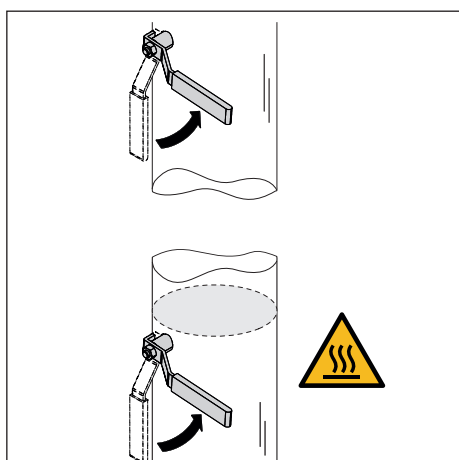


Fig. 6: Close shut-off device.

1. Close the shut-off devices in front of and behind the pump.

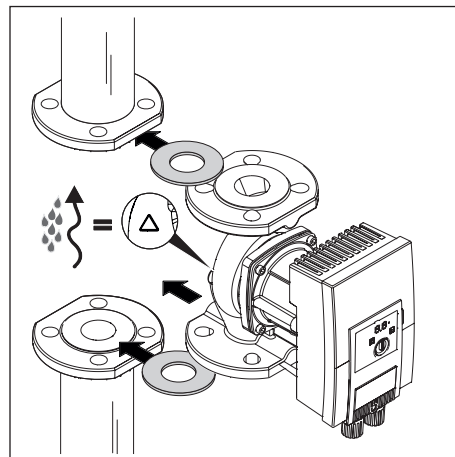


Fig. 7: Insert pump

2. Insert the pump in the pipe together with 2 suitable flat gaskets in such a way that the flange can be screwed to the pump inlet and outlet. The arrow on the pump housing must point in the direction of flow.

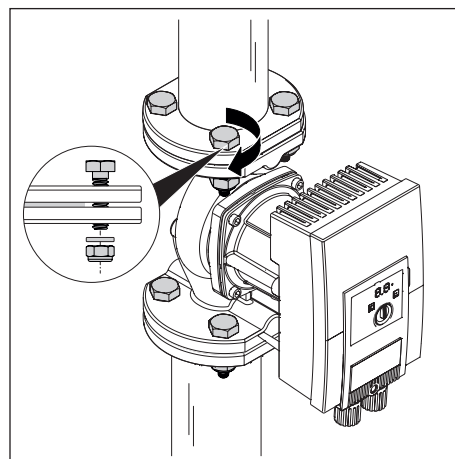


Fig. 8: Pump installation

3. Screw together flange with suitable screws and the supplied washers. Observe aforementioned tightening torques!

i Do not use a combination flange with PN 16!
Never interconnect 2 combination flanges.

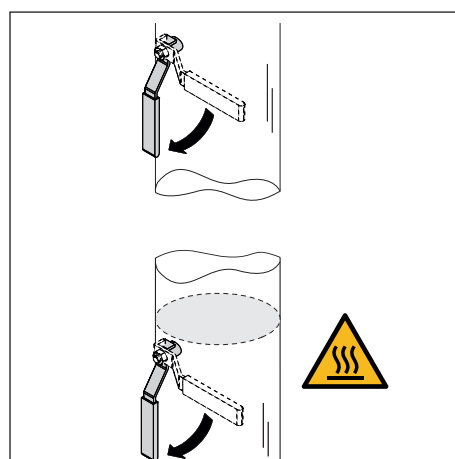


Fig. 9: Open the shut-off devices.

4. Open the shut-off devices in front of and behind the pump.
5. Check impermeability.

5.7.2 Install threaded pipe union pump

⚠ WARNING

The pipes can be hot. Injury may occur from burns!

- Wear protective gloves.

1. Install suitable threaded pipe union.

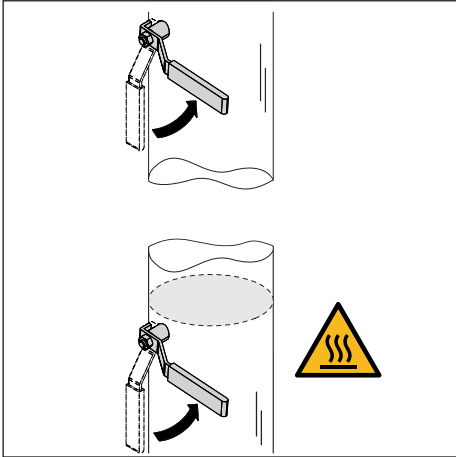


Fig. 10: Close shut-off device.

2. Close the shut-off devices in front of and behind the pump.

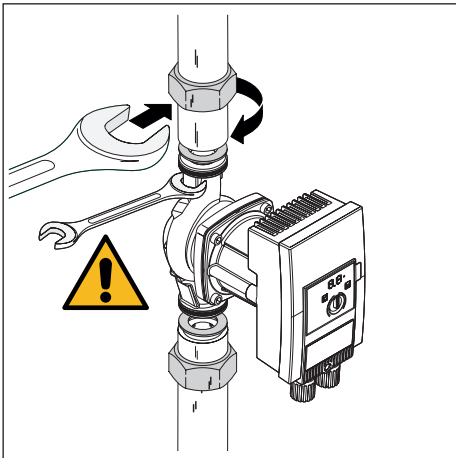


Fig. 11: Pump installation

3. Insert the supplied flat gaskets into the pump.

4. Screw together the pump with the union nuts. In doing so hold it exclusively against the flat faces on the pump housing.

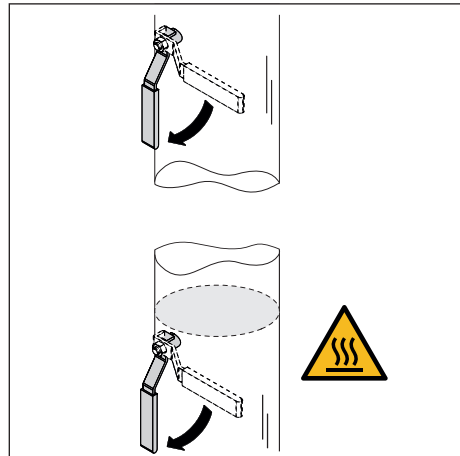


Fig. 12: Open the shut-off devices.

5. Open the shut-off devices in front of and behind the pump.
6. Check impermeability.

5.8 Insulate

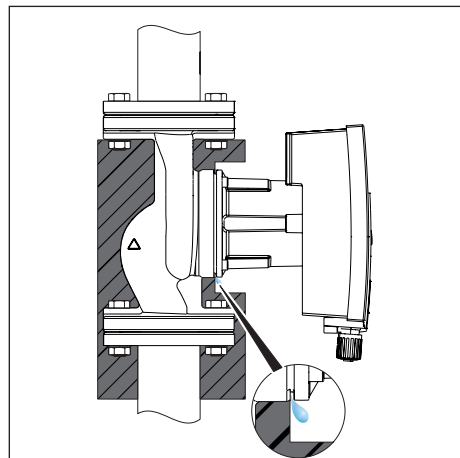


Fig. 13: Insulate, free up condensation drain

Heating applications with fluid temperature > 20 °C

1. Mount thermal insulation shell (accessories) onto pump housing.

Cooling and climate applications

1. Use standard, diffusion-proof insulation materials. Empty condensation drain

6 Connect

6.1 Personnel requisition

The electrical connection may only be performed by a qualified electrician.

6.2 Requirements

ATTENTION

Wrong connection of the pump leads to damage to the electronics.

- Observe voltage rating on the rating plate.
- Maximum back-up fuse: 10 A, inactive or circuit breaker with C characteristic
- Never connect to an uninterruptible power supply or IT-networks.
- During external connection of the pump deactivate a pulse of the voltage (for example phase angle control).
- Switching the pump via triacs/solid-state relays must be examined on a case-by-case basis.
- During deactivation with on-site power relay: Rated current ≥ 10 A, rated voltage 250 V AC
- Note switching frequency:
 - Switching on/off mains voltage $\leq 100/24$ h
 - $\leq 20/h$ at a switching frequency of 1 min between switching on/off via mains voltage
- Secure pump with a residual-current device (type A or B).
- Leakage current $I_{\text{eff}} \leq 3.5$ mA
- The electrical connection must be made via a fixed connecting cable equipped with a connector device or an all-pole switch with a contact opening width of at least 3 mm (VDE 0700/Part 1).
- To protect against leakage and for strain relief to the threaded cable connection use a connection pipe with sufficient outer diameter.
- Use a heat-resistant connecting cable where fluid temperatures exceed 90 °C.
- Lay the connection pipe in such a way that it touches neither the pipes nor the pump.

6.3 Connection options

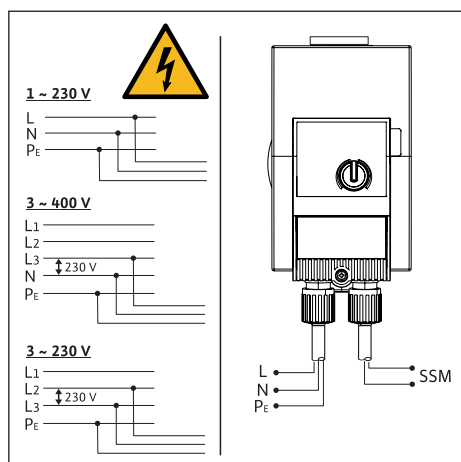


Fig. 14: Connection options

The pump can be connected to networks with the following voltage ratings:

- 1~ 230 V
- 3~ 400 V with neutral conductor
- 3~ 400 V without neutral conductor (upstream power transformer)
- 3~ 230 V

6.4 Double pumps

Only operate as main and standby pump with automatic fault-actuated switchover:

- Individually connect and secure both motors.
- Provide separate switchgear.
- Make the identical settings.

6.5 Collective fault signal (SSM)

The contact of the collective fault signal (potential-free normally closed contact) can be connected to a building automation system. Internal contact is closed in the following cases:

- The pump has zero current.
- There is no fault.
- The control module has failed.

DANGER

Danger to life through voltage transmission, if mains and SSM pipe are led together through a 5-wire cable.

- Do not connect SSM pipe to protective low voltage.
- Use 5 x 1.5 mm² cable.

Connection

- minimum 12 V DC, 10 mA
 - maximum 250 V AC, 1 A
- During connection of the SSM pipe to the network potential:
- SSM phase = live wire L1

6.6 Connect

DANGER

During connection of the pump risk of death from electric shock!

- Disconnect power supply before starting work.
- Only allow qualified electricians to carry out electrical connection.

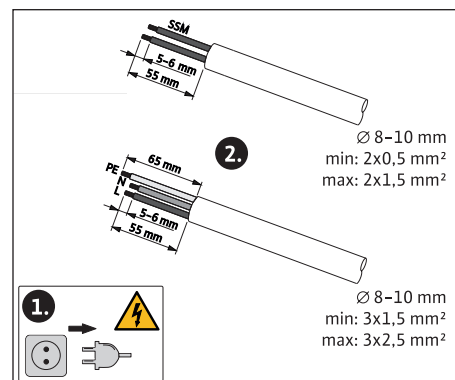


Fig. 15: Preparing the connection

1. Disconnect power supply.

2. Prepare pipes as per the instructions in the illustration.

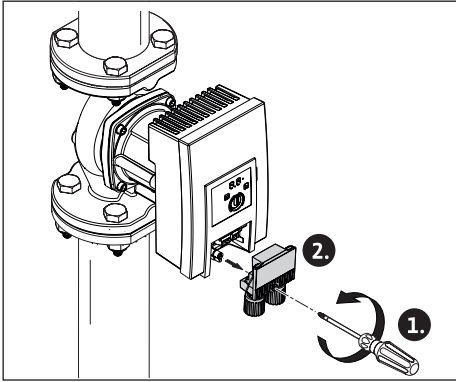


Fig. 16: Plug disassembly

3. Unscrew the screw from the plug.
4. Disassemble the plug.

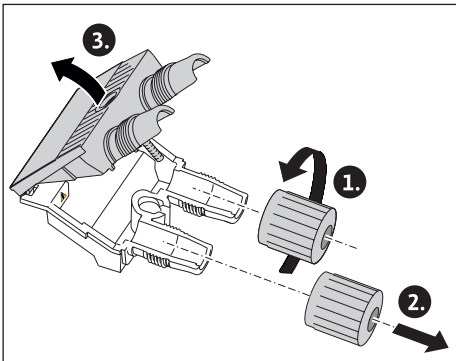


Fig. 17: Open the plug

5. Unscrew cable ducts.
6. Flip open the plug.

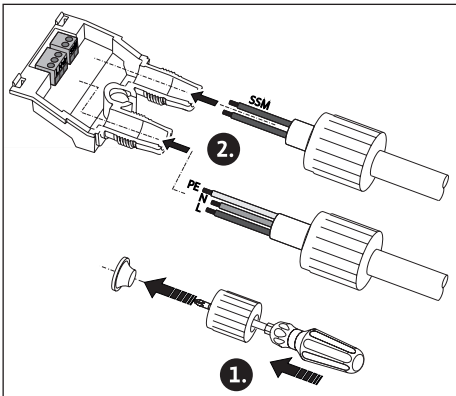


Fig. 18: Connect

7. Remove the elastic fastener from the cable ducts using a small screwdriver.
8. Guide the pipes through the cable ducts to the connection sockets.

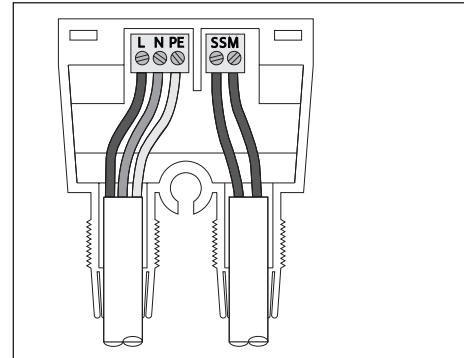


Fig. 19: Connect

9. Connect the pipes in the correct position.

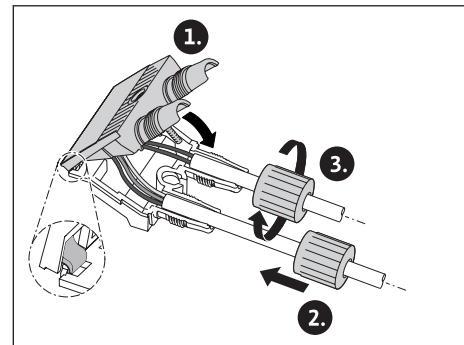


Fig. 20: Disassemble the plug

10. Close the plug and unscrew cable ducts.

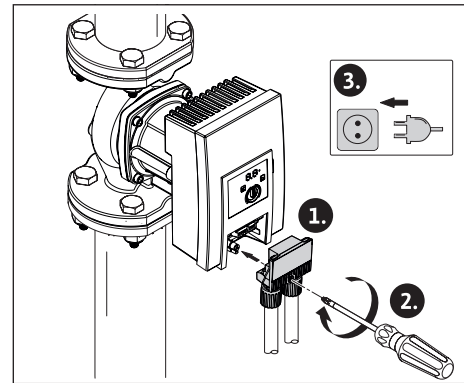


Fig. 21: Assemble the plug

11. Insert the plug and fasten with screw.
12. Restore power supply.

7 Put into operation

7.1 Venting

- Charge the system appropriately and ventilate.
 - ▶ The pump is self-ventilating.

7.2 Flush

ATTENTION

While using liquids with admixtures property damage can occur due to the accumulation of chemicals.

- Flush out the pump before pouring in, refilling or replacing fluid.
- Remove pump before change in pressure flushes.
- Do not perform any chemical flushes.

7.3 Select operating mode

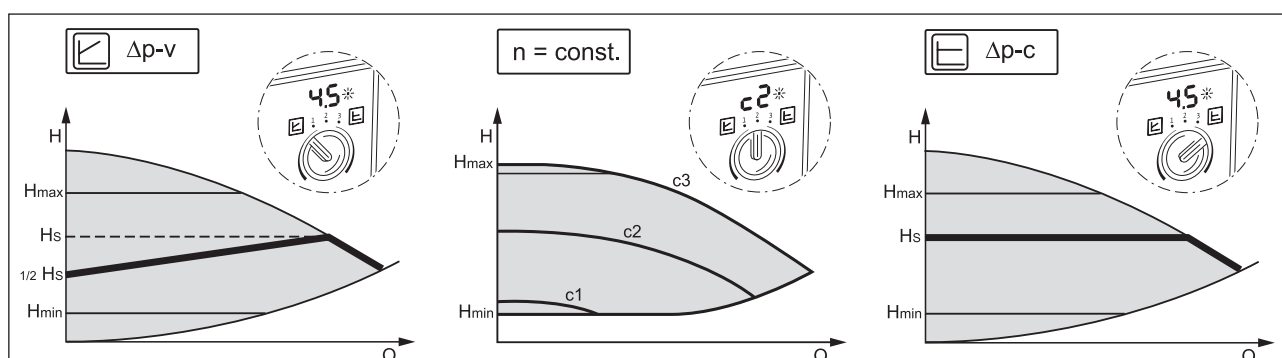


Fig. 22: Select operating mode

Operating mode	System type	System properties
Variable differential pressure $\Delta p-v$	Heating/ventilation/air-conditioning with resistor in transfer section (space heater and thermostatic valve) $\leq 25\%$ of the total resistance	<ul style="list-style-type: none"> ■ Dual-pipes systems with thermostat/zone valves and low valve authority: <ul style="list-style-type: none"> – $HN > 4$ m – Very long outlet pipes – Heavily throttled mains stop valves – Sectional differential pressure control – High pressure losses in those system sections that are flowed through by the total volume flow (boiler, refrigerating machine, potentially heat exchanger, distribution pipes to the first junction) ■ Primary circuits with high pressure loss
Constant speed (c1, c2, c3)	Heating/ventilation/air-conditioning	<ul style="list-style-type: none"> ■ Constant flow rate ■ Hot water priority (c3) ■ Manual setback operation via speed stage alignment (c1)
Constant differential pressure $\Delta p-c$	Heating/ventilation/air-conditioning with resistor in the generator/distributor circuit $\leq 25\%$ of the total resistance in transfer section (space heater and thermostatic valve)	<ul style="list-style-type: none"> ■ Dual-pipes systems with thermostat/zone valves and high valve authority: <ul style="list-style-type: none"> – $HN \leq 2$ m – Converted gravity system – Conversion to large temperature storage (e.g. long-distance heating) – Low pressure losses in those system sections that are flowed through by the total volume flow (boiler, refrigerating machine, potentially heat exchanger, distribution pipes to the first junction) ■ Primary circuits with minor pressure loss ■ Underfloor heating with thermostat and zone valve ■ One-pipe system with thermostat and zone valve

7.4 Adjust operating mode and pump output

Factory setting

The pumps are delivered in control mode $\Delta p-v$. The required delivery head is preset according to pump type at between $\frac{1}{2}$ and $\frac{3}{4}$ of the maximal required delivery head (see pump data in the catalogue).

Adjust operating mode and pump output according to system requirements.

Adjust the settings

In the plan the unit is displayed at a certain duty point (hydraulic full load point at calculated maximum heating load).

When commissioning, adjust the pump output (delivery head) to the corresponding duty point. Select the alternative operating mode with constant speed.

1. Adjust desired operating mode with operating knob.
 - ▶ The LED display shows the operating mode (c1, c2, c3) or the setpoint value in m (at $\Delta p-c$, $\Delta p-v$).
2. Adjust the setpoint by turning the operating knob (only at $\Delta p-c$, $\Delta p-v$).

8 Troubleshoot

8.1 Personnel requisition

The troubleshooting must only be performed by a qualified specialist, work on the electrical connection must only be performed by a qualified electrician.

8.2 Safety during troubleshooting



Danger to life due to touch voltage after switching off the pump.

- Disconnect all-pole power supply before starting work.
- Begin work at least 5 minutes after disconnecting the power supply.

8.3 Error table

Fault	Cause	Correction
Pump is not running with switched-on power supply.	Fuse protection defect.	Check fuse.
	No voltage.	Check voltage.
Pump makes noises.	Cavitation due to insufficient suction pressure.	Increase system pressure. Observe permissible pressure range.
		Check the delivery head and adjust where necessary.
The structure is not warm.	Heat output of the heating surfaces too low.	Increase setpoint.
		Adjust operating mode $\Delta p-c$.

8.4 Fault signals

- A signal is displayed.
- Failure LED lights up.
- The SSM contact opens.
- Switch off the pump and try a restart at regular intervals. During E10 switch off the pump permanently after 10 minutes.

No.	Fault	Cause	Remedy
E04	Undervoltage	Power supply on mains side too low.	Check mains voltage.
E05	Overvoltage	Power supply on mains side too high.	Check mains voltage.
E09 ¹⁾	Turbine operation	Pump is operated backwards.	Check the flow and install non-return valve if necessary.
E10	Blocking	Rotor blocked.	Contact customer service.
E21 ²⁾	Overload	Slow motor.	Contact customer service.
E23	Short-circuit	Motor current too high.	Contact customer service.
E25	Contacting/winding	Winding defective.	Contact customer service.
E30	Excessive temperature of module	Interior of module too warm.	Check operating conditions.
E31	Excessive power section temperature	Ambient temperature too high.	Check operating conditions.
E36	Electronics errors	Electronics defective.	Contact customer service.

If a fault cannot be repaired, contact a qualified specialist or customer service.

8.5 Warning signals

- A signal is displayed.
- Failure LED does not light up.
- The SSM contact does not open.
- The pump is running at reduced performance.

No.	Fault	Cause	Remedy
E07	Generator operation	Pump hydraulics is perfused.	Check unit.
E11	Dry run	Air in the pump.	Check liquid pressure and volume.
E21 ²⁾	Overload	Slow motor.	Check ambient conditions.

¹⁾ only for pumps with $P_1 \geq 200$ W

²⁾ in addition on the LED display the error message LED shows a continuous red light.

9 Spare parts

Obtain spare parts only from a qualified specialist or customer service.

10 Disposal

ATTENTION

Improper disposal leads to environmental damage.

- Do not dispose of the pump in household waste.
- Recycle the pump.
- If in doubt, contact local authorities and specialist waste management companies.



Further recycling information at www.wilo-recycling.com.

**EU/EG KONFORMITÄTSERKLÄRUNG
EU/EC DECLARATION OF CONFORMITY
DECLARATION DE CONFORMITE UE/CE**

Als Hersteller erklären wir hiermit, dass die Nassläufer-Umwälzpumpen der Baureihen
We, the manufacturer, declare that these glandless circulating pump types of the series
Nous, fabricant, déclarons que les types de circulateurs des séries

**Yonos MAXO
Yonos MAXO-D**

(Die Seriennummer ist auf dem Typenschild des Produktes nach Punkten b) & c) von §1.7.4.2 und §1.7.3 des Anhanges I der Maschinenrichtlinie angegeben. / The serial number is marked on the product site plate according to points b) & c) of §1.7.4.2 and §1.7.3 of the annex I of the Machinery directive. / Le numéro de série est inscrit sur la plaque signalétique du produit en accord avec les points b) & c) du §1.7.4.2 et du §1.7.3 de l'annexe I de la Directive Machines.)

in der gelieferten Ausführung folgenden einschlägigen Bestimmungen entsprechen :
In their delivered state comply with the following relevant directives :
dans leur état de livraison sont conformes aux dispositions des directives suivantes :

- _ Maschinenrichtlinie 2006/42/EG**
- _ Machinery 2006/42/EC**
- _ Machines 2006/42/CE**

und gemäss Anhang 1, §1.5.1, werden die Schutzziele der Niederspannungsrichtlinie 2014/35/EU ab 20 April 2016 eingehalten
and according to the annex 1, §1.5.1, comply with the safety objectives of the Low Voltage Directive 2014/35/EU from April 20th 2016
et, suivant l'annexe 1, §1.5.1, respectent les objectifs de sécurité de la Directive Basse Tension 2014/35/UE à partir du 20/04/2016

- _ Elektromagnetische Verträglichkeit-Richtlinie 2014/30/EU ab 20 April 2016**
- _ Electromagnetic compatibility 2014/30/EU from April 20th 2016**
- _ Compabilité électromagnétique 2014/30/UE à partir du 20 avril 2016**

- _ Richtlinie energieverbrauchsrelevanter Produkte 2009/125/EG**
- _ Energy-related products 2009/125/EC**
- _ Produits liés à l'énergie 2009/125/CE**

Nach den Ökodesign-Anforderungen der Verordnung 641/2009 für Nassläufer-Umwälzpumpen , die durch die Verordnung 622/2012 geändert wird
This applies according to eco-design requirements of the regulation 641/2009 for glandless circulators amended by the regulation 622/2012
suivant les exigences d'éco-conception du règlement 641/2009 pour les circulateurs, amendé par le règlement 622/2012

und entsprechender nationaler Gesetzgebung,
and with the relevant national legislation,
et aux législations nationales les transposant,

sowie auch den Bestimmungen zu folgenden harmonisierten europäischen Normen :
comply also with the following relevant harmonized European standards :
sont également conformes aux dispositions des normes européennes harmonisées suivantes :

EN 809+A1

EN 60335-2-51

**EN 16297-1
EN 16297-2**

EN 61800-3+A1:2012

Bevollmächtigter für die Zusammenstellung der technischen Unterlagen ist:

Person authorized to compile the technical file is :

Personne autorisée à constituer le dossier technique est :

Dortmund,

Digital unterschrieben
von
holger.herchenhein@wilo.
com
Datum: 2016.06.16
08:20:08 +02'00'

**H. HERCHENHEIN
Senior Vice President - Group ITQ**

Division HVAC
Quality Manager - PBU Circulating Pumps
WILO SE
Nortkirchenstraße 100
D-44263 Dortmund

wilo

**WILO SE
Nortkirchenstraße 100
44263 Dortmund - Germany**

N°2117840.03 (CE-A-S n°4178941)

<p align="center">(BG) - Български език ДЕКЛАРАЦИЯ ЗА СЪОТЕТСТВИЕ ЕО</p> <p>WILO SE декларира, че продуктите посочени в настоящата декларация съответстват на разпоредбите на следните европейски директиви и приелите ги национални законодателства:</p> <p>Машини 2006/42/ЕО ; Електромагнитна съвместимост 2014/30/ЕО ; Продукти, свързани с енергопотреблението 2009/125/ЕО</p> <p>както и на хармонизираните европейски стандарти, упоменати на предишната страница.</p>	<p align="center">(CS) - Čeština ES PROHLÁŠENÍ O SHODĚ</p> <p>WILO SE prohlašuje, že výrobky uvedené v tomto prohlášení odpovídají ustanovením níže uvedených evropských směrnic a národním právním předpisům, které je přijímají:</p> <p>Stroje 2006/42/ES ; Elektromagnetická Kompatibilita 2014/30/ES ; Výrobků spojených se spotřebou energie 2009/125/ES</p> <p>a rovněž splňují požadavky harmonizovaných evropských norem uvedených na předcházející stránce.</p>
<p align="center">(DA) - Dansk EF-OVERENSSTEMMELSESERKLÆRING</p> <p>WILO SE erklærer, at produkterne, som beskrives i denne erklæring, er i overensstemmelse med bestemmelserne i følgende europæiske direktiver, samt de nationale lovgivninger, der gennemfører dem:</p> <p>Maskiner 2006/42/EF ; Elektromagnetisk Kompatibilitet 2014/30/EF ; Energirelaterede produkter 2009/125/EF</p> <p>De er ligeledes i overensstemmelse med de harmoniserede europæiske standarder, der er anført på forrige side.</p>	<p align="center">(EL) - Ελληνικά ΔΗΛΩΣΗ ΣΥΜΜΟΡΦΩΣΗΣ ΕΚ</p> <p>WILO SE δηλώνει ότι τα προϊόντα που ορίζονται στην παρούσα ευρωπαϊκή δήλωση είναι σύμφωνα με τις διατάξεις των παρακάτω οδηγιών και τις εθνικές νομοθεσίες στις οποίες έχει μεταφερθεί:</p> <p>Μηχανήματα 2006/42/ΕΚ ; Ηλεκτρομαγνητικής συμβατότητας 2014/30/ΕΚ ; Συνδεδεμένα με την ενέργεια προϊόντα 2009/125/ΕΚ</p> <p>και επίσης με τα εξής εναρμονισμένα ευρωπαϊκά πρότυπα που αναφέρονται στην προηγούμενη σελίδα.</p>
<p align="center">(ES) - Español DECLARACIÓN CE DE CONFORMIDAD</p> <p>WILO SE declara que los productos citados en la presenta declaración están conformes con las disposiciones de las siguientes directivas europeas y con las legislaciones nacionales que les son aplicables :</p> <p>Máquinas 2006/42/CE ; Compatibilidad Electromagnética 2014/30/CE ; Productos relacionados con la energía 2009/125/CE</p> <p>Y igualmente están conformes con las disposiciones de las normas europeas armonizadas citadas en la página anterior.</p>	<p align="center">(ET) - Eesti keel EÜ VASTAVUSDEKLARATSIOONI</p> <p>WILO SE kinnitab, et selles vastavustunnistuses kirjeldatud tooted on kooskõlas alljärgnevat Euroopa direktiivide sätetega ning riiklike seadusandlustega, mis nimetatud direktiivid üle on võtnud:</p> <p>Masinaid 2006/42/EÜ ; Elektromagnetilist Ühilduvust 2014/30/EÜ ; Energiatõrjuga toodete 2009/125/EÜ</p> <p>Samuti on tooted kooskõlas eelmisel leheküljel ära toodud harmoniseeritud Euroopa standarditega.</p>
<p align="center">(FI) - Suomen kieli EY-VAATIMUSTENMUKAISUUSVAKUUTUS</p> <p>WILO SE vakuuttaa, että tässä vakuutuksessa kuvatut tuotteet ovat seuraavien eurooppalaisten direktiivien määräysten sekä niihin sovellettavien kansallisten lakiasetusten mukaisia:</p> <p>Koneet 2006/42/EY ; Sähkömagneettinen Yhteensopivuus 2014/30/EY ; Energiaan liittyvien tuotteiden 2009/125/EY</p> <p>Lisäksi ne ovat seuraavien edellisellä sivulla mainittujen yhdenmukaistettujen eurooppalaisten normien mukaisia.</p>	<p align="center">(GA) - Gaeilge EC DEARBHÚ COMHLÍONTA</p> <p>WILO SE ndearbhaíonn an cur síos ar na táirgí atá i ráiteas seo, siad i gcomhréir leis na forálacha atá sna treoracha seo a leanas na hEorpa agus leis na dlíthe náisiúnta is infheidhme orthu:</p> <p>Innealra 2006/42/EC ; Comhoiriúnacht Leictreamaighnéadach 2014/30/EC ; Fuinneamh a bhaineann le táirgí 2009/125/EC</p> <p>Agus siad i gcomhréir le forálacha na caighdeáin chomhchuibhithe na hEorpa dá dtagraítear sa leathanach roimhe seo.</p>
<p align="center">(HR) - Hrvatski EZ IZJAVA O SUKLADNOSTI</p> <p>WILO SE izjavljuje da su proizvodi navedeni u ovoj izjavi u skladu sa sljedećim prihvaćenim europskim direktivama i nacionalnim zakonima:</p> <p>EZ smjernica o strojevima 2006/42/EZ ; Elektromagnetna kompatibilnost - smjernica 2014/30/EZ ; Smjernica za proizvode relevantne u pogledu potrošnje energije 2009/125/EZ</p> <p>i usklađenim europskim normama navedenim na prethodnoj stranici.</p>	<p align="center">(HU) - Magyar EK-MEGFELELŐSÉGI NYILATKOZAT</p> <p>WILO SE kijelenti, hogy a jelen megfelelőségi nyilatkozatban megjelölt termékek megfelelnek a következő európai irányelvek előírásainak, valamint azok nemzeti jogrendbe átültetett rendelkezéseinek:</p> <p>Gépek 2006/42/EK ; Elektromágneses összeférhetőségre 2014/30/EK ; Energiával kapcsolatos termékek 2009/125/EK</p> <p>valamint az előző oldalon szereplő, harmonizált európai szabványoknak.</p>
<p align="center">(IS) - Íslenska EB LEYFISYFIRLÝSING</p> <p>WILO SE lýsir því yfir að vörurnar sem um getur í þessari yfirlýsingu eru í samræmi við eftirfarandi tilskipunum ESB og landslögum hafa samþykkt:</p> <p>Vélartilskipun 2006/42/EB ; Rafseguls-samhæfni-tilskipun 2014/30/EB ; Tilskipun varðandi vörur tengdar orkunotkun 2009/125/EB</p> <p>og samhæfða evrópska staðla sem nefnd eru í fyrri síðu.</p>	<p align="center">(IT) - Italiano DICHIARAZIONE CE DI CONFORMITÀ</p> <p>WILO SE dichiara che i prodotti descritti nella presente dichiarazione sono conformi alle disposizioni delle seguenti direttive europee nonché alle legislazioni nazionali che le traspongono :</p> <p>Macchine 2006/42/CE ; Compatibilità Elettromagnetica 2014/30/CE ; Prodotti connessi all'energia 2009/125/CE</p> <p>E sono pure conformi alle disposizioni delle norme europee armonizzate citate a pagina precedente.</p>
<p align="center">(LT) - Lietuvių kalba EB ATITIKTIES DEKLARACIJA</p> <p>WILO SE pareiškia, kad šioje deklaracijoje nurodyti gaminiai atitinka šių Europos direktyvų ir jas perkeliančių nacionalinių įstatymų nuostatus:</p> <p>Mašinos 2006/42/EB ; Elektromagnetinis Suderinamumas 2014/30/EB ; Energija susijusiems gaminiams 2009/125/EB</p> <p>ir taip pat harmonizuotas Europos normas, kurios buvo cituotos ankstesniame puslapyje.</p>	<p align="center">(LV) - Latviešu valoda EK ATBILSTĪBAS DEKLARĀCIJU</p> <p>WILO SEdeklarē, ka izstrādājumi, kas ir nosaukti šajā deklarācijā, atbilst šeit uzskaitīto Eiropas direktīvu nosacījumiem, kā arī atsevišķu valstu likumiem, kuros tie ir ietverti:</p> <p>Mašīnas 2006/42/EK ; Elektromagnētiskās Saderības 2014/30/EK ; Enerģiju saistītiem ražojumiem 2009/125/EK</p> <p>un saskaņotajiem Eiropas standartiem, kas minēti iepriekšējā lappusē.</p>

<p align="center">(MT) - Malti DIKJARAZZJONI KE TA' KONFORMITÀ</p> <p>WILO SE jiddikjara li l-prodotti speċifikati f'din id-dikjarazzjoni huma konformi mad-direttivi Ewropej li jsegwu u mal-leġislazzjonijiet nazzjonali li japplikawhom:</p> <p>Makkinarju 2006/42/KE ; Kompatibbiltà Elettromanjetika 2014/30/KE ; Prodotti relatati mal-enerġija 2009/125/KE</p> <p>kif ukoll man-normi Ewropej armonizzati li jsegwu imsemmija fil-paġna preċedenti.</p>	<p align="center">(NL) - Nederlands EG-VERKLARING VAN OVEREENSTEMMING</p> <p>WILO SE verklaart dat de in deze verklaring vermelde producten voldoen aan de bepalingen van de volgende Europese richtlijnen evenals aan de nationale wetgevingen waarin deze bepalingen zijn overgenomen:</p> <p>Machines 2006/42/EG ; Elektromagnetische Compatibiliteit 2014/30/EG ; Energiegerelateerde producten 2009/125/EG</p> <p>De producten voldoen eveneens aan de geharmoniseerde Europese normen die op de vorige pagina worden genoemd.</p>
<p align="center">(NO) - Norsk EU-OVERENSSTEMMELSESERKLAERING</p> <p>WILO SE erklærer at produktene nevnt i denne erklæringen er i samsvar med følgende europeiske direktiver og nasjonale lover:</p> <p>EG-Maskindirektiv 2006/42/EG ; EG-EMV-Elektromagnetisk kompatibilitet 2014/30/EG ; Direktiv energirelaterte produkter 2009/125/EF</p> <p>og harmoniserte europeiske standarder nevnt på forrige side.</p>	<p align="center">(PL) - Polski DEKLARACJA ZGODNOŚCI WE</p> <p>WILO SE oświadcza, że produkty wymienione w niniejszej deklaracji są zgodne z postanowieniami następujących dyrektyw europejskich i transponującymi je przepisami prawa krajowego:</p> <p>Maszyn 2006/42/WE ; Kompatybilności Elektromagnetycznej 2014/30/WE ; Produktów związanych z energią 2009/125/WE</p> <p>oraz z następującymi normami europejskich zharmonizowanymi podanymi na poprzedniej stronie.</p>
<p align="center">(PT) - Português DECLARAÇÃO CE DE CONFORMIDADE</p> <p>WILO SE declara que os materiais designados na presente declaração obedecem às disposições das diretivas europeias e às legislações nacionais que as transcrevem :</p> <p>Máquinas 2006/42/CE ; Compatibilidade Electromagnética 2014/30/CE ; Produtos relacionados com o consumo de energia 2009/125/CE</p> <p>E obedecem também às normas europeias harmonizadas citadas na página precedente.</p>	<p align="center">(RO) - Română DECLARAȚIE DE CONFORMITATE CE</p> <p>WILO SE declară că produsele citate în prezenta declarație sunt conforme cu dispozițiile directivelor europene următoare și cu legislațiile naționale care le transpun :</p> <p>Mașini 2006/42/CE ; Compatibilitate Electromagnetică 2014/30/CE ; Produselor cu impact energetic 2009/125/CE</p> <p>și, de asemenea, sunt conforme cu normele europene armonizate citate în pagina precedentă.</p>
<p align="center">(RU) - русский язык Декларация о соответствии Европейским нормам</p> <p>WILO SE заявляет, что продукты, перечисленные в данной декларации о соответствии, отвечают следующим европейским директивам и национальным предписаниям:</p> <p>Директива ЕС по машинному оборудованию 2006/42/ЕС ; Директива ЕС по электромагнитной совместимости 2014/30/ЕС ; Директива о продукции, связанной с энергопотреблением 2009/125/ЕС</p> <p>и гармонизированным европейским стандартам, упомянутым на предыдущей странице.</p>	<p align="center">(SK) - Slovenčina ES VYHLÁSENIE O ZHODE</p> <p>WILO SE čestne prehlasuje, že výrobky ktoré sú predmetom tejto deklarácie, sú v súlade s požiadavkami nasledujúcich európskych direktív a odpovedajúcich národných legislatívnych predpisov:</p> <p>Strojových zariadeniach 2006/42/ES ; Elektromagnetickú Kompatibilitu 2014/30/ES ; Energeticky významných výrobkov 2009/125/ES</p> <p>ako aj s harmonizovanými európskych normami uvedenými na predchádzajúcej strane.</p>
<p align="center">(SL) - Slovenščina ES-IZJAVA O SKLADNOSTI</p> <p>WILO SE izjavlja, da so izdelki, navedeni v tej izjavi, v skladu z določili naslednjih evropskih direktiv in z nacionalnimi zakonodajami, ki jih vsebujejo:</p> <p>Stroji 2006/42/ES ; Elektromagnetno Združljivostjo 2014/30/ES ; Izdelkov, povezanih z energijo 2009/125/ES</p> <p>pa tudi z usklajenimi evropskih standardi, navedenimi na prejšnji strani.</p>	<p align="center">(SV) - Svenska EG-FÖRSÄKRAN OM ÖVERENSSTÄMMELSE</p> <p>WILO SE intygar att materialet som beskrivs i följande intyg överensstämmer med bestämmelserna i följande europeiska direktiv och nationella lagstiftningar som inför dem:</p> <p>Maskiner 2006/42/EG ; Elektromagnetisk Kompatibilitet 2014/30/EG ; Energirelaterade produkter 2009/125/EG</p> <p>Det överensstämmer även med följande harmoniserade europeiska standarder som nämnts på den föregående sidan.</p>
<p align="center">(TR) - Türkçe CE UYGUNLUK TEYİD BELGESİ</p> <p>WILO SEbu belgede belirtilen ürünlerin aşağıdaki Avrupa yönetmeliklerine ve ulusal kanunlara uygun olduğunu beyan etmektedir:</p> <p>Makine Yönetmeliği 2006/42/AT ; Elektromanyetik Uyumluluk Yönetmeliği 2014/30/AT ; Eko Tasarım Yönetmeliği 2009/125/AT</p> <p>ve önceki sayfada belirtilen uyumlaştırılmış Avrupa standartlarına.</p>	

Wilo – International (Subsidiaries)

Argentina

WILO SALMSON
Argentina S.A.
C1295ABI Ciudad
Autónoma de Buenos Aires
T +54 11 4361 5929
carlos.musich@wilo.com.ar

Australia

WILO Australia Pty Limited
Murrarie, Queensland, 4172
T +61 7 3907 6900
chris.dayton@wilo.com.au

Austria

WILO Pumpen Österreich
GmbH
2351 Wiener Neudorf
T +43 507 507-0
office@wilo.at

Azerbaijan

WILO Caspian LLC
1065 Baku
T +994 12 5962372
info@wilo.az

Belarus

WILO Bel IOOO
220035 Minsk
T +375 17 3963446
wilo@wilo.by

Belgium

WILO NV/SA
1083 Ganshoren
T +32 2 4823333
info@wilo.be

Bulgaria

WILO Bulgaria EOOD
1125 Sofia
T +359 2 9701970
info@wilo.bg

Brazil

WILO Comercio e
Importacao Ltda
Jundiaí – São Paulo – Brasil
13.213-105
T +55 11 2923 9456
wilo@wilo-brasil.com.br

Canada

WILO Canada Inc.
Calgary, Alberta T2A 5L7
T +1 403 2769456
info@wilo-canada.com

China

WILO China Ltd.
101300 Beijing
T +86 10 58041888
wilobj@wilo.com.cn

Croatia

WILO Hrvatska d.o.o.
10430 Samobor
T +38 51 3430914
wilo-hrvatska@wilo.hr

Cuba

WILO SE
Oficina Comercial
Edificio Simona Apto 105
Siboney, La Habana. Cuba
T +53 5 2795135
T +53 7 272 2330
raul.rodriguez@wilo-cuba.com

Czech Republic

WILO CS, s.r.o.
25101 Cestlice
T +420 234 098711
info@wilo.cz

Denmark

WILO Danmark A/S
2690 Karlslunde
T +45 70 253312
wilo@wilo.dk

Estonia

WILO Eesti OÜ
12618 Tallinn
T +372 6 509780
info@wilo.ee

Finland

WILO Finland OY
02330 Espoo
T +358 207401540
wilo@wilo.fi

France

Wilo Salmson France S.A.S.
53005 Laval Cedex
T +33 2435 95400
info@wilo.fr

Great Britain

WILO (U.K.) Ltd.
Burton Upon Trent
DE14 2WJ
T +44 1283 523000
sales@wilo.co.uk

Greece

WILO Hellas SA
4569 Anixi (Attika)
T +302 10 6248300
wilo.info@wilo.gr

Hungary

WILO Magyarország Kft
2045 Törökbálint
(Budapest)
T +36 23 889500
wilo@wilo.hu

India

Wilo Mather and Platt Pumps
Private Limited
Pune 411019
T +91 20 27442100
services@matherplatt.com

Indonesia

PT. WILO Pumps Indonesia
Jakarta Timur, 13950
T +62 21 7247676
citrawilo@cbn.net.id

Ireland

WILO Ireland
Limerick
T +353 61 227566
sales@wilo.ie

Italy

WILO Italia s.r.l.
Via Novegro, 1/A20090
Segrate MI
T +39 25538351
wilo.italia@wilo.it

Kazakhstan

WILO Central Asia
050002 Almaty
T +7 727 312 40 10
info@wilo.kz

Korea

WILO Pumps Ltd.
20 Gangseo, Busan
T +82 51 950 8000
wilo@wilo.co.kr

Latvia

WILO Baltic SIA
1019 Riga
T +371 6714-5229
info@wilo.lv

Lebanon

WILO LEBANON SARL
Jdeideh 1202 2030
Lebanon
T +961 1 888910
info@wilo.com.lb

Lithuania

WILO Lietuva UAB
03202 Vilnius
T +370 5 2136495
mail@wilo.lt

Morocco

WILO Maroc SARL
20250 Casablanca
T +212 (0) 5 22 66 09 24
contact@wilo.ma

The Netherlands

WILO Nederland B.V.
1551 NA Westzaan
T +31 88 9456 000
info@wilo.nl

Norway

WILO Norge AS
0975 Oslo
T +47 22 804570
wilo@wilo.no

Poland

WILO Polska Sp. z o.o.
5-506 Lesznowola
T +48 22 7026161
wilo@wilo.pl

Portugal

Bombas Wilo-Salmson
Sistemas Hidraulicos Lda.
4475-330 Maia
T +351 22 2080350
bombas@wilo.pt

Romania

WILO Romania s.r.l.
077040 Com. Chiajna
Jud. Ilfov
T +40 21 3170164
wilo@wilo.ro

Russia

WILO Rus ooo
123592 Moscow
T +7 495 7810690
wilo@wilo.ru

Saudi Arabia

WILO Middle East KSA
Riyadh 11465
T +966 1 4624430
wshoula@wataniaind.com

Serbia and Montenegro

WILO Beograd d.o.o.
11000 Beograd
T +381 11 2851278
office@wilo.rs

Slovakia

WILO CS s.r.o., org. Zložka
83106 Bratislava
T +421 2 33014511
info@wilo.sk

Slovenia

WILO Adriatic d.o.o.
1000 Ljubljana
T +386 1 5838130
wilo.adriatic@wilo.si

South Africa

Wilo Pumps SA Pty LTD
1685 Midrand
T +27 11 6082780
patrick.hulley@salmson.co.za

Spain

WILO Ibérica S.A.
8806 Alcalá de Henares
(Madrid)
T +34 91 8797100
wilo.iberica@wilo.es

Sweden

WILO NORDIC AB
35033 Växjö
T +46 470 727600
wilo@wilo.se

Switzerland

Wilo Schweiz AG
4310 Rheinfelden
T +41 61 836 80 20
info@wilo.ch

Taiwan

WILO Taiwan CO., Ltd.
24159 New Taipei City
T +886 2 2999 8676
nelson.wu@wilo.com.tw

Turkey

WILO Pompa Sistemleri
San. ve Tic. A.Ş.
34956 İstanbul
T +90 216 2509400
wilo@wilo.com.tr

Ukraine

WILO Ukraina t.o.w.
08130 Kiev
T +38 044 3937384
wilo@wilo.ua

United Arab Emirates

WILO Middle East FZE
Jebel Ali Free zone – South
PO Box 262720 Dubai
T +971 4 880 91 77
info@wilo.ae

USA

WILO USA LLC
Rosemont, IL 60018
T +1 866 945 6872
info@wilo-usa.com

Vietnam

WILO Vietnam Co Ltd.
Ho Chi Minh City, Vietnam
T +84 8 38109975
nkminh@wilo.vn

wilo

Pioneering for You

WILO SE
Nortkirchenstraße 100
D-44263 Dortmund
Germany
T +49(0)231 4102-0
F +49(0)231 4102-7363
wilo@wilo.com
www.wilo.com