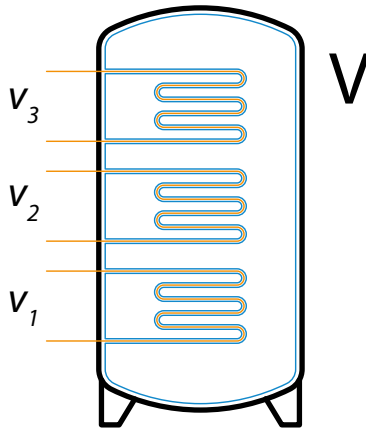


MEASUREMENTS TABLE

for the purposes of the Directive (ErP) 2009/125 / EC

Accumulators/Sanitary Hot Water boilers



V = Total volume
of sanitary accumulator

$V_1; V_2; V_3$ = Total volume
of the exchanger
and its support structure

Pag.	Code	Description	Energetic Class	Dissipation S [W]	Capacity			
					V [Lt]	v1 [Lt]	v2 [Lt]	v3 [Lt]
10 - 13	SFI00150R	Stainless steel boiler AISI 316L with a single fixed coil	B	49,7	148,0	8,3	-	-
	SFI00200R	Stainless steel boiler AISI 316L with a single fixed coil	B	56,7	189,8	8,8	-	-
	SFI00300R	Stainless steel boiler AISI 316L with a single fixed coil	B	68,2	290,3	12,7	-	-
	SFI00400R	Stainless steel boiler AISI 316L with a single fixed coil	B	72,0	414,9	15,7	-	-
	SFI00500R	Stainless steel boiler AISI 316L with a single fixed coil	B	80,6	500,3	19,1	-	-
	SFI00800R	Stainless steel boiler AISI 316L with a single fixed coil	C	105,9	749,8	26,5	-	-
	SFI01000R	Stainless steel boiler AISI 316L with a single fixed coil	C	109,7	931,5	29,4	-	-
	SFI01500R	Stainless steel boiler AISI 316L with a single fixed coil	C	132,3	1474,3	36,3	-	-
	SFI02000R	Stainless steel boiler AISI 316L with a single fixed coil	C	142,5	1951,9	47,0	-	-
	SFI00800F	Stainless steel boiler AISI 316L with a single fixed coil	D	148,2	749,8	26,5	-	-
	SFI01000F	Stainless steel boiler AISI 316L with a single fixed coil	D	163,6	931,5	29,4	-	-
	SFI01500F	Stainless steel boiler AISI 316L with a single fixed coil	D	198,6	1474,3	36,3	-	-
	SFI02000F	Stainless steel boiler AISI 316L with a single fixed coil	D	228,4	1951,9	47,0	-	-
	10 - 13	DSFI00200R	Stainless steel boiler AISI 316L with double fixed coil	B	56,7	189,8	8,8	4,9
DSFI00300R		Stainless steel boiler AISI 316L with double fixed coil	B	68,2	290,3	12,7	8,3	-
DSFI00400R		Stainless steel boiler AISI 316L with double fixed coil	B	72,0	414,9	15,7	8,8	-
DSFI00500R		Stainless steel boiler AISI 316L with double fixed coil	B	80,6	500,3	19,1	10,8	-
DSFI00800R		Stainless steel boiler AISI 316L with double fixed coil	C	105,9	749,8	26,5	14,7	-
DSFI01000R		Stainless steel boiler AISI 316L with double fixed coil	C	109,7	931,5	29,4	18,6	-
DSFI01500R		Stainless steel boiler AISI 316L with double fixed coil	C	132,3	1474,3	36,3	22,5	-
DSFI02000R		Stainless steel boiler AISI 316L with double fixed coil	C	142,5	1951,9	47,0	29,4	-
DSFI00800F		Stainless steel boiler AISI 316L with double fixed coil	D	148,2	749,8	26,5	14,7	-
DSFI01000F		Stainless steel boiler AISI 316L with double fixed coil	D	163,6	931,5	29,4	18,6	-
DSFI01500F	Stainless steel boiler AISI 316L with double fixed coil	D	198,6	1474,3	36,3	22,5	-	
DSFI02000F	Stainless steel boiler AISI 316L with double fixed coil	D	228,4	1951,9	47,0	29,4	-	