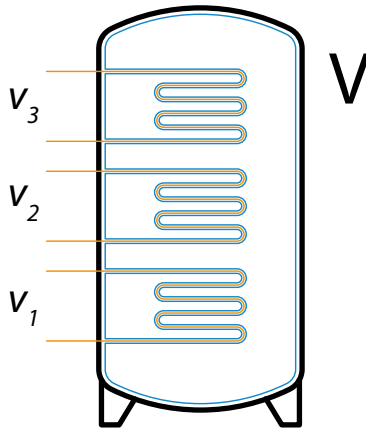


MEASUREMENTS TABLE

for the purposes of the Directive (ErP) 2009/125 / EC

Accumulators/Sanitary Hot Water boilers



V = Total volume
of sanitary accumulator

$V_1; V_2; V_3$ = Total volume
of the exchanger
and its support structure

Pag.	Code	Description	Energetic Class	Dissipation S [W]	Capacity			
					V [Lt]	v1 [Lt]	v2 [Lt]	v3 [Lt]
36 - 39	ATX00200R	Thermal storage steel AISI 316L	C	62,2	191,2	-	-	-
	ATX00300R	Thermal storage steel AISI 316L	C	73,7	291,7	-	-	-
	ATX00500R	Thermal storage steel AISI 316L	C	86,1	501,7	-	-	-
	ATX00800R	Thermal storage steel AISI 316L	C	113,8	754,9	-	-	-
	ATX01000R	Thermal storage steel AISI 316L	C	117,6	936,6	-	-	-
	ATX01500R	Thermal storage steel AISI 316L	C	136,7	1478,0	-	-	-
	ATX02000R	Thermal storage steel AISI 316L	C	149,2	1958,6	-	-	-
	ATX02500R	Thermal storage steel AISI 316L	-	-	2502,1	-	-	-
	ATX03000R	Thermal storage steel AISI 316L	-	-	2966,1	-	-	-
	ATX04000R	Thermal storage steel AISI 316L	-	-	3903,0	-	-	-
36 - 39	ATX05000R	Thermal storage steel AISI 316L	-	-	5013,8	-	-	-
	ATX00800F	Thermal storage steel AISI 316L	D	156,1	754,9	-	-	-
	ATX01000F	Thermal storage steel AISI 316L	D	171,4	936,6	-	-	-
	ATX01500F	Thermal storage steel AISI 316L	D	203,0	1478,0	-	-	-
	ATX02000F	Thermal storage steel AISI 316L	D	235,2	1958,6	-	-	-
	ATX02500F	Thermal storage steel AISI 316L	-	-	2502,1	-	-	-
	ATX03000F	Thermal storage steel AISI 316L	-	-	2966,1	-	-	-
	ATX04000F	Thermal storage steel AISI 316L	-	-	3903,0	-	-	-
	ATX05000F	Thermal storage steel AISI 316L	-	-	5013,8	-	-	-

Pag.	Code	Description	Energetic Class	Dissipation S [W]	Capacity			
					V [Lt]	v1 [Lt]	v2 [Lt]	v3 [Lt]
10 - 13	DSFI01000R	Stainless steel boiler AISI 316L with double fixed coil	C	109,7	931,5	29,4	18,6	-
	DSFI01500R	Stainless steel boiler AISI 316L with double fixed coil	C	132,3	1474,3	36,3	22,5	-
	DSFI02000R	Stainless steel boiler AISI 316L with double fixed coil	C	142,5	1951,9	47,0	29,4	-
	DSFI00800F	Stainless steel boiler AISI 316L with double fixed coil	D	148,2	749,8	26,5	14,7	-
	DSFI01000F	Stainless steel boiler AISI 316L with double fixed coil	D	163,6	931,5	29,4	18,6	-
	DSFI01500F	Stainless steel boiler AISI 316L with double fixed coil	D	198,6	1474,3	36,3	22,5	-
	DSFI02000F	Stainless steel boiler AISI 316L with double fixed coil	D	228,4	1951,9	47,0	29,4	-
14 - 17	SFV00150R	Enamelled boiler with a single fixed coil	B	49,7	148,0	8,3	-	-
	SFV00200R	Enamelled boiler with a single fixed coil	B	56,7	189,8	8,8	-	-
	SFV00300R	Enamelled boiler with a single fixed coil	B	68,2	290,3	12,7	-	-
	SFV00400R	Enamelled boiler with a single fixed coil	B	72,0	414,9	15,7	-	-
	SFV00500R	Enamelled boiler with a single fixed coil	B	80,6	500,3	19,1	-	-
	SFV00800R	Enamelled boiler with a single fixed coil	C	105,9	749,8	26,5	-	-
	SFV01000R	Enamelled boiler with a single fixed coil	C	109,7	931,5	29,4	-	-
	SFV01500R	Enamelled boiler with a single fixed coil	C	132,3	1474,3	36,3	-	-
	SFV02000R	Enamelled boiler with a single fixed coil	C	142,2	1951,9	47,0	-	-
	SFV00800F	Enamelled boiler with a single fixed coil	D	148,2	749,8	26,5	-	-
	SFV01000F	Enamelled boiler with a single fixed coil	D	163,6	931,5	29,4	-	-
	SFV01500F	Enamelled boiler with a single fixed coil	D	198,6	1474,3	36,3	-	-
	SFV02000F	Enamelled boiler with a single fixed coil	D	224,3	1951,9	47,0	-	-
	DSFV00200R	Enamelled boiler with double fixed coil	B	56,7	189,8	8,8	4,9	-
	DSFV00300R	Enamelled boiler with double fixed coil	B	68,2	290,3	12,7	8,3	-
	DSFV00400R	Enamelled boiler with double fixed coil	B	72,0	414,9	15,7	8,8	-
	DSFV00500R	Enamelled boiler with double fixed coil	B	80,6	500,3	19,1	10,8	-
	DSFV00800R	Enamelled boiler with double fixed coil	C	105,9	749,8	26,5	14,7	-
	DSFV01000R	Enamelled boiler with double fixed coil	C	109,7	931,5	29,4	18,6	-
	DSFV01500R	Enamelled boiler with double fixed coil	C	132,3	1474,3	36,3	22,5	-
	DSFV02000R	Enamelled boiler with double fixed coil	C	142,2	1951,9	47,0	29,4	-
	DSFV00800F	Enamelled boiler with double fixed coil	D	148,2	749,8	26,5	14,7	-
	DSFV01000F	Enamelled boiler with double fixed coil	D	163,6	931,5	29,4	18,6	-
DSFV01500F	Enamelled boiler with double fixed coil	D	198,6	1474,3	36,3	22,5	-	
DSFV02000F	Enamelled boiler with double fixed coil	D	224,3	1951,9	47,0	29,4	-	
18 - 21	EASYV00200R	Double fixed coil boiler with solar module	B	56,7	189,8	9,8	5,9	-
	EASYV00300R	Double fixed coil boiler with solar module	B	68,2	290,3	14,7	9,8	-
	EASYV00500R	Double fixed coil boiler with solar module	B	80,6	500,3	20,6	11,8	-
	EASYX00200R	Double fixed coil boiler with solar module	B	56,7	189,8	9,8	5,9	-
	EASYX00300R	Double fixed coil boiler with solar module	B	68,2	290,3	14,7	9,8	-
	EASYX00500R	Double fixed coil boiler with solar module	B	80,6	500,3	20,6	11,8	-
22 - 27	WP1X00300R	Steel AISI 316L boiler for heat pumps	B	69,2	290,3	34,3	-	-
	WP1X00400R	Steel AISI 316L boiler for heat pumps	B	73,0	414,9	44,1	-	-
	WP1X00500R	Steel AISI 316L boiler for heat pumps	B	81,6	500,3	55,9	-	-
	WP1X00600R	Steel AISI 316L boiler for heat pumps	C	90,2	585,7	55,9	-	-
	WP1X00800R	Steel AISI 316L boiler for heat pumps	C	106,6	749,8	58,8	-	-
	WP1X01000R	Steel AISI 316L boiler for heat pumps	C	110,5	931,5	58,8	-	-
	WP1X01500R	Steel AISI 316L boiler for heat pumps	C	133,0	1474,3	73,5	-	-
	WP1X02000R	Steel AISI 316L boiler for heat pumps	C	143,3	1951,9	101,9	-	-
	WP1X00800F	Steel AISI 316L boiler for heat pumps	D	149,0	749,8	58,8	-	-

Pag.	Code	Description	Energetic Class	Dissipation S [W]	Capacity			
					V [Lt]	v1 [Lt]	v2 [Lt]	v3 [Lt]
22 - 27	WP1X01000F	Steel AISI 316L boiler for heat pumps	D	164,3	931,5	58,8	-	-
	WP1X01500F	Steel AISI 316L boiler for heat pumps	D	199,3	1474,3	73,5	-	-
	WP1X02000F	Steel AISI 316L boiler for heat pumps	D	229,2	1951,9	101,9	-	-
	WP2X00300R	Steel AISI 316L Boiler for heat and solar pumps	B	69,2	290,3	9,8	23,5	-
	WP2X00400R	Steel AISI 316L Boiler for heat and solar pumps	B	73,0	414,9	11,8	29,4	-
	WP2X00500R	Steel AISI 316L Boiler for heat and solar pumps	B	81,6	500,3	14,7	41,2	-
	WP2X00600R	Steel AISI 316L Boiler for heat and solar pumps	C	90,2	585,7	19,6	49,0	-
	WP2X00800R	Steel AISI 316L Boiler for heat and solar pumps	C	106,6	749,8	19,6	51,0	-
	WP2X01000R	Steel AISI 316L Boiler for heat and solar pumps	C	110,5	931,5	32,3	58,8	-
	WP2X01500R	Steel AISI 316L Boiler for heat and solar pumps	C	133,0	1474,3	35,3	73,5	-
	WP2X02000R	Steel AISI 316L Boiler for heat and solar pumps	C	143,3	1951,9	53,9	83,3	-
	WP2X00800F	Steel AISI 316L Boiler for heat and solar pumps	D	149,0	749,8	19,6	51,0	-
	WP2X01000F	Steel AISI 316L Boiler for heat and solar pumps	D	164,3	931,5	32,3	58,8	-
	WP2X01500F	Steel AISI 316L Boiler for heat and solar pumps	D	199,3	1474,3	35,3	73,5	-
	WP2X02000F	Steel AISI 316L Boiler for heat and solar pumps	D	229,2	1951,9	53,9	83,3	-
28 - 33	WP1V00300R	Enamelled boiler for heat pumps	B	69,2	290,3	34,3	-	-
	WP1V00400R	Enamelled boiler for heat pumps	B	73,0	414,9	44,1	-	-
	WP1V00500R	Enamelled boiler for heat pumps	B	81,6	500,3	55,9	-	-
	WP1V00600R	Enamelled boiler for heat pumps	C	90,2	585,7	55,9	-	-
	WP1V00800R	Enamelled boiler for heat pumps	C	106,6	749,8	58,8	-	-
	WP1V01000R	Enamelled boiler for heat pumps	C	110,5	931,5	58,8	-	-
	WP1V01500R	Enamelled boiler for heat pumps	C	133,0	1474,3	73,5	-	-
	WP1V00800F	Enamelled boiler for heat pumps	D	149,0	749,8	58,8	-	-
	WP1V01000F	Enamelled boiler for heat pumps	D	164,3	931,5	58,8	-	-
	WP1V01500F	Enamelled boiler for heat pumps	D	199,3	1474,3	73,5	-	-
	WP2V00300R	Enamelled boiler for heat and solar pumps	B	69,2	290,3	9,8	23,5	-
	WP2V00400R	Enamelled boiler for heat and solar pumps	B	73,0	414,9	11,8	29,4	-
	WP2V00500R	Enamelled boiler for heat and solar pumps	B	81,6	500,3	14,7	41,2	-
	WP2V00600R	Enamelled boiler for heat and solar pumps	C	90,2	585,7	19,6	49,0	-
	WP2V00800R	Enamelled boiler for heat and solar pumps	C	106,6	749,8	19,6	51,0	-
	WP2V01000R	Enamelled boiler for heat and solar pumps	C	110,5	931,5	32,3	58,8	-
	WP2V01500R	Enamelled boiler for heat and solar pumps	C	133,0	1474,3	35,3	73,5	-
	WP2V00800F	Enamelled boiler for heat and solar pumps	D	149,0	749,8	19,6	51,0	-
	WP2V01000F	Enamelled boiler for heat and solar pumps	D	164,3	931,5	32,3	58,8	-
	WP2V01500F	Enamelled boiler for heat and solar pumps	D	199,3	1474,3	35,3	73,5	-
34 - 35	NR0W ECO V 00200R	Boiler with integrated heat pump	A	-	200,3	-	-	-
	NR0W ECO V 00280R	Boiler with integrated heat pump	A	-	274,7	-	-	-
	NR1W ECO V 00200R	Boiler with integrated heat pump	A	-	200,3	-	-	-
	NR1W ECO V 00280R	Boiler with integrated heat pump	A	-	274,7	-	-	-
	NR2W ECO V 00280R	Boiler with integrated heat pump	A	-	274,7	-	-	-
36 - 39	ATX00200R	Thermal storage steel AISI 316L	C	62,2	191,2	-	-	-
	ATX00300R	Thermal storage steel AISI 316L	C	73,7	291,7	-	-	-
	ATX00500R	Thermal storage steel AISI 316L	C	86,1	501,7	-	-	-
	ATX00800R	Thermal storage steel AISI 316L	C	113,8	754,9	-	-	-
	ATX01000R	Thermal storage steel AISI 316L	C	117,6	936,6	-	-	-
	ATX01500R	Thermal storage steel AISI 316L	C	136,7	1478,0	-	-	-
	ATX02000R	Thermal storage steel AISI 316L	C	149,2	1958,6	-	-	-

Pag.	Code	Description	Energetic Class	Dissipation S [W]	Capacity			
					V [Lt]	v1 [Lt]	v2 [Lt]	v3 [Lt]
36 - 39	ATX02500R	Thermal storage steel AISI 316L	-	-	2502,1	-	-	-
	ATX03000R	Thermal storage steel AISI 316L	-	-	2966,1	-	-	-
	ATX04000R	Thermal storage steel AISI 316L	-	-	3903,0	-	-	-
	ATX05000R	Thermal storage steel AISI 316L	-	-	5013,8	-	-	-
	ATX00800F	Thermal storage steel AISI 316L	D	156,1	754,9	-	-	-
	ATX01000F	Thermal storage steel AISI 316L	D	171,4	936,6	-	-	-
	ATX01500F	Thermal storage steel AISI 316L	D	203,0	1478,0	-	-	-
	ATX02000F	Thermal storage steel AISI 316L	D	235,2	1958,6	-	-	-
	ATX02500F	Thermal storage steel AISI 316L	-	-	2502,1	-	-	-
	ATX03000F	Thermal storage steel AISI 316L	-	-	2966,1	-	-	-
	ATX04000F	Thermal storage steel AISI 316L	-	-	3903,0	-	-	-
	ATX05000F	Thermal storage steel AISI 316L	-	-	5013,8	-	-	-
40 - 43	ATV00200R	Enamelled thermal storage	C	62,2	191,2	-	-	-
	ATV00300R	Enamelled thermal storage	C	73,7	291,7	-	-	-
	ATV00500R	Enamelled thermal storage	C	86,1	501,7	-	-	-
	ATV00800R	Enamelled thermal storage	C	113,8	754,9	-	-	-
	ATV01000R	Enamelled thermal storage	C	117,6	936,6	-	-	-
	ATV01500R	Enamelled thermal storage	C	136,7	1478,0	-	-	-
	ATV02000R	Enamelled thermal storage	C	149,0	1958,6	-	-	-
	ATV00800F	Enamelled thermal storage	D	156,1	754,9	-	-	-
	ATV01000F	Enamelled thermal storage	D	171,4	936,6	-	-	-
	ATV01500F	Enamelled thermal storage	D	203,0	1478,0	-	-	-
	ATV02000F	Enamelled thermal storage	D	231,0	1958,6	-	-	-
	ATK02000R	Keramtech thermal storage	C	151,4	1962,5	-	-	-
	ATK02500R	Keramtech thermal storage	-	-	2506,0	-	-	-
	ATK03000R	Keramtech thermal storage	-	-	2970,0	-	-	-
	ATK04000R	Keramtech thermal storage	-	-	3906,9	-	-	-
	ATK05000R	Keramtech thermal storage	-	-	5017,7	-	-	-
	ATK02000F	Keramtech thermal storage	E	237,3	1962,5	-	-	-
	ATK02500F	Keramtech thermal storage	-	-	2506,0	-	-	-
	ATK03000F	Keramtech thermal storage	-	-	2970,0	-	-	-
	ATK04000F	Keramtech thermal storage	-	-	3906,9	-	-	-
ATK05000F	Keramtech thermal storage	-	-	5017,7	-	-	-	
44 - 49	PRX00200 35 R	Rapid preparer AISI 316L with inspection exchanger	C	62,2	191,2	-	-	-
	PRX00300 35 R	Rapid preparer AISI 316L with inspection exchanger	C	73,7	291,7	-	-	-
	PRX00500 35 R	Rapid preparer AISI 316L with inspection exchanger	C	86,1	501,7	-	-	-
	PRX00800 35 R	Rapid preparer AISI 316L with inspection exchanger	C	113,8	754,9	-	-	-
	PRX01000 35 R	Rapid preparer AISI 316L with inspection exchanger	C	117,6	936,6	-	-	-
	PRX01500 35 R	Rapid preparer AISI 316L with inspection exchanger	C	136,7	1478,0	-	-	-
	PRX02000 35 R	Rapid preparer AISI 316L with inspection exchanger	C	149,2	1958,6	-	-	-
	PRX00800 35 F	Rapid preparer AISI 316L with inspection exchanger	D	156,1	754,9	-	-	-
	PRX01000 35 F	Rapid preparer AISI 316L with inspection exchanger	D	171,4	936,6	-	-	-
	PRX01500 35 F	Rapid preparer AISI 316L with inspection exchanger	D	203,0	1478,0	-	-	-
	PRX02000 35 F	Rapid preparer AISI 316L with inspection exchanger	D	235,2	1958,6	-	-	-
	PRX00200 70 R	Rapid preparer AISI 316L with inspection exchanger	C	62,2	191,2	-	-	-
	PRX00300 70 R	Rapid preparer AISI 316L with inspection exchanger	C	73,7	291,7	-	-	-
	PRX00500 70 R	Rapid preparer AISI 316L with inspection exchanger	C	86,1	501,7	-	-	-